

DATASHEET

FlexiBowl[®] 650 C/CC

Flexible feeding system for all parts measuring between **10** and **110 mm** and weighing up to **170 g**

FlexiBowl[®] 650C/CC can feed products of any geometry, surface and material. It is compatible with all industrial robots and vision systems. One FlexiBowl[®] can feed entire ranges of parts measuring 10 to 110 mm and weighing up to 170 g, replacing the need for the numerous units used in conventional systems.

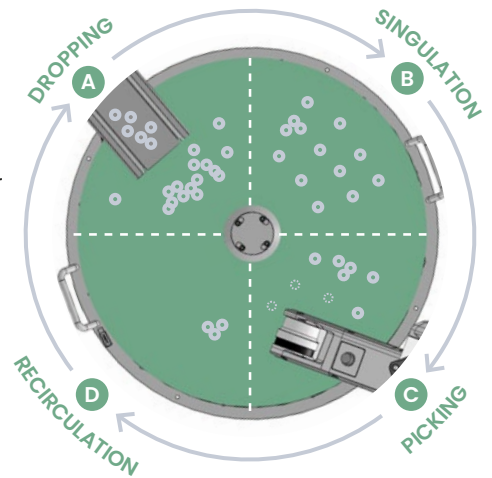


ADVANTAGES

- High performance
- Compatible with 99.9% of parts
- Maximum load 7 kg
- Essential design, robust construction
- Cleanroom option (ISO 5)
- Remote-controlled electronics for dirty environments
- Rapid, intuitive integration
- Several singulation options
- Accurate location of parts
- Suitable for delicate parts
- Large area for singulation and picking
- Quick emptying option
- Patented
- Low maintenance

HOW IT WORKS

Parts dropping, singulation and picking take place simultaneously in dedicated sectors. For greater productivity. In FlexiTrack, all four operations take place simultaneously.



OPERATING MODES

Traditional

Parts are singulated by the **combined action of bidirectional** rotation and the pulse generator. Once the parts are separated, the robot uses the coordinates sent by the vision system to locate and pick them up, while the disc is not moving.

PRECISION	■■■■■	LAYOUT	■■■
PERFORMANCE	■■■■■	EASY TO INTEGRATE	■■■■■
SINGULATION	■■■■■		

FlexiTrack

FlexiTrack enables **circular conveyor tracking** of the FlexiBowl[®]. In the FlexiTrack mode, the vision system operates in the sector just ahead of the robot picking area; processing for the vision system and the robot is simultaneous.

PRECISION	■■■■■	LAYOUT	■■■■■
PERFORMANCE	■■■■■	EASY TO INTEGRATE	■■■■■
SINGULATION	■■■■■		

Multiple Parts Feeding

This mode permits simultaneous feeding of different parts. One FlexiBowl[®] can reliably **handle up to 6 different part types**, minimizing layout and production costs.

PRECISION	■■■■■	LAYOUT	■■■■■
PERFORMANCE	■■■■■	EASY TO INTEGRATE	■■■■■
SINGULATION	■■■■■		



DATASHEET

FlexiBowl® 650 C/CC

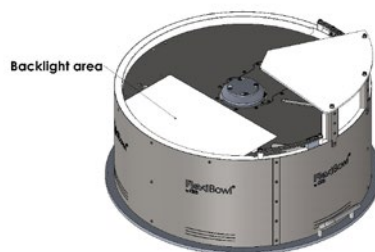
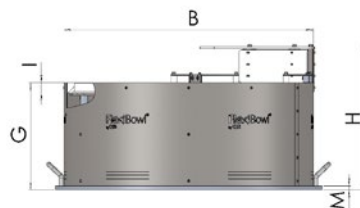
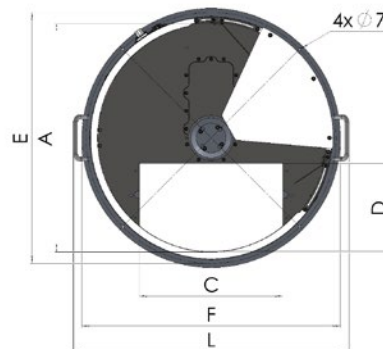
Flexible feeding system for all parts measuring between **10** and **110 mm** and weighing up to **170 g**

SPECIFICATIONS

Dimensions of parts	10<x<110 mm
Weight of parts	<170 g
Backlit area	922 cm2
Load capacity	7 kg
Bulk feeder/hopper load capacity	20/40 dm3
Overall dimensions	778 mm
Picking height	270 mm
Installation temperature	5-45 °C
Installation position	Floor
Air pressure (dry and filtered)	6 bars - tube Ø 6 mm
Electronic power supply	110-230 Vca
Red backlight wavelength	630 nm
Infrared backlight wavelength	850 nm
Absorption	150 W
Data connection	- Ethernet IP - Digital I/O - TCP/IP-UDP - Gateway for other protocols

DIMENSIONS

A	662 mm	G	296 mm
B	692 mm	H	362 mm
C	404 mm	I	28 mm
D	250 mm	L	788 mm
W	716 mm	M	10 mm
F	740 mm	Weight	54 Kg



OPTIONAL ACCESSORIES

- ▶ Analog electro pneumatic regulator
- ▶ Calibration plate
- ▶ Camera bracket base stand
- ▶ Cleanroom version
- ▶ Custom grooved discs
- ▶ Diverters
- ▶ External swivel gripper
- ▶ FlexiTrack
- ▶ Lighting (White, Red, IR)
- ▶ Multiple parts feeding
- ▶ Quick emptying
- ▶ Remote control box
- ▶ Rotary discs (including FDA-compatible and anti-static)

PLUG-INS

FlexiBowl is compatible with all TCP/IP socket languages and offers plug-ins for a vast range of robots, including:

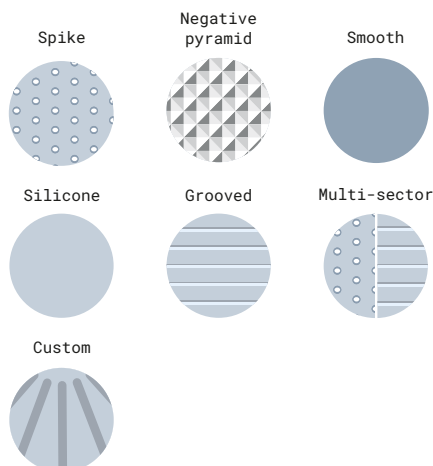
- ▶ ABB
- ▶ Denso
- ▶ Doosan
- ▶ Epson
- ▶ Fanuc
- ▶ Kawasaki
- ▶ Kuka
- ▶ Mecademic
- ▶ Mitsubishi Electric
- ▶ Omron
- ▶ Stäubli
- ▶ Techman Robot
- ▶ Universal Robots

PLC PLUG-INS AVAILABLE:

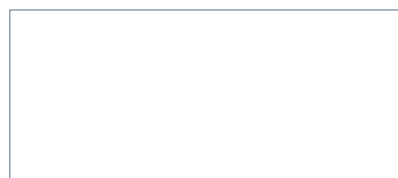
- ▶ Allen – Bradley
- ▶ Omron
- ▶ Siemens

ROTARY DISC TYPES

Including FDA-compatible and anti-static



CONTACTS



Ars s.r.l.
Via G. Vico, 7
52100 Arezzo
Tel: +39.0575.398611
P.I. 01739760518
sales@arsautomation.com
www.flexibowl.com

