

## Stands

(ST0 / F1 / F2 / F3 / F1NT / F2NT / F3NT / FNT)

## Double column stands

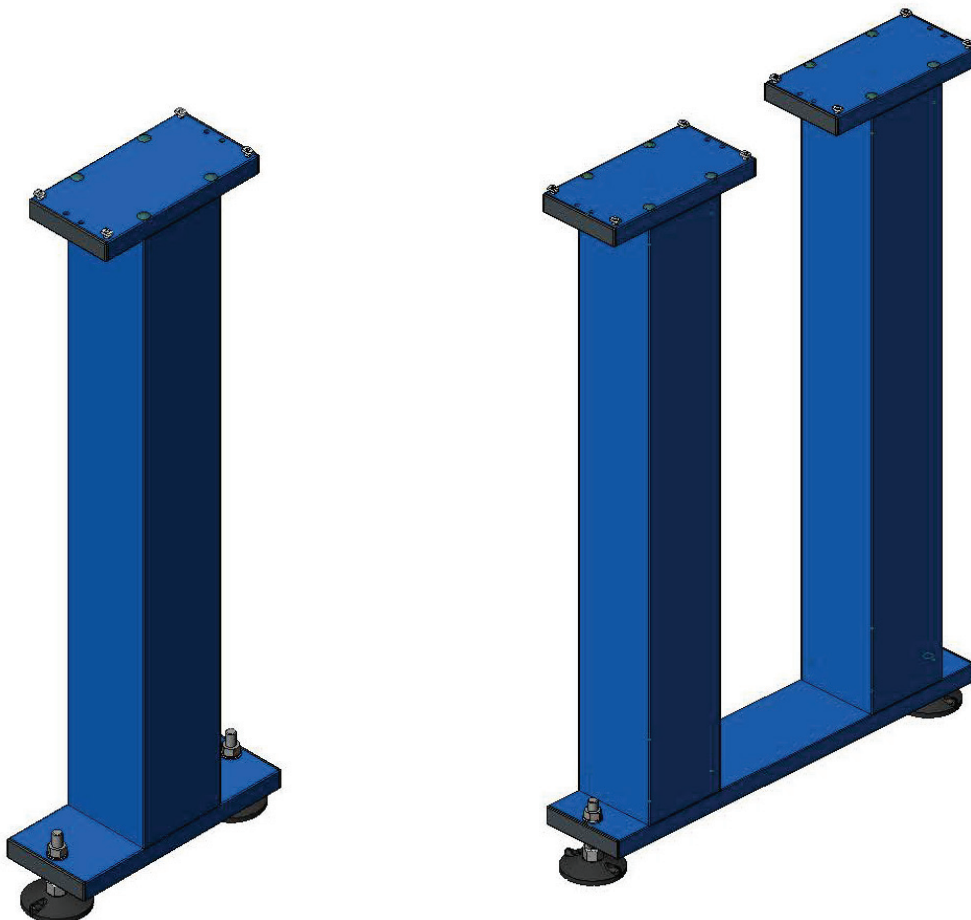
(DST0 / DF1 / DF2 / DF3 / DF4 / DF1NT / DF2NT /  
DF3NT / DF4NT / DFNT)

## SOFT MOVE

STEIN Workpiece Transport System

## Operating instructions

Attention all installation, operating and maintenance personnel -  
always keep these instructions by the stand!



© by STEIN Automation

The copyright for these documents is reserved by STEIN Automation.

Original language of the document: German

These documents may not be altered, distributed, reproduced or transferred to third parties without the prior written permission of STEIN Automation.

**STEIN Automation GmbH & Co. KG**

Carl-Haag-Straße 26  
78054 VS-Schwenningen, Germany

Telephone: (+)49 (0)7720 / 8307 – 0

Publication date: January 2017

The right to make changes in design and construction is reserved.

## Contents

<b>1</b>	<b>Abbreviations and symbols .....</b>	<b>4</b>
1.1	Explanation of safety and warning notices .....	4
<b>2</b>	<b>Introduction .....</b>	<b>5</b>
2.1	Short description.....	6
2.2	Initial inspection.....	8
2.3	Complaints.....	8
2.4	Warranty .....	8
<b>3</b>	<b>Safety instructions.....</b>	<b>9</b>
3.1	General safety information .....	9
3.2	Appropriate use and liability exclusions .....	9
3.3	Residual danger .....	9
3.4	Safety information for installation and repair work.....	10
<b>4</b>	<b>Technical description .....</b>	<b>11</b>
4.1	Scope of delivery.....	11
4.2	Function.....	11
4.3	Sub-assemblies .....	12
<b>5</b>	<b>Installation of the stand .....</b>	<b>16</b>
5.1	Procedure .....	16
5.2	Preparation .....	16
5.3	Stand installation .....	17
5.4	Connection of the Slave NT .....	21
5.5	Connection of the power unit to the mains supply .....	21
<b>6</b>	<b>Initial operation .....</b>	<b>22</b>
<b>7</b>	<b>Stand operation .....</b>	<b>22</b>
<b>8</b>	<b>Faults .....</b>	<b>22</b>
<b>9</b>	<b>Cleaning, inspection, maintenance .....</b>	<b>23</b>
9.1	Cleaning.....	23
9.2	Inspection .....	24
9.3	Maintenance .....	24
<b>10</b>	<b>Dimensions sheet.....</b>	<b>25</b>
<b>11</b>	<b>Spare parts.....</b>	<b>26</b>
11.1	300 580 001 Stand for SOFT MOVE.....	26
11.2	300 581 001 Stand for SOFT MOVE with Slave NT .....	28
11.3	300 600 001 Double stand for SOFT MOVE with / without power unit .....	31
11.4	300 601 001 Double stand for SOFT MOVE with Slave NT.....	34
11.5	Installation duct for stands with slave.....	38
11.6	Installation duct for stands with slave and gateway .....	40
11.7	Stand attachment .....	42
<b>12</b>	<b>Appendix.....</b>	<b>43</b>
12.1	Technical data.....	43

## 1 Abbreviations and symbols

- Action symbol
- 1 Symbol for actions which must be carried out in a specified sequence.
- ⇒ Consequence or result of an action
- Count

Fig.	Figure
BA	Operating instructions
BE	Belt element
ST	Stands
DST	Double column stands

### i

This sign indicates information that will allow the stands to be used more effectively and more economically.

The symbols used in the operating instructions for safety and hazard warnings are described in detail in chapter 3.

### 1.1 Explanation of safety and warning notices

The following safety signs explain all the situations or actions where danger to life and limb for machine operators or their colleagues exists.

Strictly comply with these instructions and act with particular care in these cases. Pass all safety notices on to all other users.



**DANGER!**

**The symbol with the added designation DANGER describes a directly impending hazards!**

**The hazard results in serious injury to people or even fatalities.**



**WARNING!**

**The symbol with the added designation WARNING describes a potentially impending hazards!**

**The hazard may result in serious injury to people or even fatalities.**



**CAUTION!**

**The symbol with the added designation CAUTION describes a potentially hazardous situation!**

**The hazard can result in injury to people.**

The safety signs appear frequently in the text with a picture to explain what the source of the hazard is.



**CRUSHING HAZARD!**

**This symbol gives warning of a location where there is a risk of being crushed.**



**HIGH ELECTRICAL VOLTAGE!**

**This symbol gives warning of possible electric shock.**

It appears for all working and operating procedures that must be followed precisely, in order to avoid injury to personnel or damage to the system through high electrical voltage.

**Other warning signs:**



**ATTENTION!**

This symbol indicates warnings which, if ignored, will cause a hazard to the machine.



**Protective clothing must be worn!**

Wear your personal safety clothing:  
Safety footwear, hard hat, goggles and safety gloves.



**Environmental protection!**

This sign indicates warnings that will help to avoid harming the environment.

## 2 Introduction

The safety of all persons who come into contact with the stands depends fundamentally on knowing how the stands function. Therefore:

**Read these operating instructions before using the unit for the first time.**

These operating instructions contain important information which will ensure the correct, economical and safe operation of your stands.



If not specifically mentioned as deviating, then the same information applies to the stands that are not described in detail as for the stand described below.

## 2.1 Short description

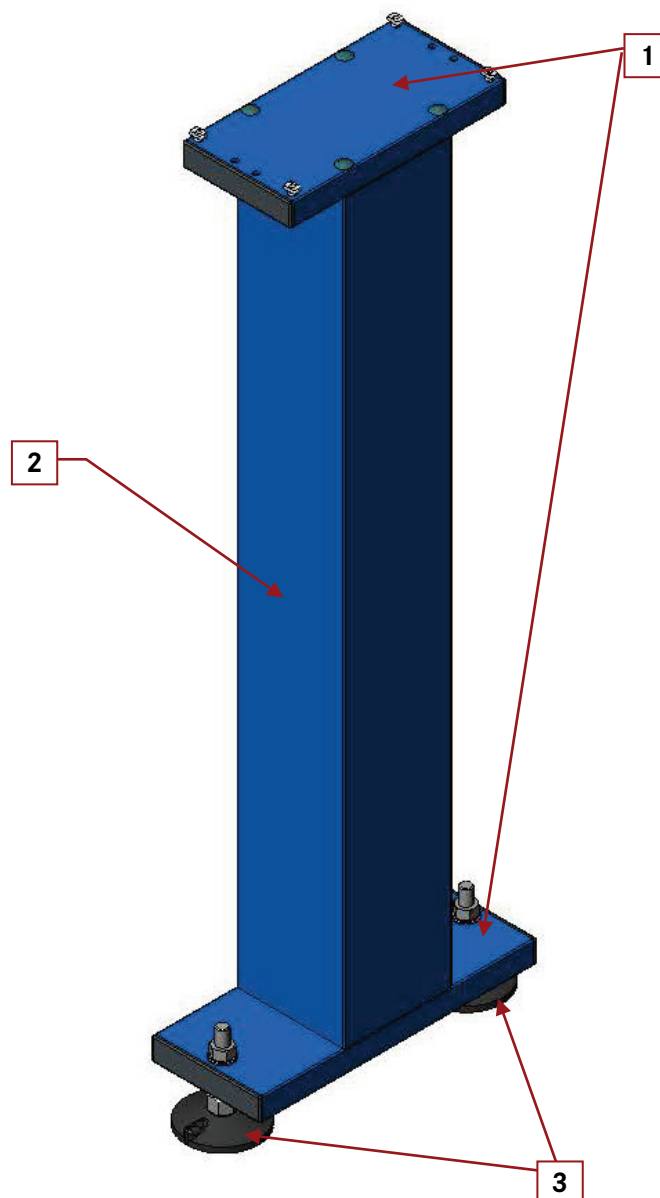
Stands are installed in the STEIN 300 Workpiece Transport System. The stands carry the belt elements. Additionally further components may be built into the stand housing.

In conjunction with the Workpiece Transport System, the stand provides:

- The support for the belt elements
- Fastening for the ring main channel
- The fitting of a power unit (optional)
- The fitting of a Slave NT unit (optional).

Fig. 2-1:  
Stand ST0  
- components

- 1** Cross sections
- 2** Stand base section
- 3** Adjustable base



### Descriptions and types of stands.

**i**

Depending on the WTS application, the stands are available in different configurations.

- Stands
- Double column stands
- Stands with power unit and/or
- Stands with Slave NT

Description	Art.-No.	Power unit	Slave NT
ST0	300 003 001	x	x
F1	300 580 001	1	x
F2	300 700 001	2	x
F3	300 718 001	3	x
F1NT	300 701 001	1	1
F2NT	300 702 001	2	1
F3NT	300 719 001	3	1
FNT	300 581 001	x	1
DST0	300 032 001	x	x
DF1	300 600 001	1	x
DF2	300 703 001	2	x
DF3	300 704 001	3	x
DF4	300 705 001	4	x
DF1NT	300 706 001	1	1
DF2NT	300 707 001	2	1
DF3NT	300 738 001	3	1
DF4NT	300 764 001	4	1
DFNT	300 601 001	x	1

## 2.2 Initial inspection

The stand is transported secured on a wooden pallet.

- Unpack all the components supplied.



### **Environmental protection!**

Dispose of all packaging material in an environmentally responsible way.

Then carry out an initial inspection.

Check that:

- all components detailed on the delivery note have been supplied
- components have not been damaged or lost in transit.

## 2.3 Complaints

In order for claims for damage caused in transit to be accepted, follow this procedure:

- Inform the freight company.
- Draw up a damage report giving the following details
  - Name and address of recipient
  - Item or order number
  - A description of the damage.
- Send components, if possible in their original packaging, with the damage report, back to the manufactures.

## 2.4 Warranty

For the stand and its spare parts we grant the legal guarantee period or rather the defined guarantee period in the contract, starting with the day of delivery.

During this warranty period we will replace any components defective in manufacture or materials free of charge.

STEIN Automation's general warranty and guarantee conditions also apply.



## 3 Safety instructions

### 3.1 General safety information

- Stands from STEIN Automation are high quality products, manufactured to recognised technical specifications.  
The stands left the manufacturing plant in a perfectly safe technical condition!
- All models of the stands comply with the requirements of UVV, the German accident prevention regulations.
- To maintain this situation, installation staff, users and service technicians must observe the notices and warnings contained in these operating instructions.
- Stands must only be installed and repaired by authorised personnel who have been trained by STEIN Automation.
- Only genuine spare parts from STEIN Automation may be used when carrying out repairs to the stands.

### 3.2 Appropriate use and liability exclusions

The stands must only

- Be built into STEIN 300 belt systems  
Compatibility is only assured with STEIN 300 belt modules.
- Be used for suitable BE with the permitted dimensions and weights
- Be used indoors
- Be operated in dry areas
- Be employed in areas where there is no risk of explosion
- Be used for the mounting of Stein belt elements with the permitted weights.

Unauthorised interventions, alterations or repairs carried out to the stands invalidate the warranty.

Additional fittings to the stands:

- must only be undertaken after consulting STEIN Automation
- must not alter the belt element geometry in any way.

STEIN Automation accepts no liability for any damage caused by unauthorised interventions, alterations or repairs.

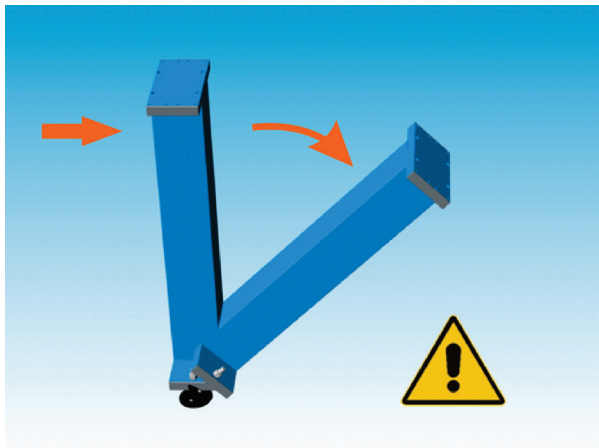
### 3.3 Residual danger

The stands are manufactured using state-of-the-art technology and to recognised safety standards. Despite that, their use can lead to dangerous situations for users or third parties arising or to impairments of the system and other material assets.

If used improperly, amongst others, the following injuries can result:

- Knock / blow:
  - when the stands are not mounted, risk of them falling over!

Fig. 3-1:  
Knock / blow



### 3.4 Safety information for installation and repair work



**DANGER!**

**In the area of the belt modules due to an unexpected start up!**



**DANGER!**

**HIGH ELECTRICAL VOLTAGE!**

**Risk of electric shocks from function stands and stands with integrated aluminium cable ducts with earth cables!**

- 1 Before carrying out any installation or repair work, disconnect the relevant function stand from its electrical power supply.
- 2 Put up warning signs to prevent the system being started up while installation and repair work is being done.
- 3 Carry out the work
  - in accordance with the descriptions in this documentation,
  - complying with relevant safety and accident prevention regulations and
  - in a technically correct manner and with the greatest possible accuracy.
- 4 If Stein aluminium cable ducts are fitted, they must be earthed by a qualified electrician.
- 5 After completing installation or repair work, carry out a test run of the entire system and check that all safety features are functioning correctly.



**DANGER!**

**Never operate the WTS using**

- **defective safety equipment and / or**
- **damaged components / fittings / cables!**

## 4 Technical description

### 4.1 Scope of delivery

The stand is delivered with an adjustable base.

Depending on the stand configuration a power unit and / or Slave NT is included.

### 4.2 Function

The stand carries the belt element.

In addition, a power unit and Slave NT can be fitted to the stand.



The number of motors and transfer units determines the configuration of the individual stands.



For more details regarding the power unit and Slave NT, please refer to the power unit operating manual and the technical description of the Slave.



The description module is for the belt elements assembly or the transverse section element with stand.

## 4.3 Sub-assemblies

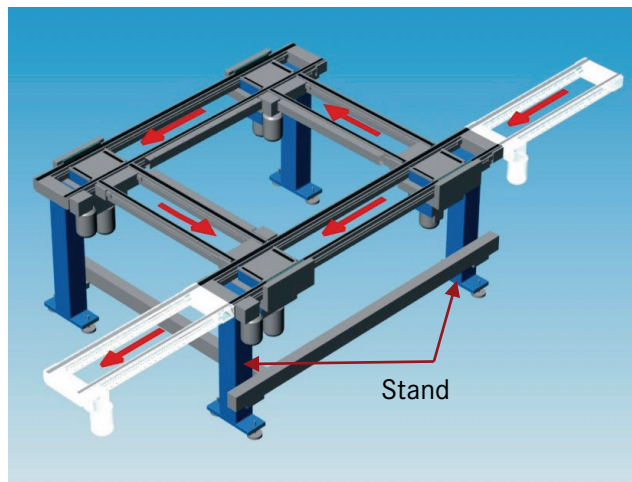
### 4.3.1 Stands and double column stands



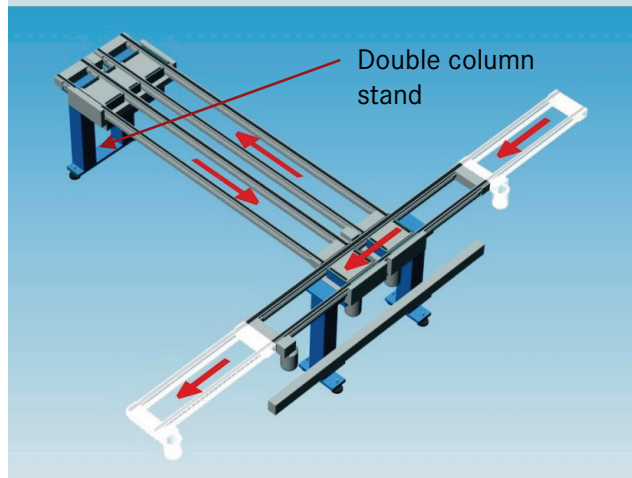
Depending on the workstation type, different sorts of stand are required.

Fig. 4-1:  
Stands for workstation  
types

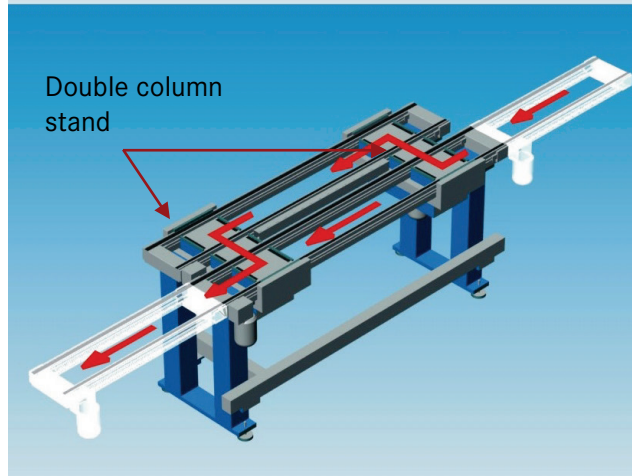
A - workstation



B - workstation



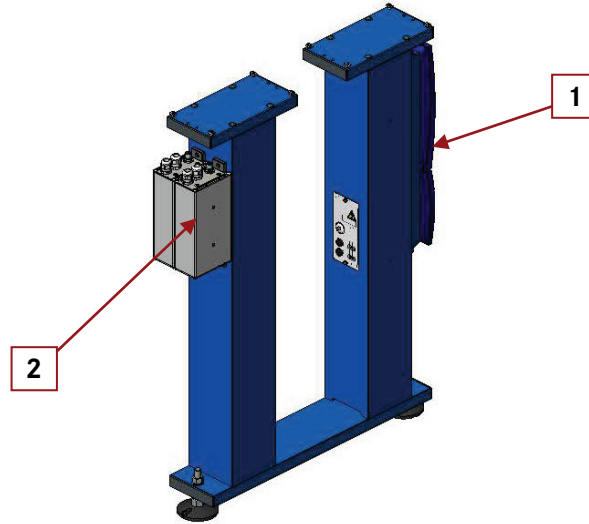
C - workstation



### 4.3.2 Components inside the stands

Fig. 4-2:  
Additional Components  
inside the stand:

- 4 „Slave“
- 5 Power unit for  
EC drive motor



### 4.3.3 Configuration of stands

Fig. 4-3:  
Types of stands

- 1 Stand - ST0
- 2 Double column stand -  
DST0

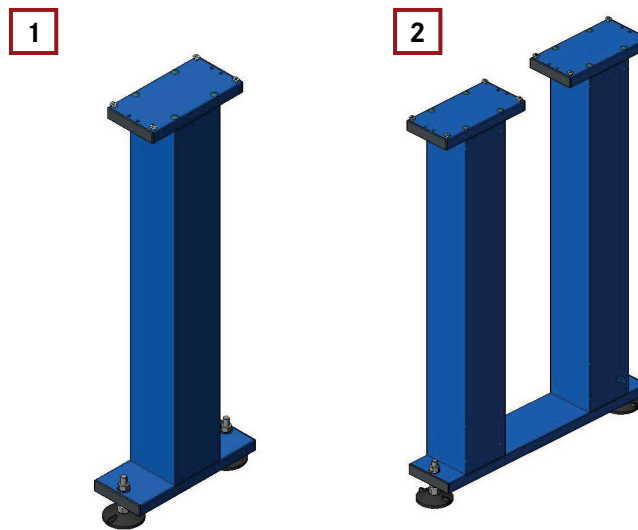


Fig. 4-4:  
Types of stands

- 1 Stand with one power unit - F1
- 2 Stand with two power units - F2
- 3 Stand with three power units - F3
- 4 Stand with Slave NT - FNT
- 5 Stand with one power unit and Slave NT - F1NT
- 6 Stand with two power units and Slave NT - F2NT
- 7 Stand with three power units and Slave NT - F3NT

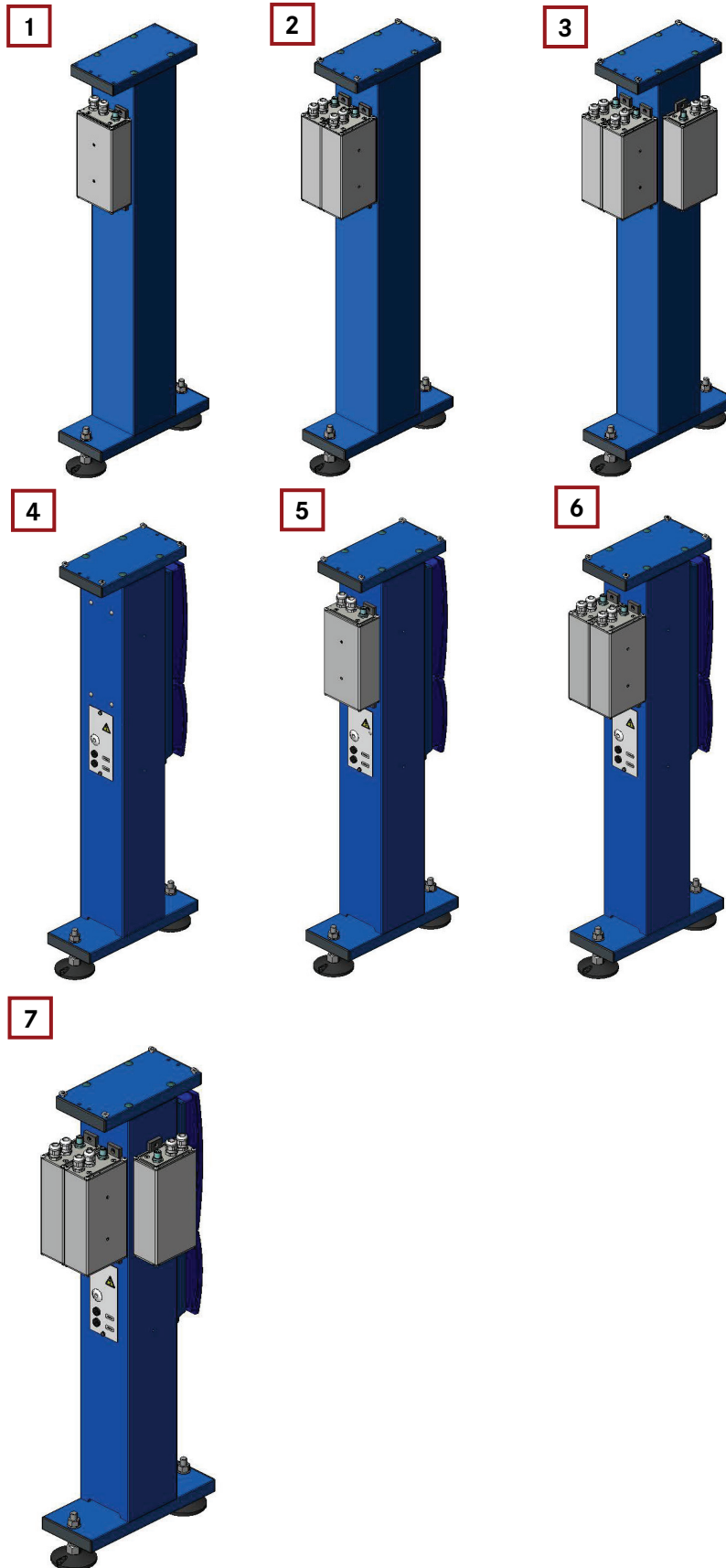
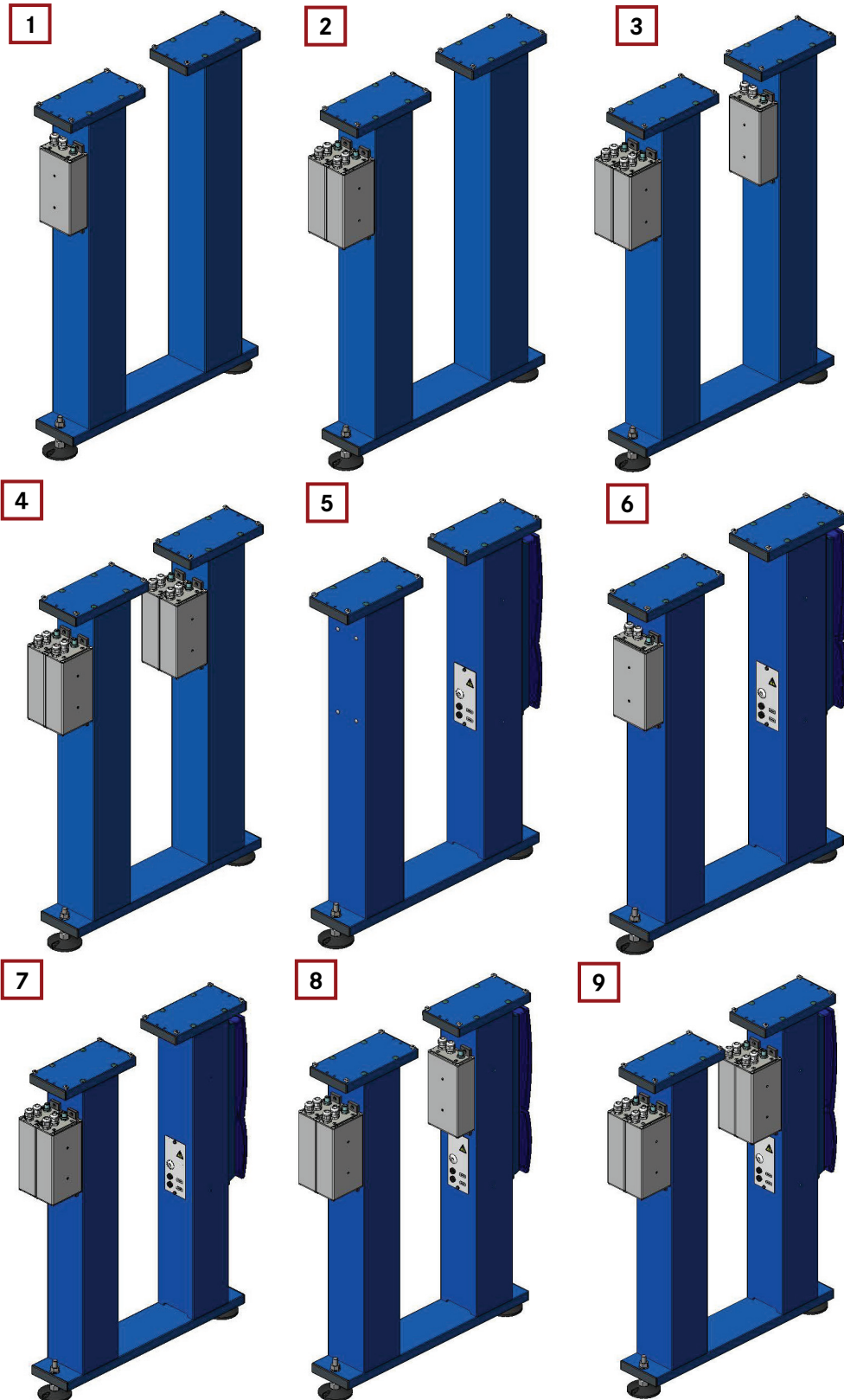


Fig. 4-5:  
Ständerarten - Doppel-  
ständer

- 1 Double stand with one power unit - DF1
- 2 Double stand with two power units - DF2
- 3 Double stand with three power units - DF3
- 4 Double stand with four power units - DF4
- 5 Double stand with Slave NT - DFNT
- 6 Double stand with one power unit and Slave NT - DF1NT
- 7 Double stand with two power units and Slave NT - DF2NT
- 8 Double stand with three power units and Slave NT - DF3NT
- 9 Double stand with four power units and Slave NT - DF4NT



## 5 Installation of the stand

### 5.1 Procedure

The installation procedure can be divided into 4 phases:

- Preparation,
- Stand installation,
- Connection of the Slave NT,
- Connection of the power unit.



**DANGER!**

#### **CAUTION! HIGH ELECTRICAL VOLTAGE!**

**Electrical components must be installed and removed exclusively by trained specialists from STEIN Automation or by other qualified electricians!**



**DANGER!**

#### **CAUTION! HIGH ELECTRICAL VOLTAGE!**

**Stand bases without power unit must be earthed with an additional earth cable!**



**WARNING!**

Stands must never be worked on when under tension. Get in touch with STEIN Automation if additional structural changes have to be made to a stand.



**WARNING!**

On processing stations which generate shavings (for example drilling or thread-cutting machinery), covers should be installed to avoid shavings or cooling fluid coming into contact with the power unit or the Slave NT.



Further information is available from STEIN Automation.

### 5.2 Preparation



**DANGER!**

**From the Workpiece Transport System starting unexpectedly.**



**DANGER!**

#### **HIGH ELECTRICAL VOLTAGE!**

**Risk of electric shock!**

**The power unit and Slave must not be connected up during installation work!**



## 5.3 Stand installation



### Protective clothing must be worn!

Wear your personal safety clothing: Safety footwear and safety gloves.

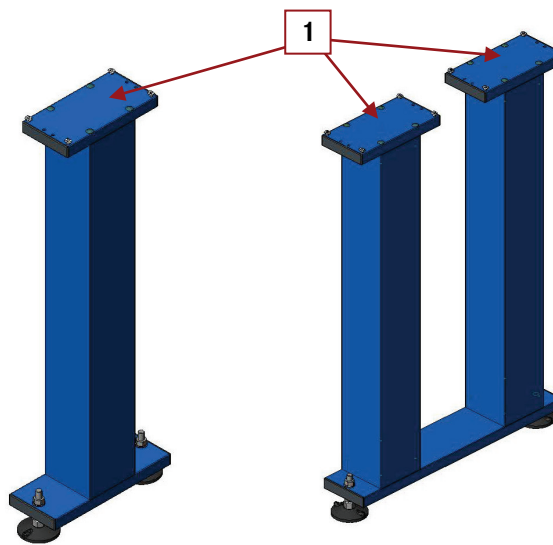


### WARNING!

Remember that the stands are very heavy!

Use suitable equipment, such as lifting tackle, to transport and install the stands.

Fig. 5-1:  
Stand installation  
**1** Cross section with  
holes



### WARNING!

### Secure the stand so it does not fall over!

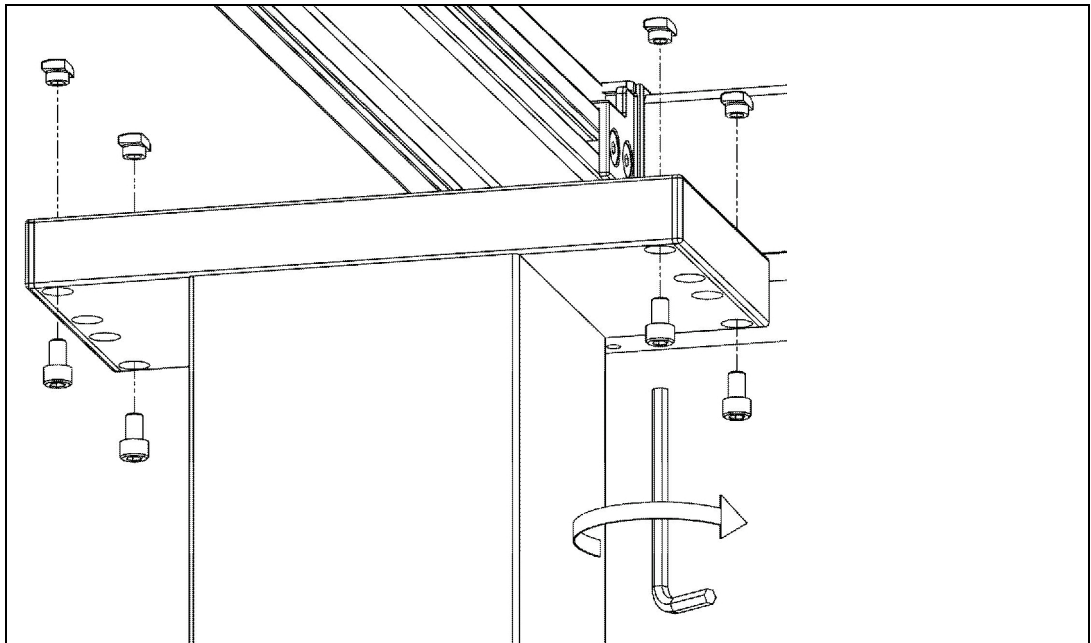
Falling stands can result in personal injury or property damage.

### Initial installation of the stand -

#### Connecting the stand to a belt element:

- Lay a protective mat of the same length as the belt element onto the floor to avoid damage to the belt element.
- Place the belt element onto the mat with the aluminium section on top.

Fig. 5-2:  
Pre-assembly screws and  
T-slotted nuts



Pre-assembly of the screws and T-slotted nuts on the stand base.

- Insert the screws into the through holes in the stand cross section.
- Place the T-slotted nuts onto the screws.
- Turn the screws through one or two revolutions into the T-slotted nuts.
- Place the stand base vertically with the screws in front onto the belt section and adjust the T-nuts to be parallel to the aluminium section.
- Insert the T-nuts into the aluminium section.
- Adjust the stand base.
- Tighten the screws with 10Nm.

### Stand retro-fitting – Installing a stand later into a WTS facility

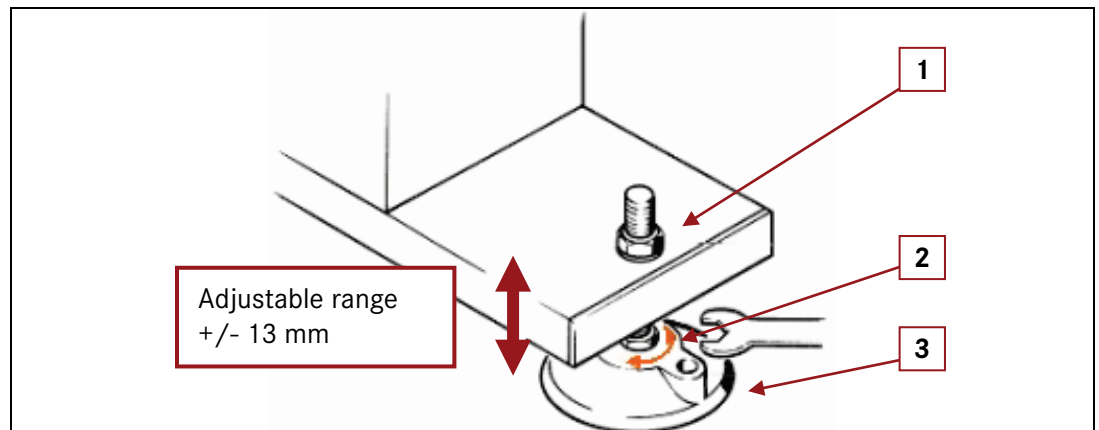
Pre-assembly of the screws and T-slotted nuts on the stand base.

- Insert the screws into the through holes in the stand cross section.
- Place the T-slotted nuts onto the screws.
- Turn the screws through one or two revolutions into the T-slotted nuts.
- Turn the stand base down to its lowest height.
- Tilt the stand through about 40°.
- Position the pre-assembled stand base under the relevant belt element.
- Re-erect the stand base again and at the same time adjust the T-nuts to be parallel to the aluminium section.
- Insert the T-nuts into the aluminium section.
- Adjust the stand base.
- Tighten the screws.

### Stand adjustment

Abb. 5-3:  
Adjustable base  
adjustment

- 1 Locknut
- 2 Retaining screw
- 3 Adjustable base



**WARNING!**

Do not unscrew the adjustable bases (3) of the stands too far out!  
The threading has to remain firmly within the stand.

- Make sure that:
  - There is still sufficient thread available to allow for adjustments that may need to be made after setting up the other stands, to allow for unevenness in the floor.
  - You take into account the right installation height of the transport section required for supplying the processing stations!
- Loosen the locknut (1) on the stands.
- Adjust the height of the stand with the adjustable bases.  
Please refer to the chapter “Technical data” to find the maximum adjusting range.

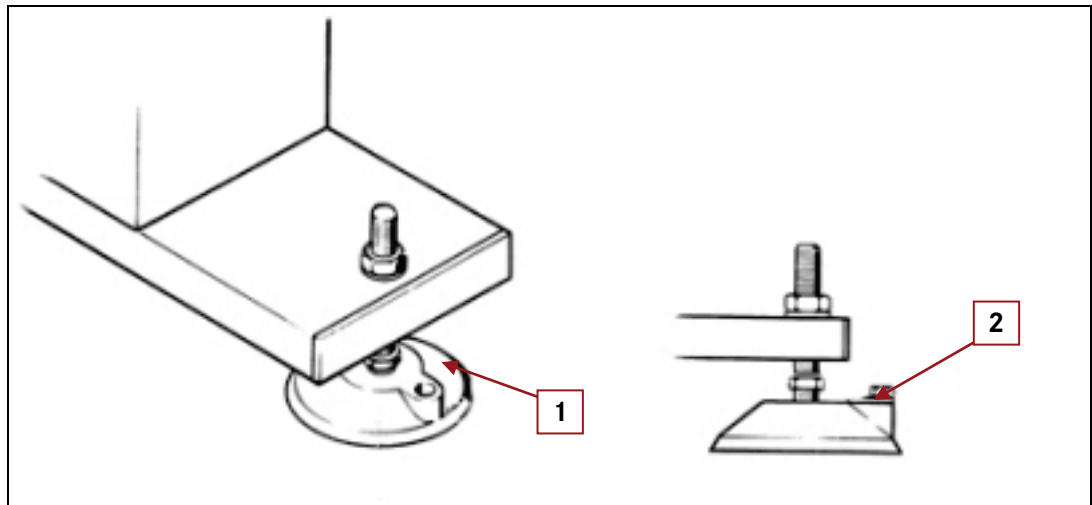


Please refer to chapter 10 for the installation and other dimensions.

### 5.3.1 Anchoring the stands

Fig. 5-4:  
Module anchoring

- 1 Adjustable base
- 2 Retaining screw



**i**

Anchoring the stands increases the functional safety of the WTS!



**WARNING!**

Watch out for pipes and cables that may be laid in the area where you make holes!

In order to secure the stands:

- Turn the adjustable bases so that the hole for the locking screw is easily accessible.
- Then drill the hole – see table.
- Put the dowel directly into the hole.
- Tighten the locking screw with a torque of max. 5 Nm.

Dowel description	Liebig dowel	Fischer dowel S10
Bore hole Ø:	8 mm	10 mm
Bore hole depth	70 mm	50 mm
Locking screw	For Liebig dowels already included in BoA – G 8/15	Wood screw 8 x 60 DIN 571

## 5.4 Connection of the Slave NT



**DANGER!**

**Connection to the mains power supply must be carried out exclusively by trained specialists from STEIN Automation!**



For details of the electrical connections of the Slave NT please refer to the STEIN 300 operating instructions.

## 5.5 Connection of the power unit to the mains supply



**DANGER!**

**Connection to the mains power supply must be carried out exclusively by trained specialists from STEIN Automation!**



For details of the electrical connections of the power unit please refer to the STEIN 300 operating instructions.

## 6 Initial operation

Carry out the following checks before initial operation:

- Are all the electrical cables undamaged?
- Are all the electrical cables correctly connected?
- Have all the mechanical components been tightly fastened in place?
- Have all tools and other equipment been cleared from the transport area?

Once you have carried out all these checks, you can continue with the initial operation.

- Switch on the Transport System and its associated processing stations and carry out a trial run.
- Check the functions of the individual elements and processing stations as well as the pre-programmed overall operation of the entire system.



**WARNING!**

**Only start the Transport System once you have carried out a successful trial run.**

## 7 Stand operation

Switching on the stands occurs centrally through switching on the WTS facility.

## 8 Faults



**WARNING!**

It is not permitted to repair damaged and / or defective parts.  
Get in touch with STEIN Automation.  
The service address is on page 2.

## 9 Cleaning, inspection, maintenance

### 9.1 Cleaning



Cleaning does not mean the stand needs to be dismantled.



**DANGER!**

**From the Workpiece Transport System starting unexpectedly.**



**GEFAHR**

**HIGH ELECTRICAL VOLTAGE!**

**Risk of electric shock!**

- 1 Before carrying out any installation or repair work, disconnect the relevant Workpiece Transport System from its electrical power supply.
- 2 Disconnect the workpiece transport system from its compressed air supply.
- 3 Put up warning signs to prevent the system being started up while installation and repair work is being done.



**Protective clothing must be worn!**

When cleaning, wear goggles, safety gloves and a dust-mask.  
Only use a vacuum cleaner to remove dust, shavings and other particles.

- Remove dust, shavings and other particles with a vacuum cleaner.



**WARNING!**

When cleaning, do not use any abrasive, corrosive or scouring cleaning fluids or cleaning materials.

Avoid fluid getting into the components of the system!



STEIN Automation recommends Industrie Clean manufactured by Würth, Item number: 893140 or Arecal Clean manufactured by RECA Norm, article no.: 0895014500.

Depending on the usage conditions and the degree of soiling:

- Clean the surfaces with a soft, lint free cloth, lightly dampened with cleaning fluid.



**Environmental protection!**

Dispose of waste material and used cleaning cloths in an environmentally responsible way.

## 9.2 Inspection

Interval	Component	Inspection criterion	Solution
<b>Annually</b>			
	Power unit plug	Stable connection	Tightly fit push connector.
	Slave NT plug	Stable connection	Tightly fit push connector.
	Stand overall	Play, functional accuracy	Re-tighten loose connections

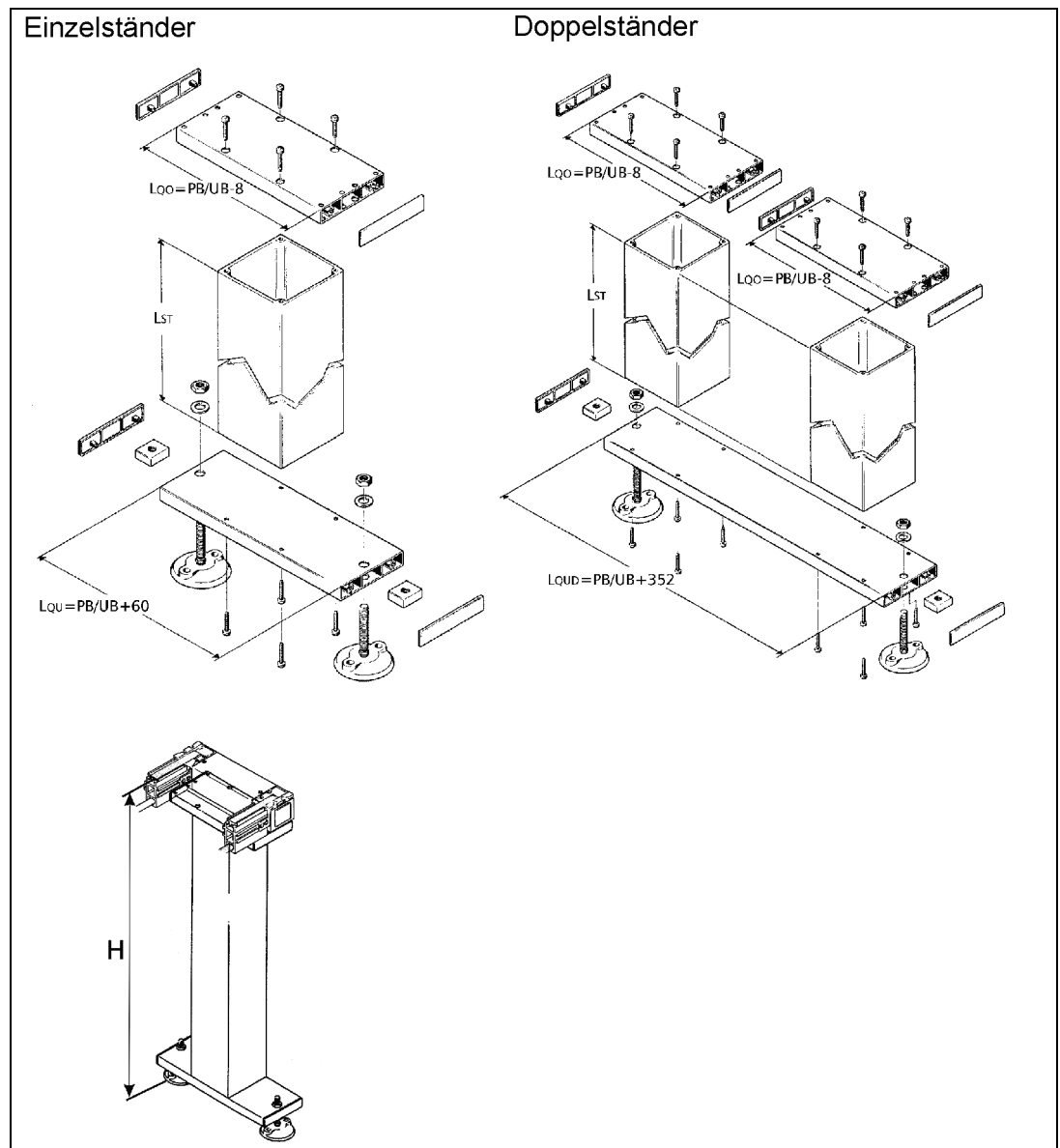
## 9.3 Maintenance

The stand is maintenance free.



## 10 Dimensions sheet

Fig. 10-1:  
Dimensions sheet



- Pallet width (PB), for belt element and transfer width (UB), for transverse section 160 x 160 / 240 x 240 / 320 x 320 / 400 x 400 mm
- $L_{ST}$  = belt height (H) - 170 mm
- $L_{QO}$  = length cross section top
- $L_{QU}$  = length cross section bottom
- $L_{QUD}$  = length cross section bottom double
- H 700 - 1100 mm

## 11 Spare parts

### 11.1 300 580 001 Stand for SOFT MOVE

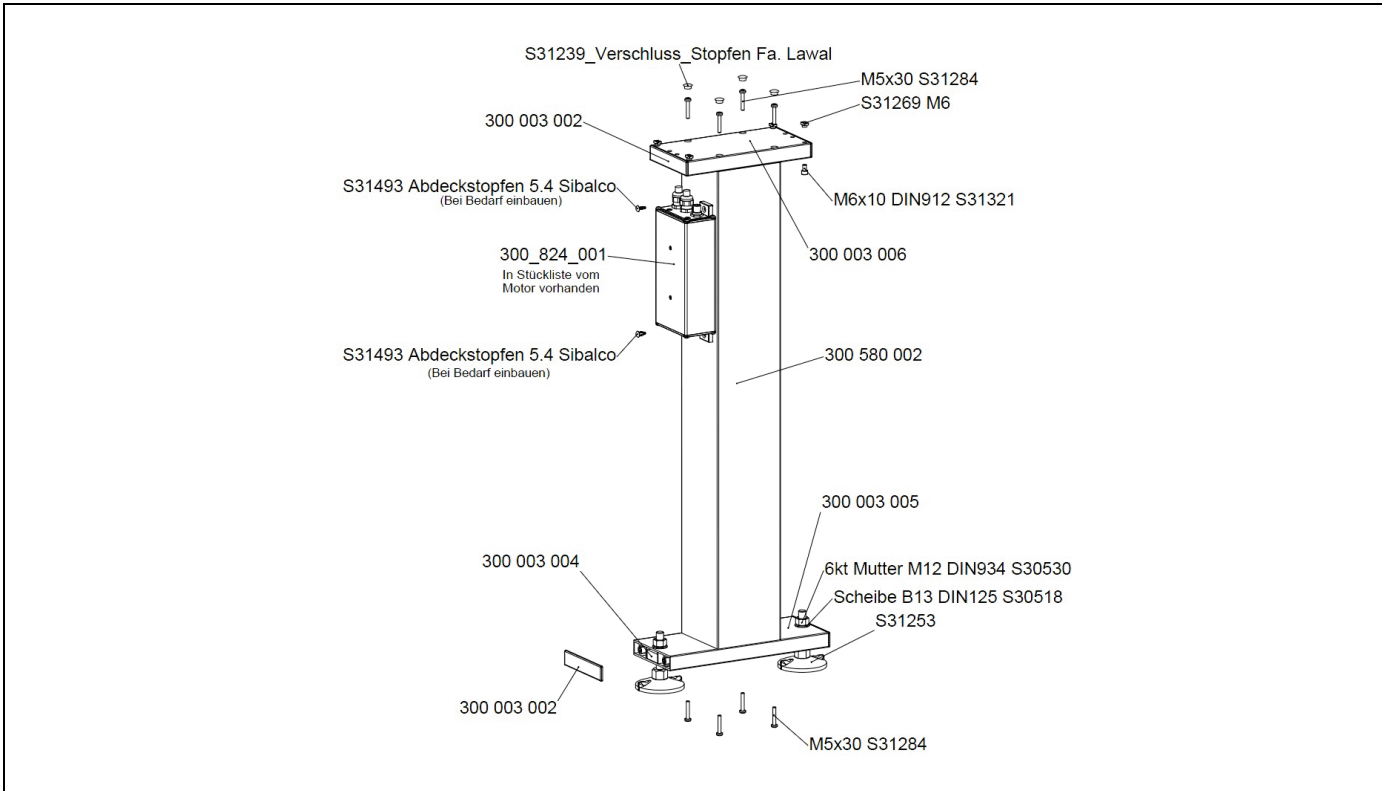


Fig. 11-1: F1 – Stand for SOFT MOVE with one power unit – (300 580 001)

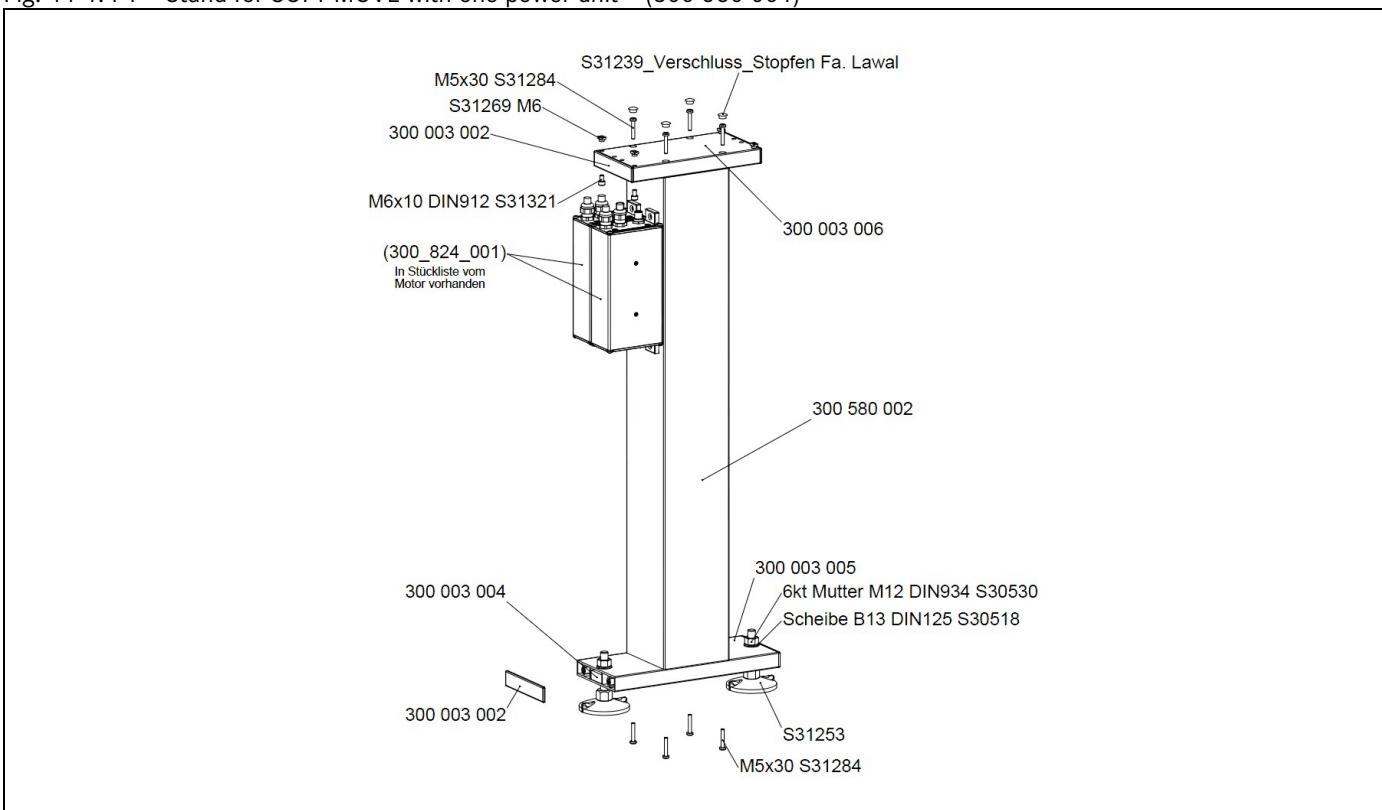


Fig. 11-2: F2 – Stand for SOFT MOVE with two power units – (300 700 001)

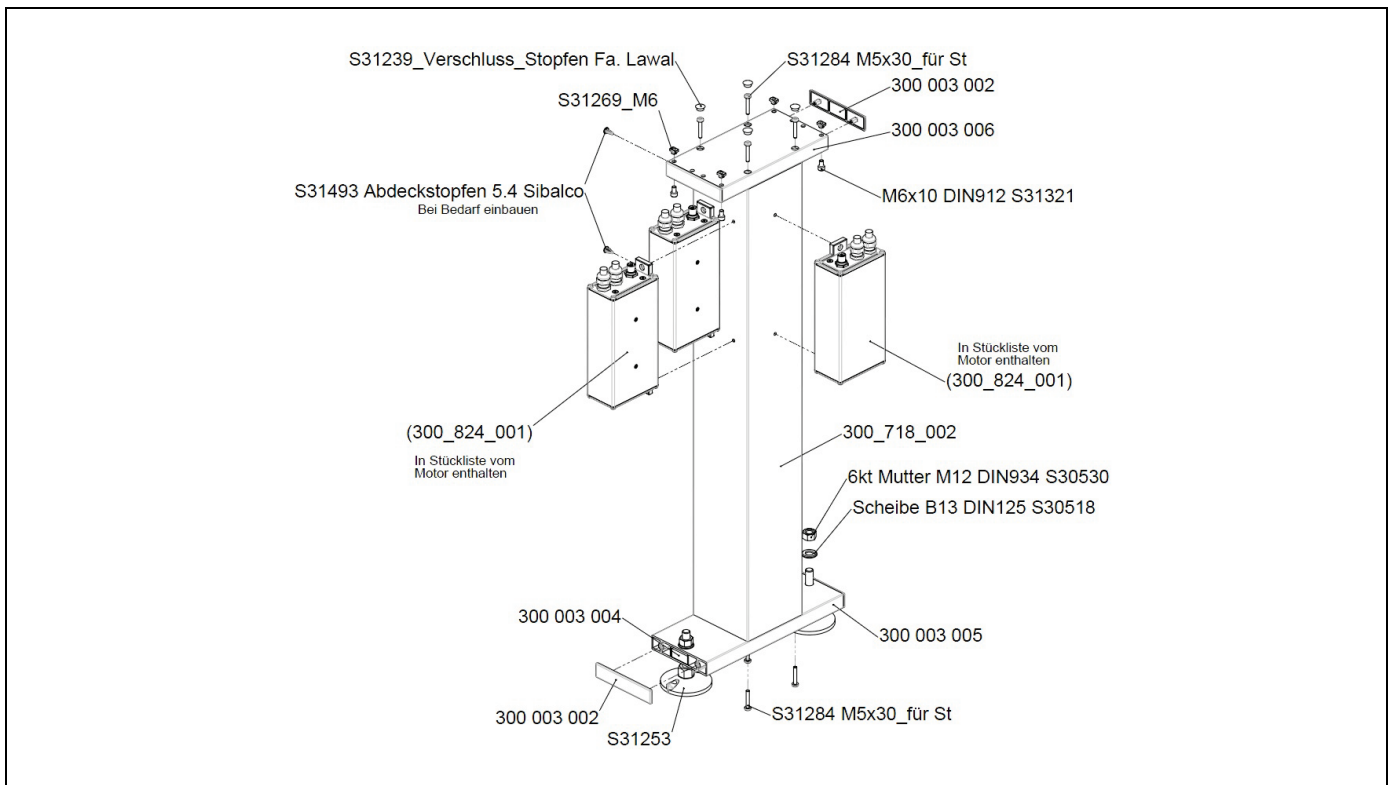




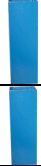











Abb. 11-3: F3 - Stand for SOFT MOVE with three power units - (300 718 001)

	Order number	Description	Number
	300 003 002	<b>Cover plate</b>	4
	300 003 004	<b>Square nut</b>	2
	300 003 005	<b>Cross section bottom</b>	1
	300 003 006	<b>Cross section top</b>	1
	300 580 002	<b>Stand base section</b>	1
	300 718 002	<b>Stand base section</b>	1
	S30518	<b>Washer</b>	2
	S30530	<b>Nut</b>	2
	S31253	<b>Adjustable base</b>	2
	S31284	<b>Screw</b>	8
	S31269	<b>Slot nut</b>	4
	S31321	<b>Screw</b>	4
	S31239	<b>Blanking plug</b>	4
	300 824 001	<b>Power supply unit (Included in the spare parts list of the drive motor)</b>	1(2/3)

## 11.2 300 581 001 Stand for SOFT MOVE with Slave NT

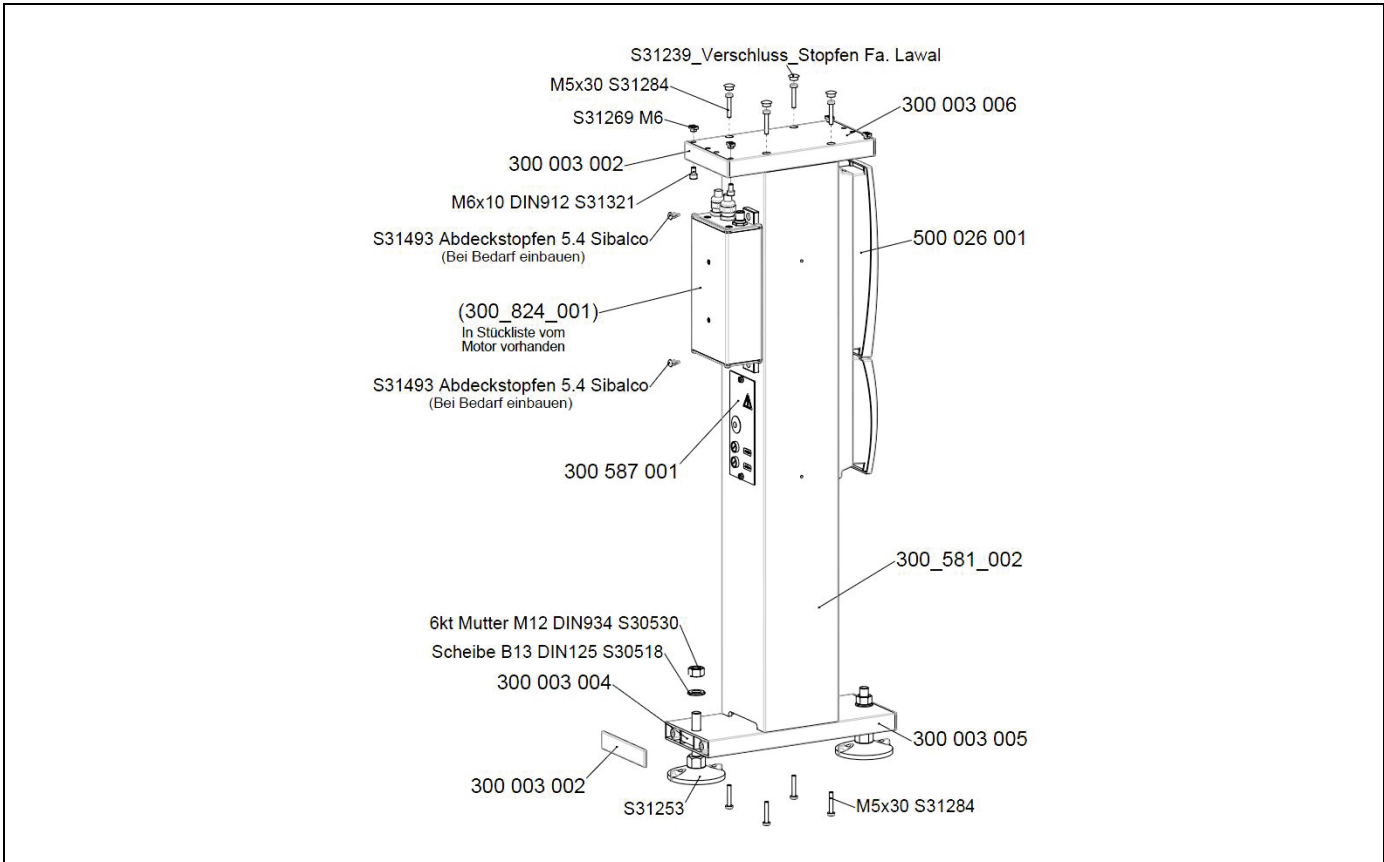


Fig. 11-4: F1NT – Stand for SOFT MOVE with one power unit and Slave NT – (300 701 001)

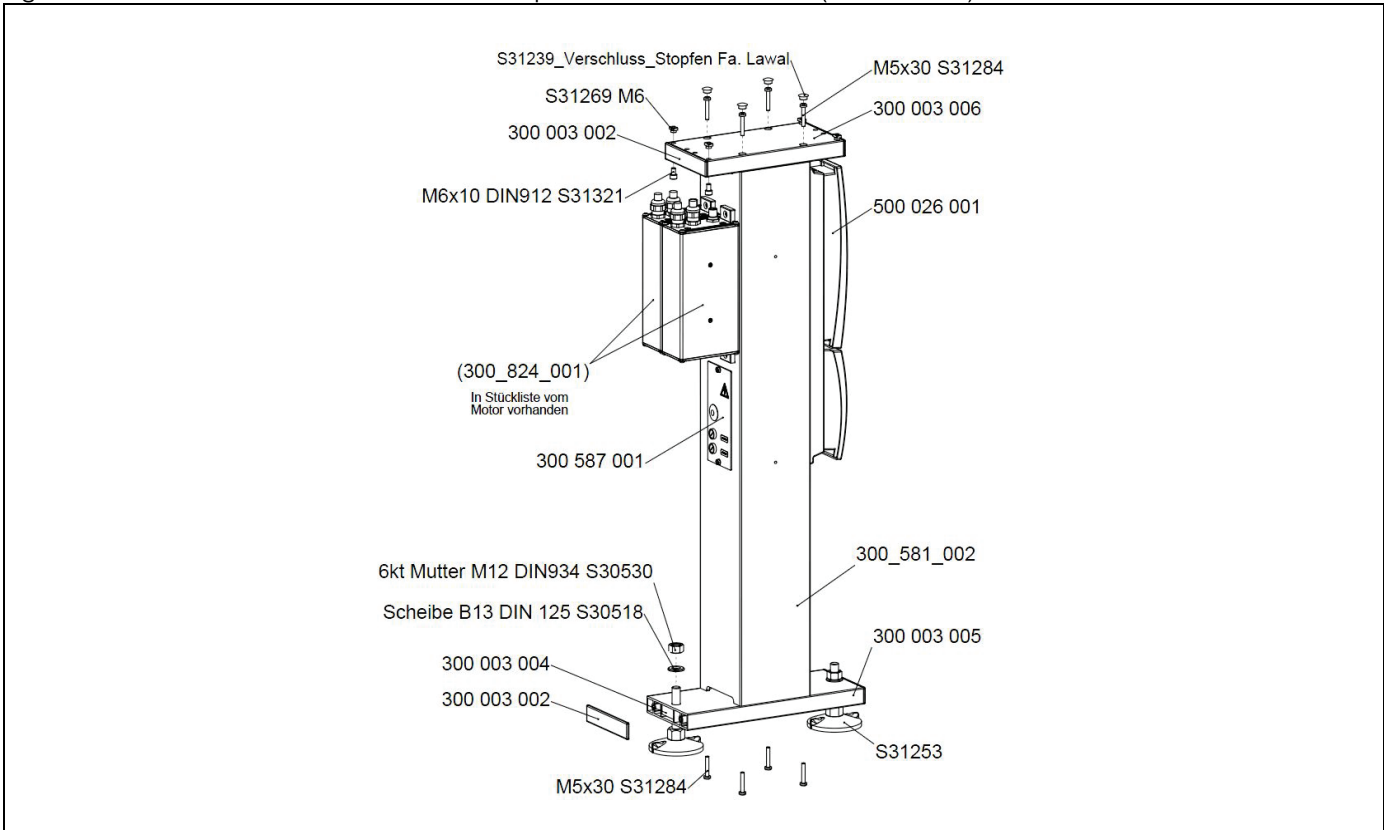


Fig. 11-5: F2NT – Stand for SOFT MOVE with two power units and Slave NT – (300 702 001)

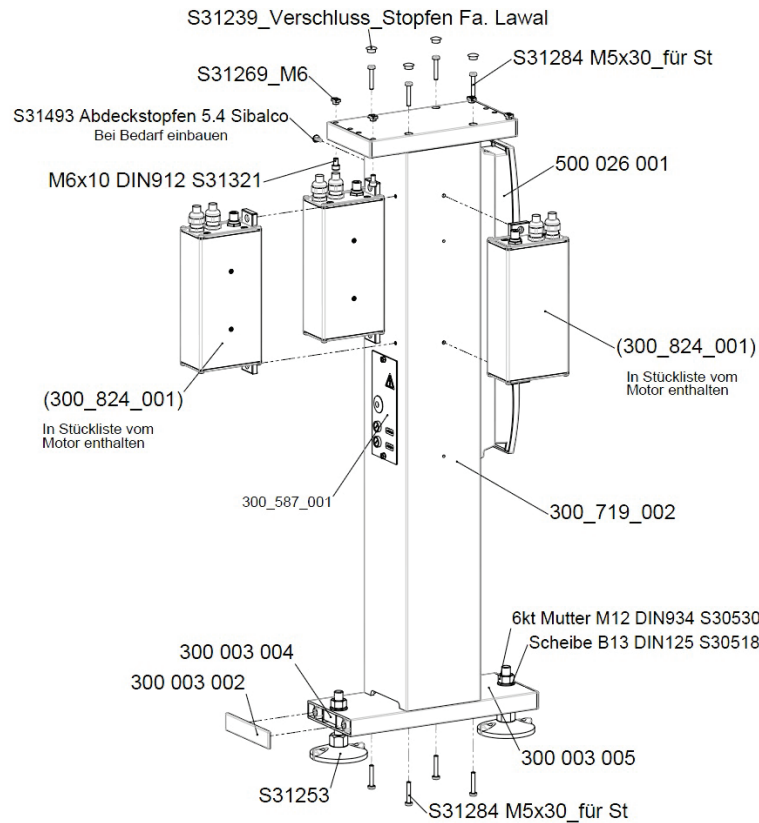


Fig. 11-6: F3NT - Stand for SOFT MOVE with three power unit and Slave NT - (300 719 001)

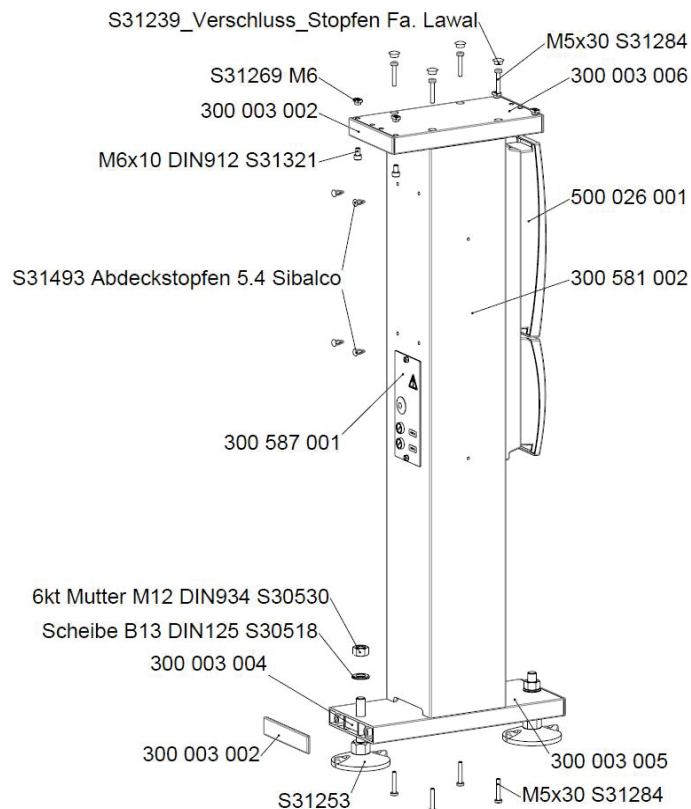




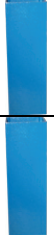
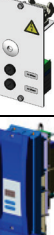









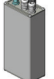


Fig. 11-7: FNT - Stand for SOFT MOVE with Slave NT - (300 581 001)

	Order number	Description	Number
	300 003 002	<b>Cover plate</b>	4
	300 003 004	<b>Square nut</b>	2
	300 003 005	<b>Cross section bottom</b>	1
	300 003 006	<b>Cross section top</b>	1
	300 581 002	<b>Stand base section</b>	1
	300 719 002	<b>Stand base section</b>	1
	300 587 001	<b>Fuse box for Slave NT</b>	1
	500 026 001	<b>Slave NT</b>	1
	S30518	<b>Washer</b>	2
	S30530	<b>Nut</b>	2
	S31253	<b>Adjustable base</b>	2
	S31284	<b>Screw</b>	8
	S31269	<b>Slot nut</b>	4
	S31321	<b>Screw</b>	4
	S31239	<b>Blanking plug</b>	4
	300 824 001	<b>Power supply unit</b> (Included in the spare parts list of the drive motor)	1(2/3)

### 11.3 300 600 001 Double stand for SOFT MOVE with / without power unit

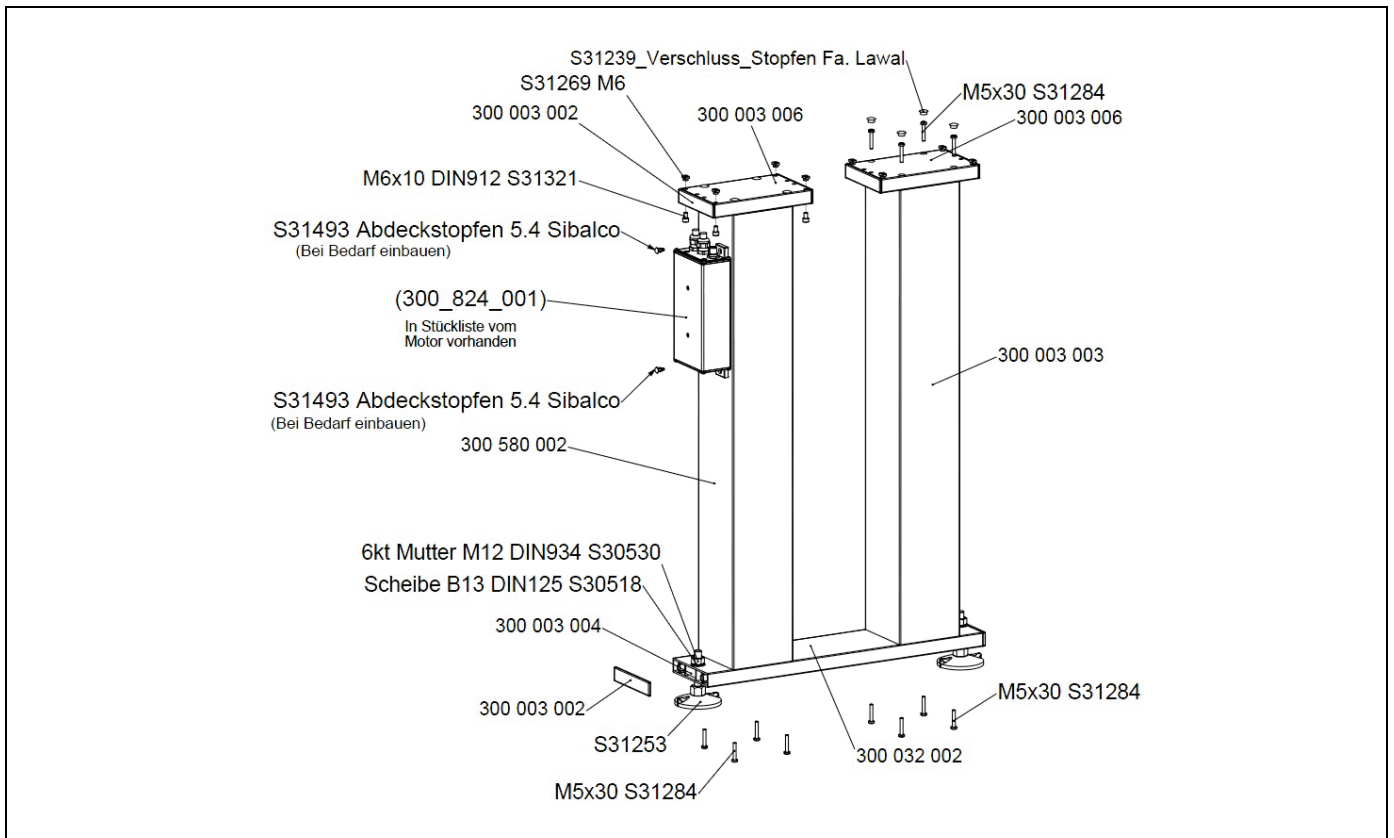


Fig. 11-8: DF1 – Double stand for SOFT MOVE with one power unit – (300 600 001)

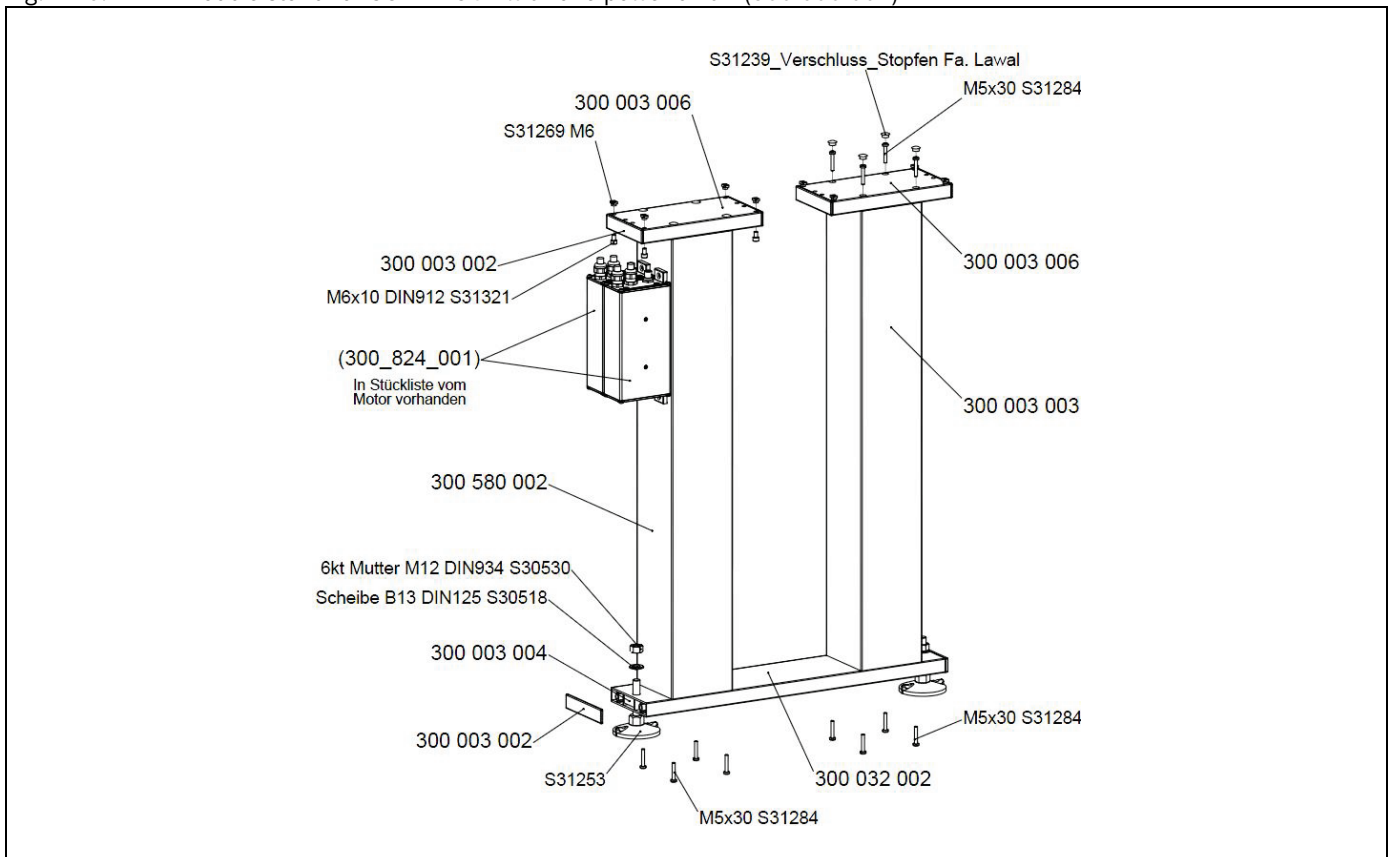


Fig. 11-9: DF2 – Double stand for SOFT MOVE with two power units – (300 703 001)

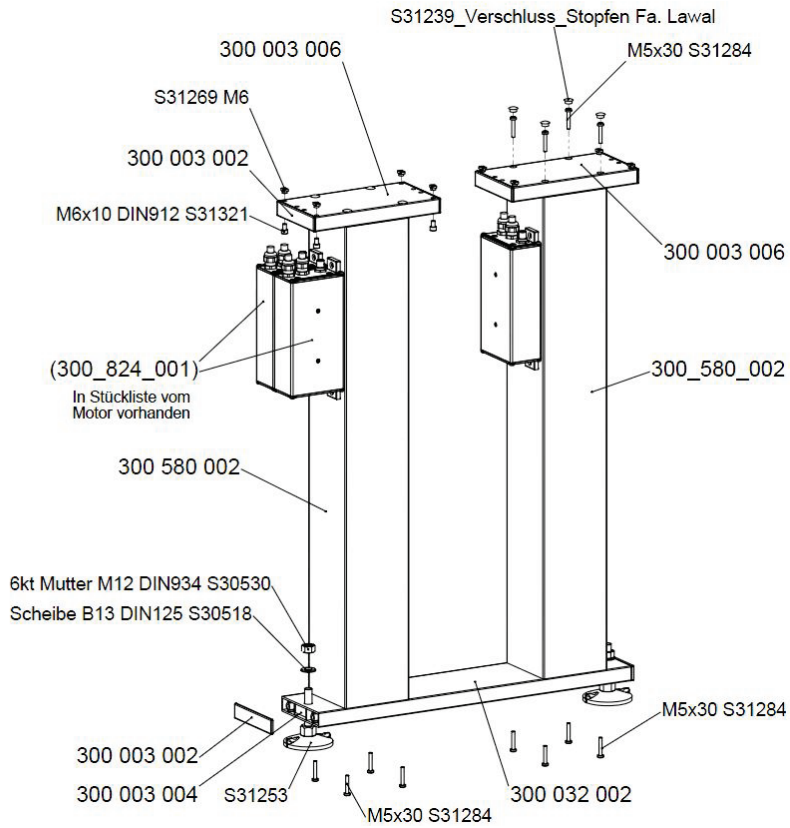


Fig. 11-10: DF3- Double stand for SOFT MOVE with three power units - (300 704 001)

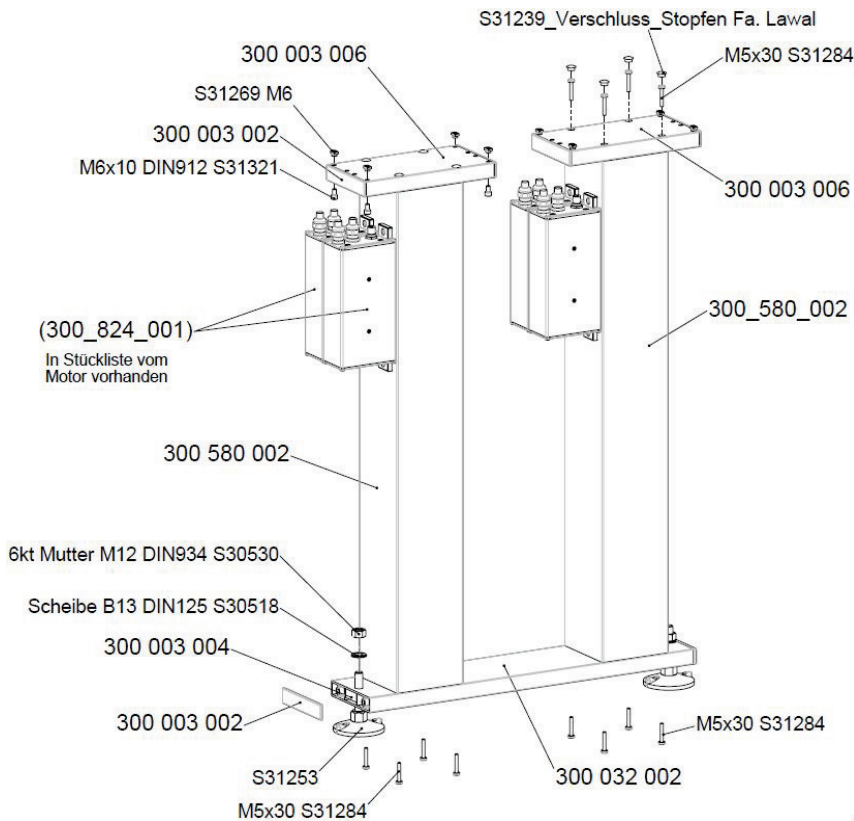
















Fig. 11-11: DF4 - Double stand for SOFT MOVE with four power units - (300 705 001)



	Order number	Description	Number
	300 003 002	<b>Cover plate</b>	6
	300 003 004	<b>Square nut</b>	2
	300 003 006	<b>Cross section top</b>	2
	300 032 002	<b>Cross section bottom</b>	1
	300 003 003	<b>Stand base section</b>	1
	300 580 002	<b>Stand base section</b>	1
	S30518	<b>Washer</b>	2
	S30530	<b>Nut</b>	2
	S31253	<b>Adjustable base</b>	2
	S31284	<b>Screw</b>	16
	S31269	<b>Slot nut</b>	8
	S31321	<b>Screw</b>	8
	S31239	<b>Blanking plug</b>	8
	300 824 001	<b>Power supply unit</b> (Included in the spare parts list of the drive motor)	1(2/3/4)

## 11.4 300 601 001 Double stand for SOFT MOVE with Slave NT

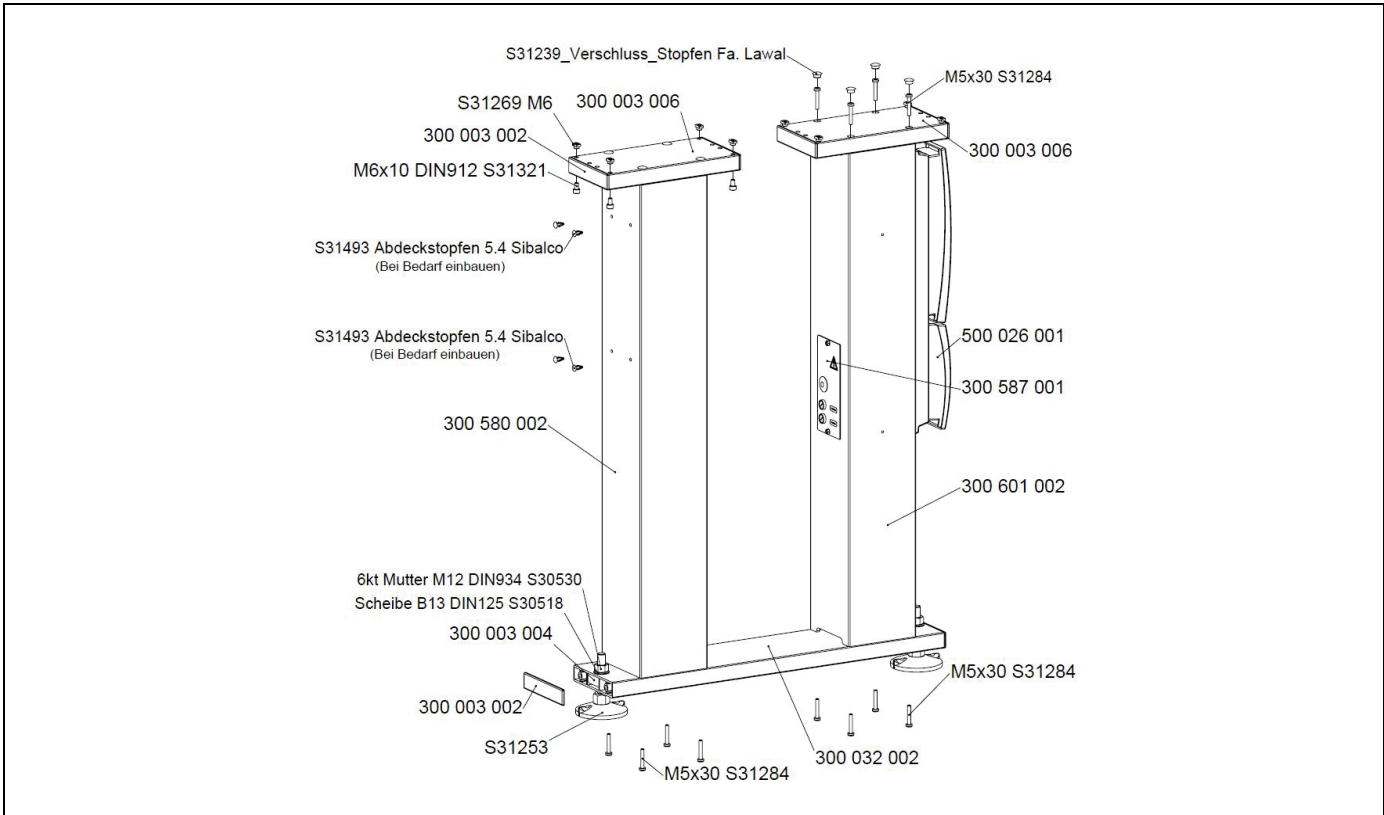


Abb. 11-12: DFNT - Double stand for SOFTMOVE with Slave NT - (300 601 001)

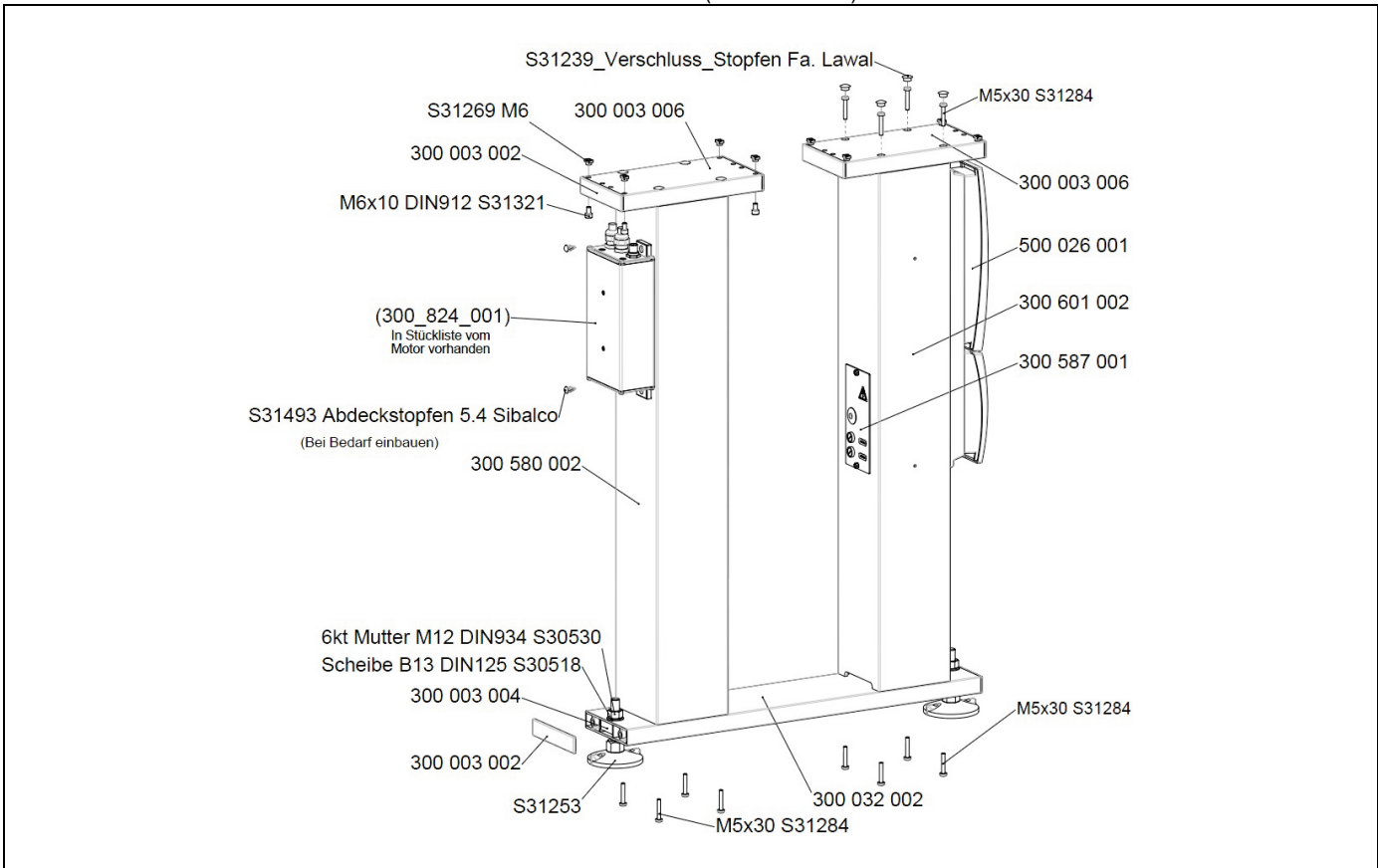


Abb. 11-13: DF1NT - Double stand for SOFTMOVE with one power unit and Slave NT - (300 706 001)

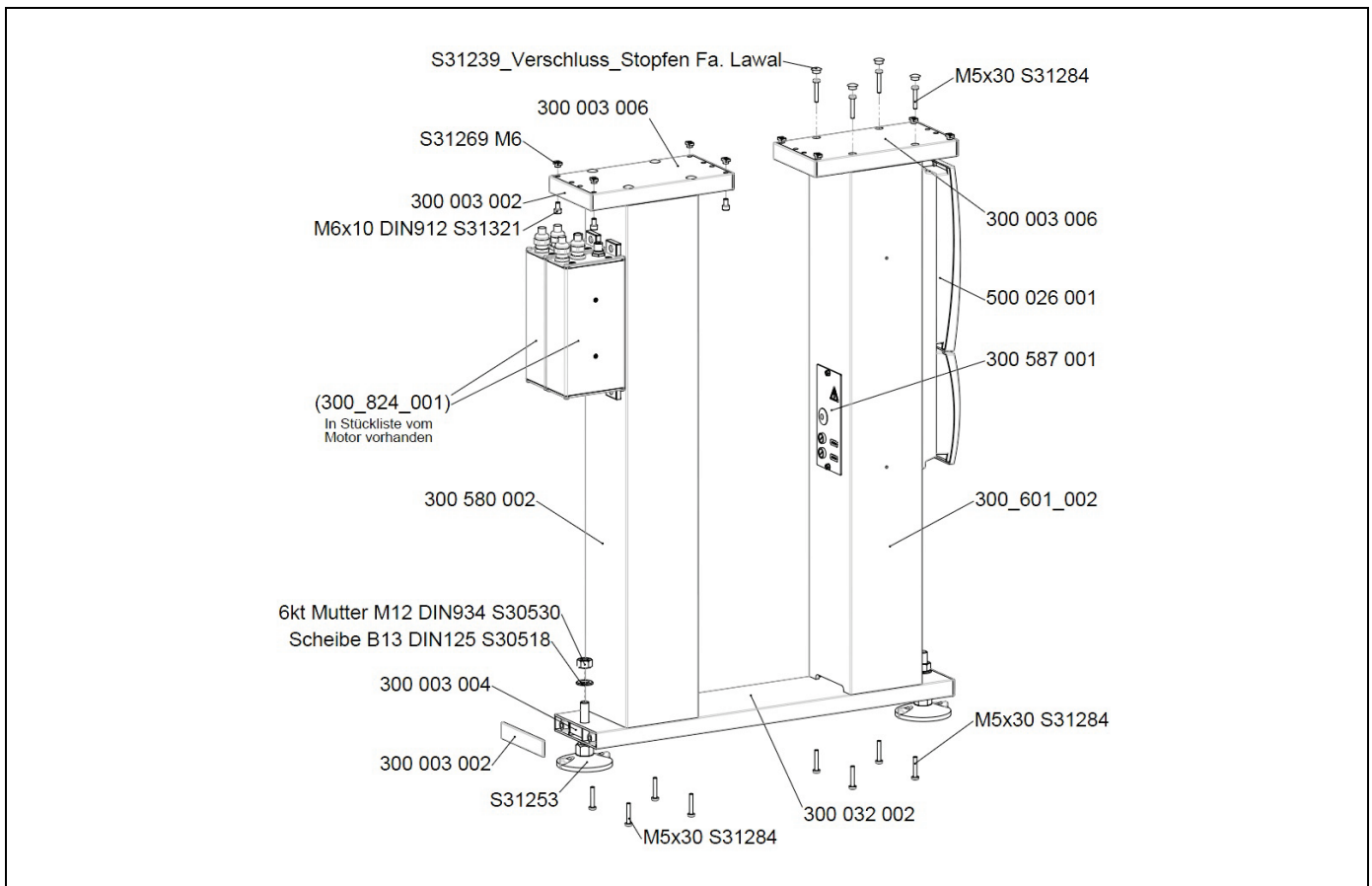


Abb. 11-14: DF2NT - Double stand for SOFTMOVE with two power units and Slave NT - (300 707 001)

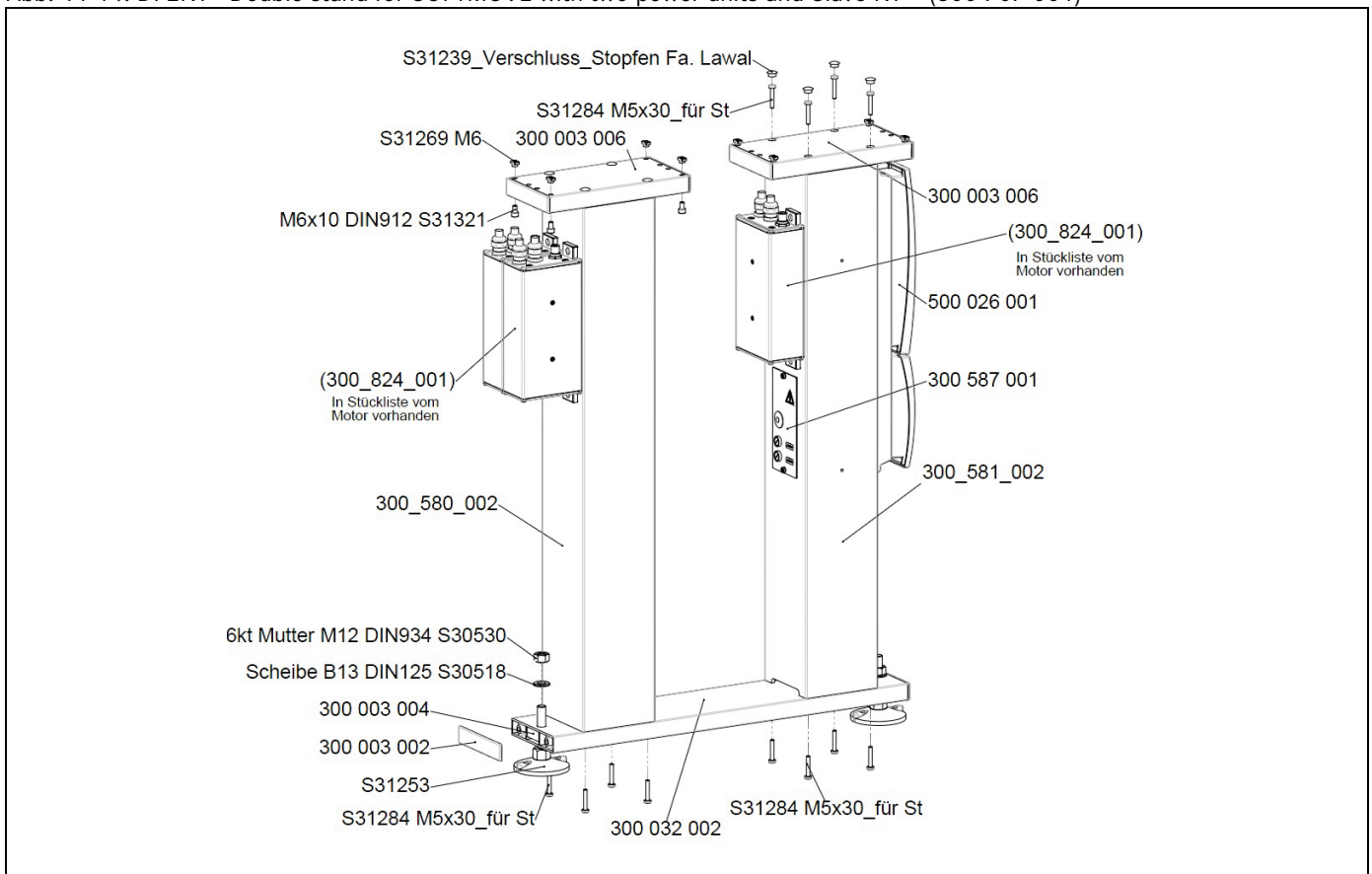


Abb. 11-15: DF3NT - Double stand for SOFTMOVE with three power units and Slave NT - (300 738 001)

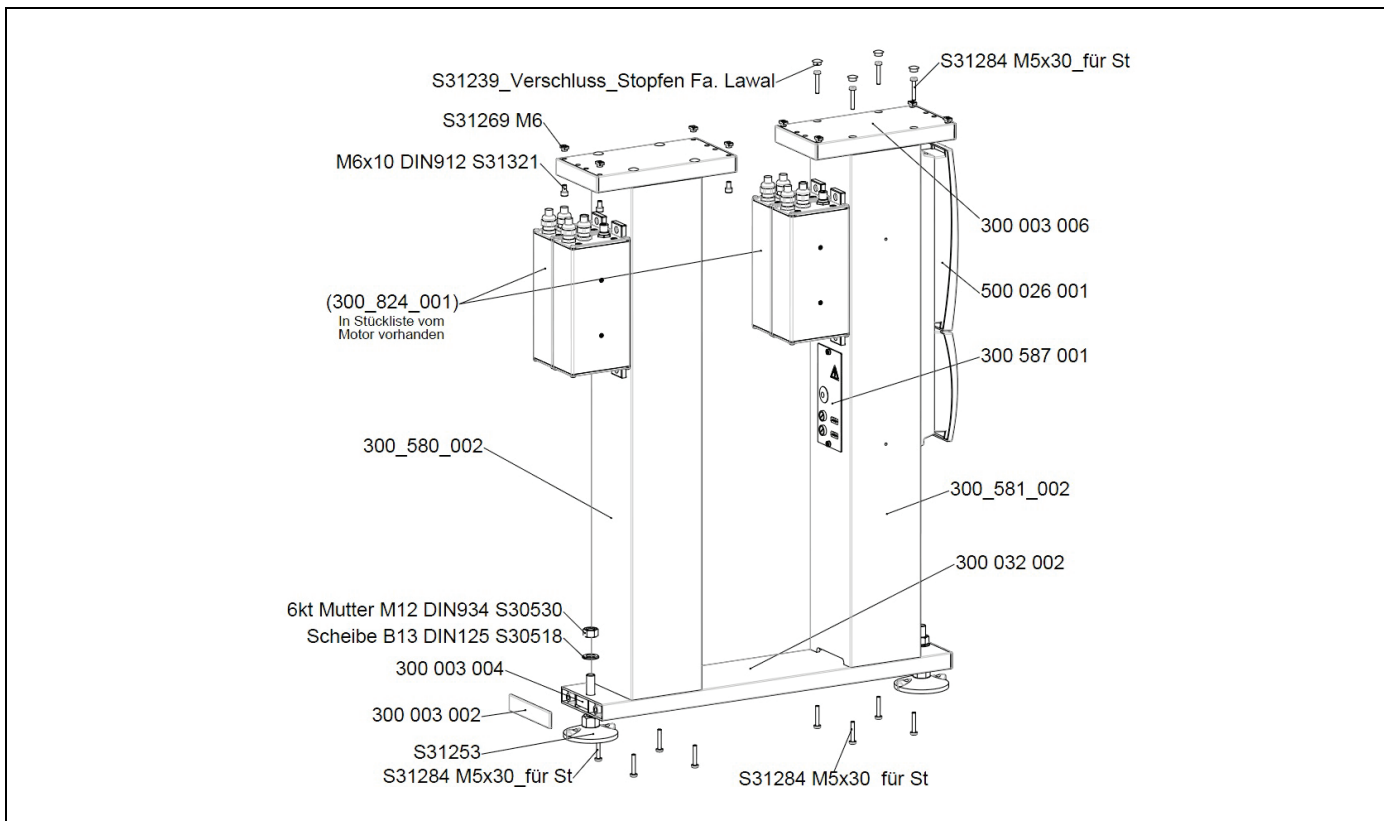


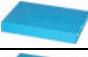













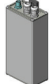


Abb. 11-16: DF4NT - Double stand for SOFTMOVE with four power units and Slave NT - (300 764 001)

	Order number	Description	Number
	300 003 002	<b>Cover plate</b>	6
	300 003 004	<b>Square nut</b>	2
	300 003 006	<b>Cross section top</b>	2
	300 032 002	<b>Cross section bottom</b>	1
	300 580 002	<b>Stand base section</b>	1
	300 581 002	<b>Stand base section</b>	1
	300 601 002	<b>Stand tube for Slave and fuse cover</b>	1
	300 587 001	<b>Fuse box for Slave NT</b>	1
	500 026 001	<b>Slave NT</b>	1
	S31269	<b>Slot nut</b>	8

	S31321	<b>Screw</b>	8
	S31239	<b>Blanking plug</b>	8
	S30518	<b>Screw</b>	2
	S30530	<b>Nut</b>	2
	S31253	<b>Adjustable foot</b>	2
	S31284	<b>Screw</b>	16
	300 824 001	<b>Power supply unit</b> (Included in the spare parts list of the drive motor)	1(2/3/4)

## 11.5 Installation duct for stands with slave

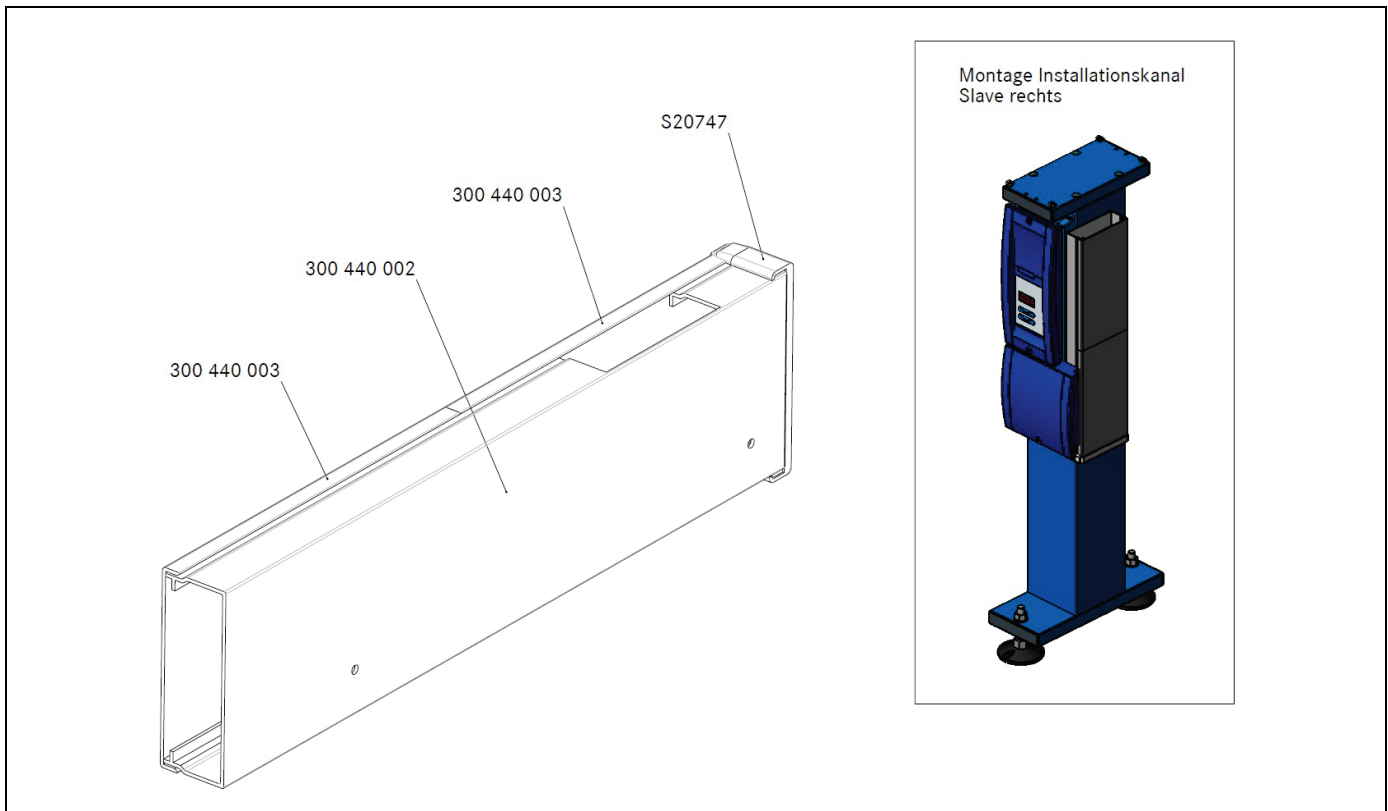


Fig. 11-17: Installation duct for stand with slave – on the right – (300 440 001)

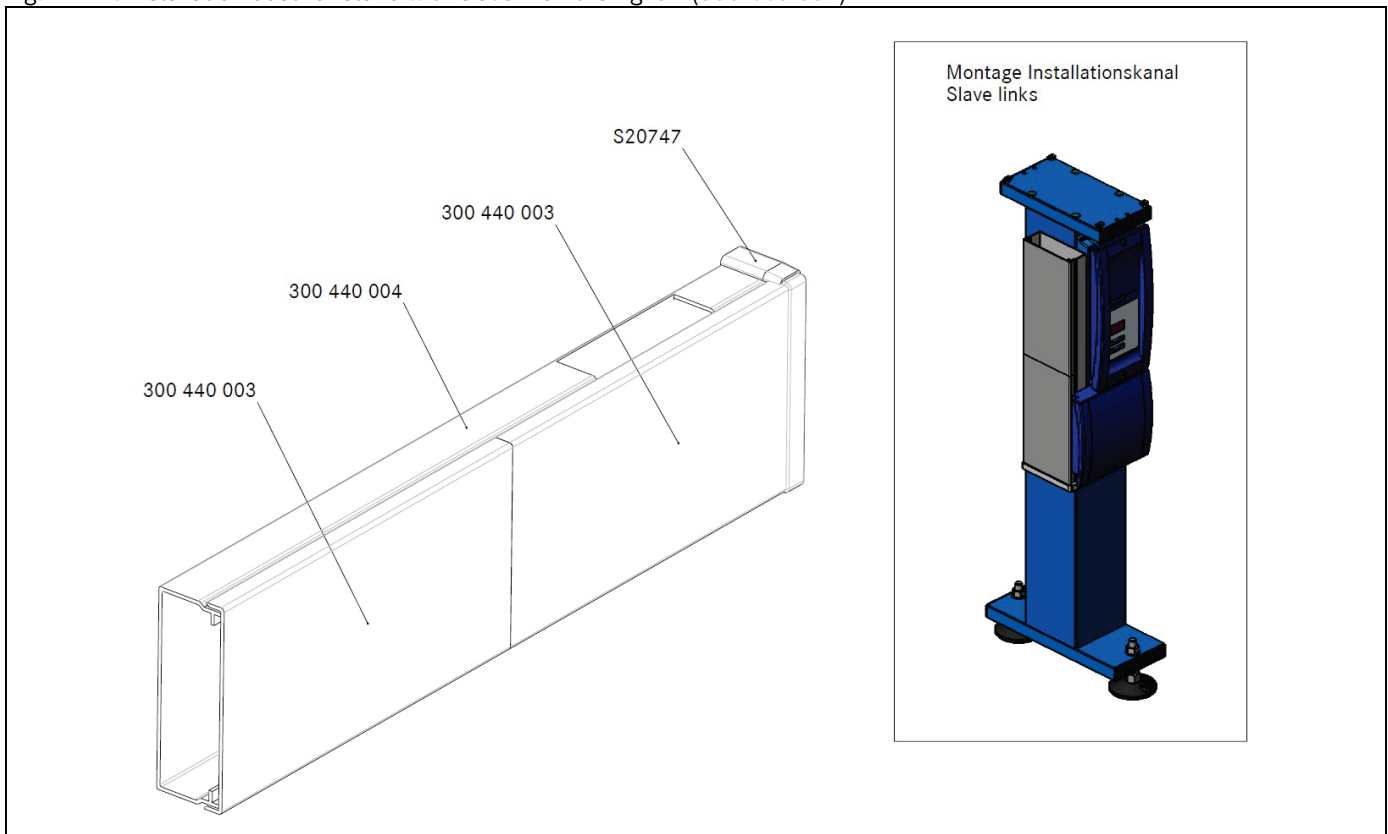
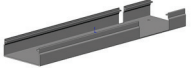
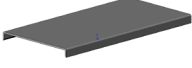
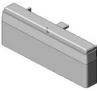

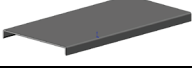
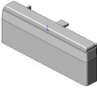


Fig. 11-18: Installation duct for stand with slave – on the left – (300 725 001)

### 11.5.1 Installation duct for stand with slave – on the right– 300 440 001

	Bestellnummer	Bezeichnung	Anzahl
	300 440 002	Installation duct on the right	1
	300 440 003	Installation duct cover	2
	S20747	Cap 40 – 60 x 110 Tehalit	1

### 11.5.2 Installation duct for stand with slave – on the left – 300 725 001

	Bestellnummer	Bezeichnung	Anzahl
	300 440 004	Installation duct on the left	1
	300 440 003	Installation duct cover	2
	S20747	Cap 40 – 60 x 110 Tehalit	1



The installation ducts are not included in the standard delivery of the stand feet, this can optionally be added.

## 11.6 Installation duct for stands with slave and gateway

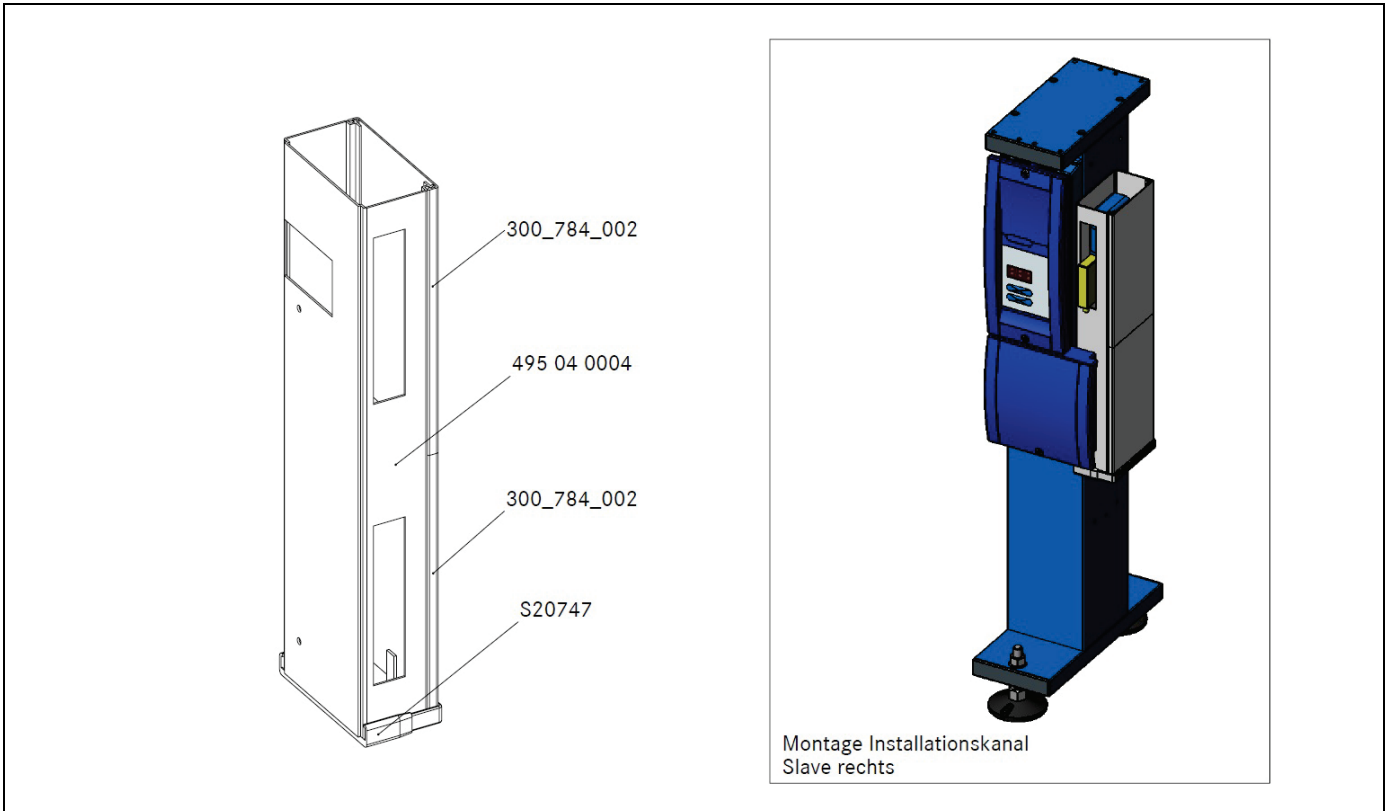


Abb. 11-19: Installation duct for stands with slave and gateway – on the right – (300 844 001)

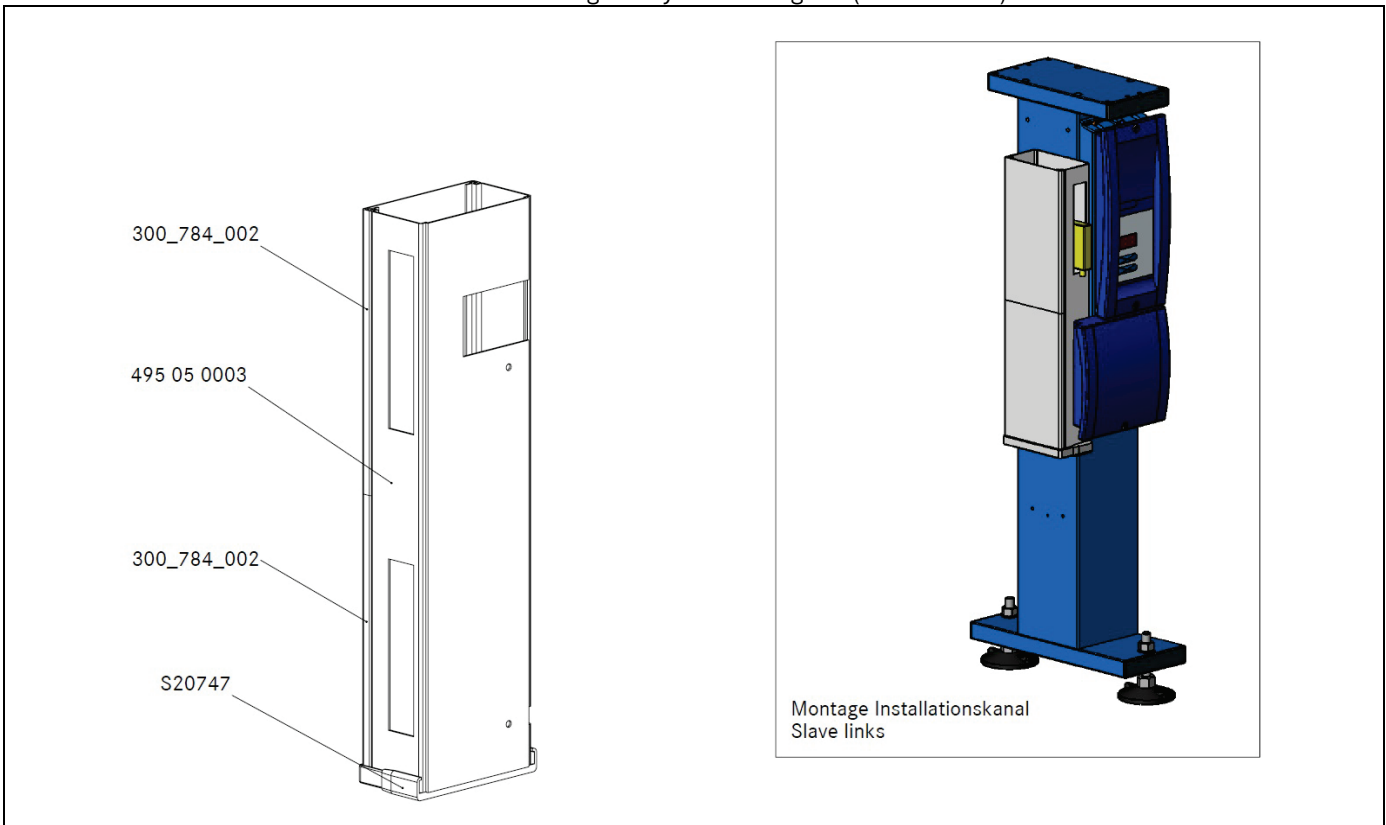
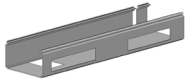
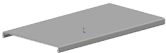



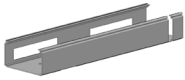
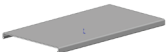
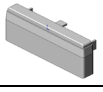
Abb. 11-20: Installation duct for stands with slave and gateway – on the left – (300 784 001)



### 11.6.1 Installation duct for stands with slave and gateway – on the right – 300 844 001

	Bestellnummer	Bezeichnung	Anzahl
	495 04 0004	Installation duct on the right	1
	300 784 002	Installation duct cover gateway	2
	S20747	Cap 40 - 60 x 110 Tehalit	1

### 11.6.2 Installation duct for stands with slave and gateway – on the left – 300 784 001

	Bestellnummer	Bezeichnung	Anzahl
	495 05 0003	Installation duct on the left	1
	300 784 002	Installation duct cover gateway	2
	S20747	Cap 40 - 60 x 110 Tehalit	1



The installation ducts are not included in the standard delivery of the stand feet, this can optionally be added.

## 11.7 Stand attachment

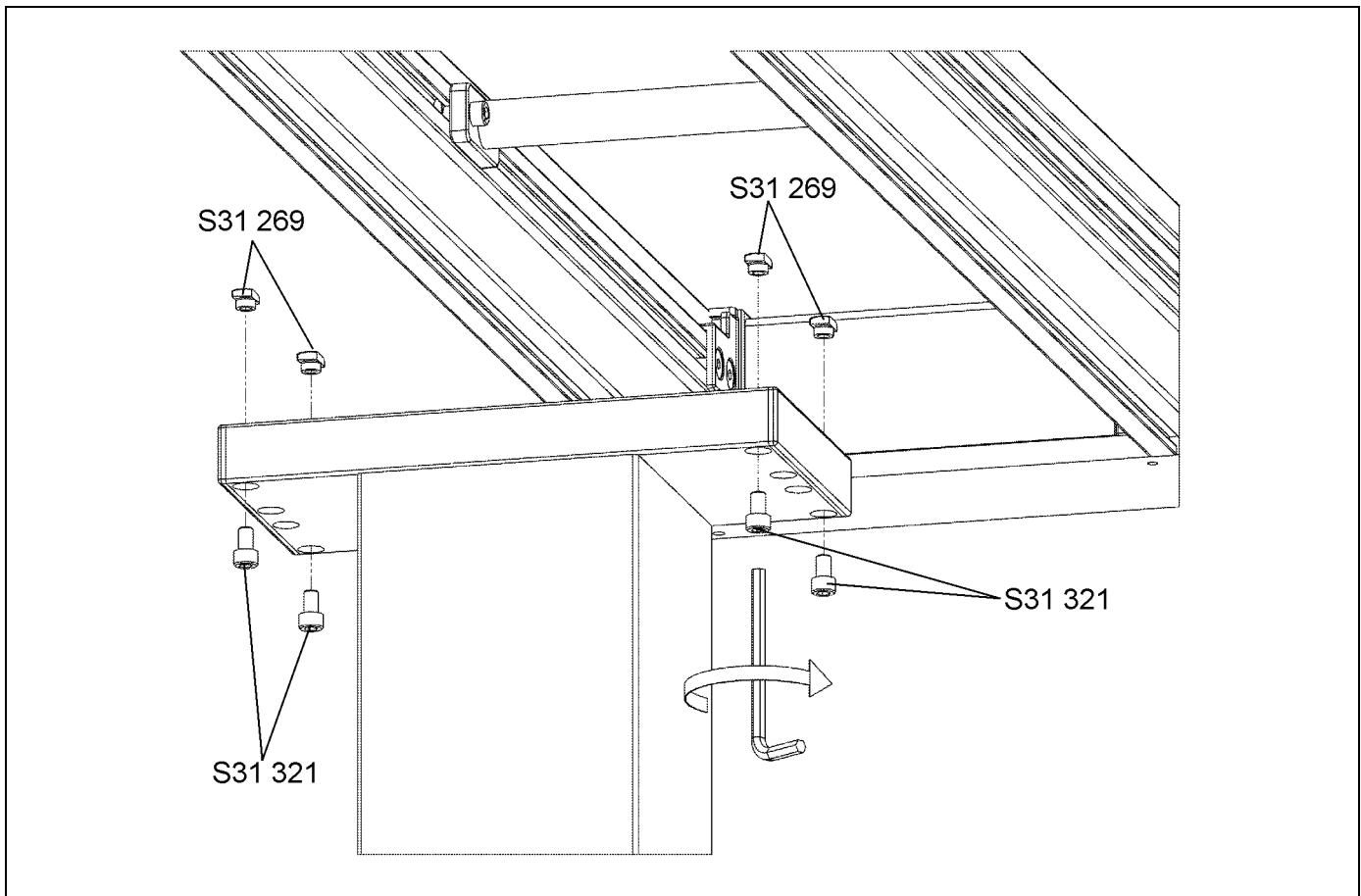


Fig. 11-21: Stand attachment

		Order number	Description	Number
		S31269	Slotted nut	*
		S31321	Screw	4

**i**

\* The number depends on the position of the stand in the system, e.g. A or B basic configuration or C workstation.

## 12 Appendix

### 12.1 Technical data

<b>Possible track widths</b>	160 - 400 [mm]				
<b>Dimensions</b>	See chapter 10				
<b>Maximum range of adjustment for stand bases</b>	26 mm				
<b>Permissible loads</b>	The stand may only be used for the mounting of STEIN Automation belt elements with the permitted weights.				
<b>Empty weight</b>	<table> <tr> <td>Stand</td> <td>ca. 10 kg</td> </tr> <tr> <td>Double stand</td> <td>ca. 19 kg</td> </tr> </table>	Stand	ca. 10 kg	Double stand	ca. 19 kg
Stand	ca. 10 kg				
Double stand	ca. 19 kg				

This information reflects the technical status at the time of printing.  
STEIN Automation reserves the right to make technical updates.

**STEIN Automation GmbH & Co. KG**

Carl-Haag-Straße 26  
78054 VS-Schwenningen

Telephone +49 (0)7720 / 8307-0  
info@stein-automation.de

**[www.stein-automation.de](http://www.stein-automation.de)**