

# Connection elements

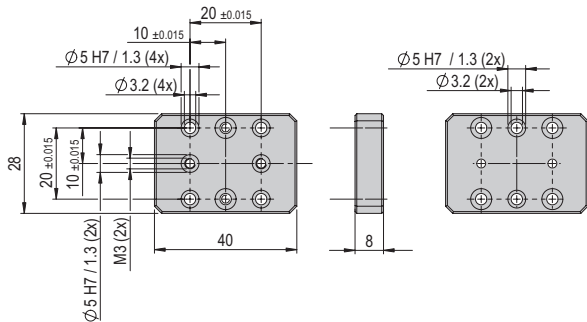


# Table of contents: Connection elements

<b>Connection elements</b>	<b>Page</b>
Connection plate VP	9
Angle plate VW	21
Flange plate VF	27
Connecting set VS	29
Special screws	31
T-nuts	33

# Connection plates VP

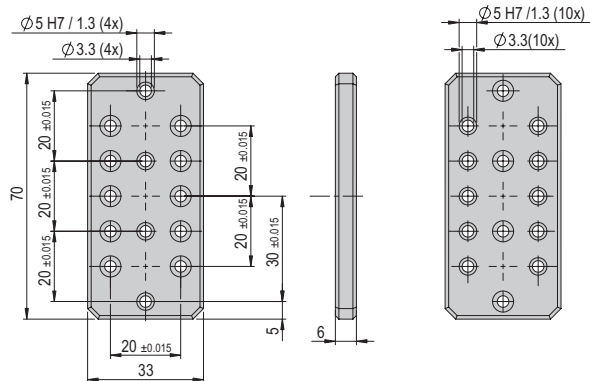
Connection plate VP 100	VP 100
<b>Order number</b>	<b>50077103</b>
<b>Net weight</b>	0.021 kg



## Included in the delivery

- 2x Special screw M3 x 10/4
- 4x Mounting screw M3x12
- 2x Centering bushing  $\varnothing 5 \times 2.5$

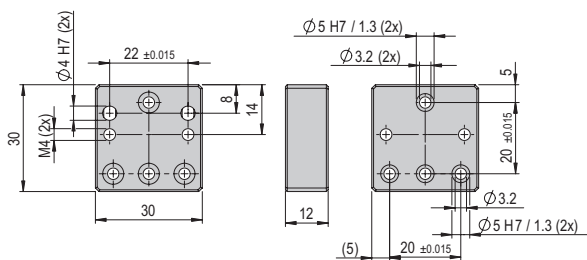
Connection plate VP 101	VP 101
<b>Order number</b>	<b>50041054</b>
<b>Net weight</b>	0.032 kg



## Included in the delivery

- 2x Mounting screw M3x10
- 2x Centering bushing  $\varnothing 5 \times 2.5$
- 6x Mounting screw M3x12

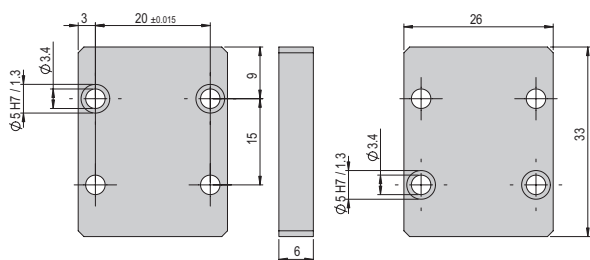
Connection plate VP 102	VP 102
<b>Order number</b>	<b>50077106</b>
<b>Net weight</b>	0.025 kg



## Included in the delivery

- 2x Mounting screw M3x16
- 2x Centering bushing  $\varnothing 5 \times 2.5$

Connection plate VP 103	VP 103
<b>Order number</b>	<b>50077107</b>
<b>Net weight</b>	0.013 kg

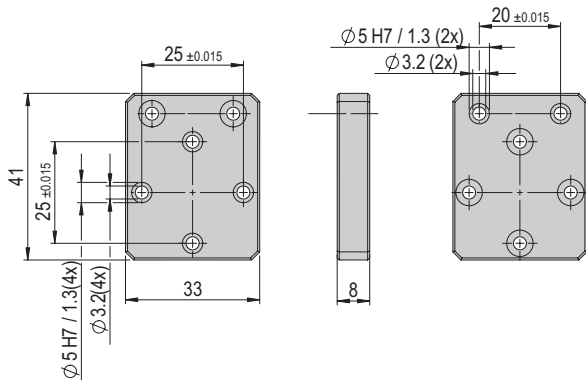


## Included in the delivery

- 4x Mounting screw M3x12
- 4x Centering bushing  $\varnothing 5 \times 2.5$

Connection plate VP 104 VP 104

**Order number** 50077108  
**Net weight** 0.026 kg

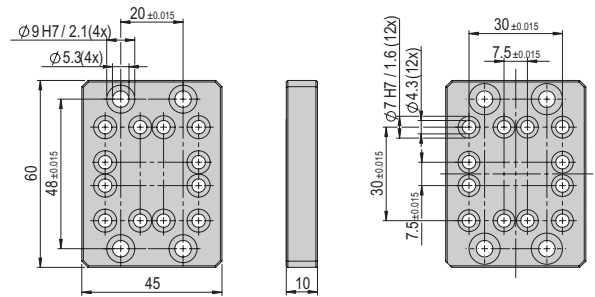


**Included in the delivery**

- 2x Mounting screw M3x10
- 2x Centering bushing Ø5x2.5

Connection plate VP 105 VP 105

**Order number** 50077109  
**Net weight** 0.057 kg

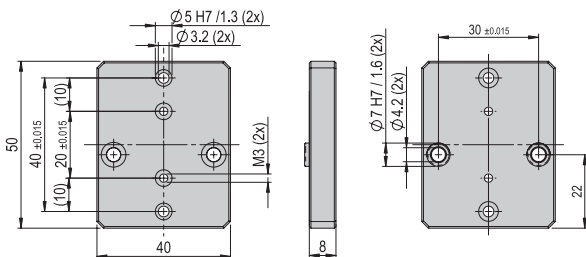


**Included in the delivery**

- 2x Centering bushing Ø7x3
- 2x Centering bushing Ø9x4
- 4x Mounting screw M4x12
- 4x Mounting screw M5x20

Connection plate VP 106 VP 106

**Order number** 50077110  
**Net weight** 0.041 kg

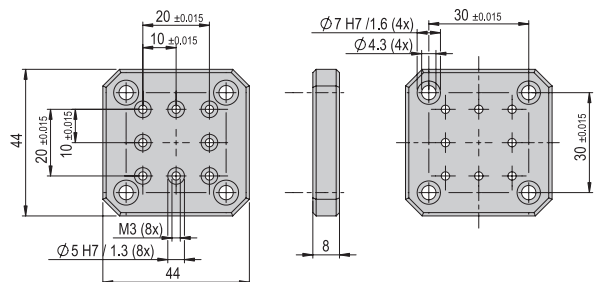


**Included in the delivery**

- 2x Centering bushing Ø7x3
- 2x Mounting screw M4x12

Connection plate VP 107 VP 107

**Order number** 50041056  
**Net weight** 0.038 kg

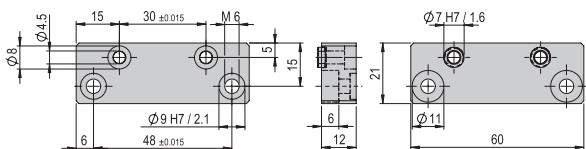


**Included in the delivery**

- 2x Centering bushing Ø7x3
- 4x Mounting screw M4x10

Connection plate VP 108 VP 108

**Order number** 50077113  
**Net weight** 0.035 kg

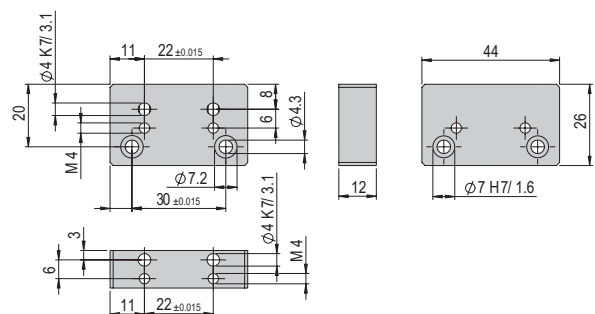


**Included in the delivery**

- 2x Centering bushing Ø7x3
- 2x Mounting screw M4x16
- 2x Mounting screw M6x16

Connection plate VP 109 VP 109

**Order number** 11016902  
**Net weight** 0.034 kg



**Included in the delivery**

- 2x Centering bushing Ø7x3
- 2x Mounting screw M4x14

Note: Connection plate, angle plates, flange plates can also be manufactured by the customer itself, please have a look at our website [www.afag.com](http://www.afag.com) where you can download shop drawings free of charge.

Connection plate VP 110

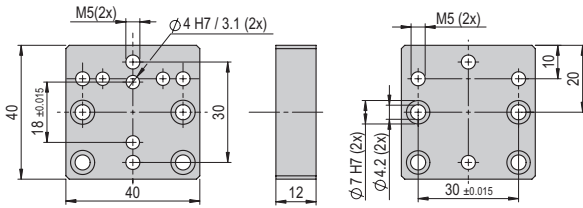
VP 110

Order number

50077115

Net weight

0.044 kg



Included in the delivery

- 2x Centering bushing Ø7x3
- 4x Mounting screw M4x12

Connection plate VP 111

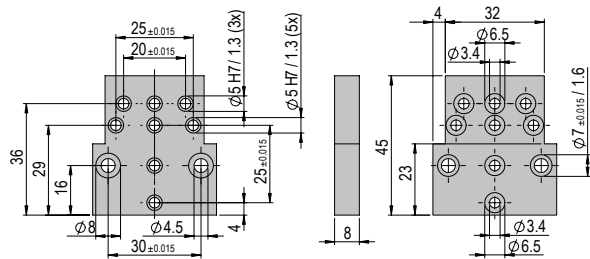
VP 111

Order number

50077116

Net weight

0.03 kg



Included in the delivery

- 2x Centering bushing Ø7x3
- 2x Mounting screw M3x10
- 2x Mounting screw M4x12
- 2x Centering bushing Ø5x2.5

Connection plate VP 112

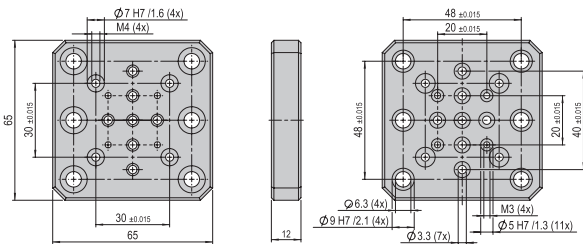
VP 112

Order number

50041068

Net weight

0.112 kg



Included in the delivery

- 2x Centering bushing Ø9x4
- 2x Mounting screw M3x16
- 2x Centering bushing Ø5x2.5
- 2x Mounting screw M4x10
- 4x Mounting screw M4x20
- 4x Mounting screw M6x16

Connection plate VP 113

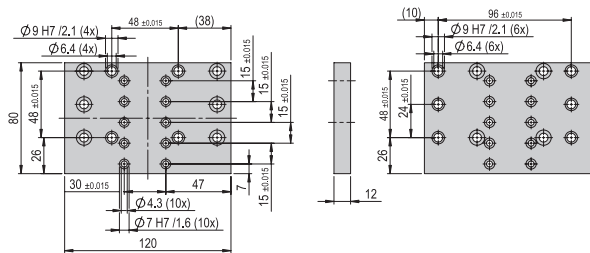
VP 113

Order number

50077118

Net weight

0.274 kg



Included in the delivery

- 2x Centering bushing Ø9x4
- 4x Mounting screw M4x12
- 4x Mounting screw M6x14
- 8x Mounting screw M6x20

Connection plate VP 114

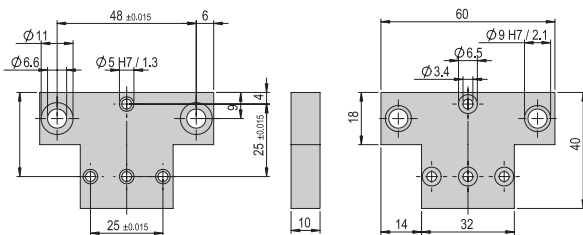
VP 114

Order number

50077119

Net weight

0.041 kg



Included in the delivery

- 2x Centering bushing Ø9x4
- 2x Mounting screw M3x12
- 2x Mounting screw M6x14
- 2x Centering bushing Ø5x2.5

Connection plate VP 115

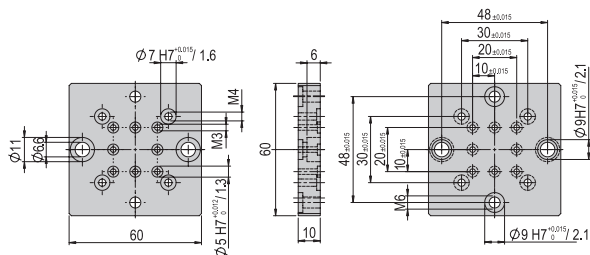
VP 115

Order number

50077120

Net weight

0.086 kg



Included in the delivery

- 2x Centering bushing Ø9x4
- 2x Mounting screw M6x14
- 2x Mounting screw M6x16
- 2 Mounting screw M6x25

Connection plate VP 117

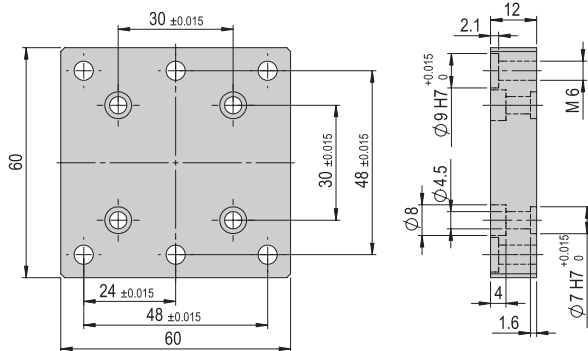
VP 117

Order number

50077121

Net weight

0.393 kg



Included in the delivery

- 2x Centering bushing Ø7x3
- 4x Mounting screw M4x16
- 4x Mounting screw M6x20
- 4x Mounting screw M6x30
- 4x Special screw M6 x 20/11

Connection plate VP 118

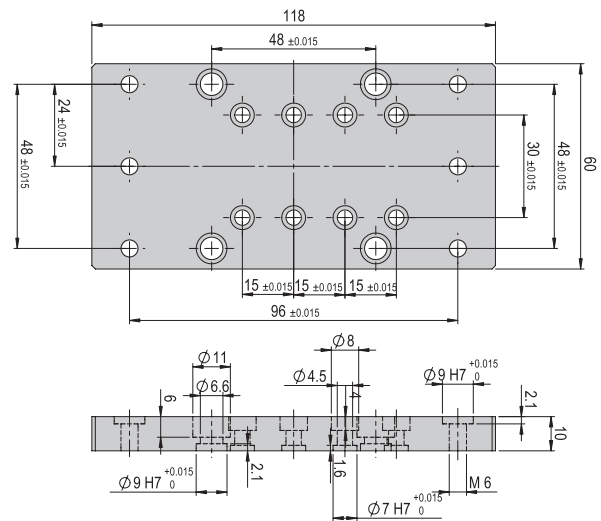
VP 118

Order number

50077122

Net weight

0.171 kg



Included in the delivery

- 2x Centering bushing Ø7x3
- 2x Centering bushing Ø9x4
- 4x Mounting screw M4x12
- 4x Mounting screw M6x16
- 4x Mounting screw M6x20

Connection plate VP 119

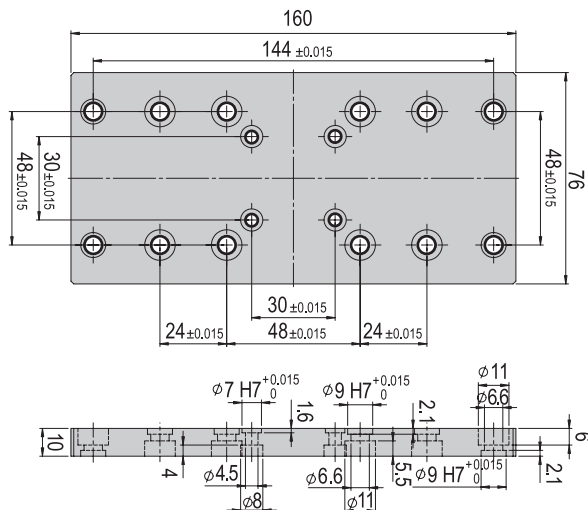
VP 119

Order number

11017417

Net weight

0.298 kg



Included in the delivery

- 2x Centering bushing Ø7x3
- 4x Centering bushing Ø9x4
- 4x Mounting screw M4x14
- 4x Mounting screw M6x12
- 8x Mounting screw M6x16

Connection plate VP 120

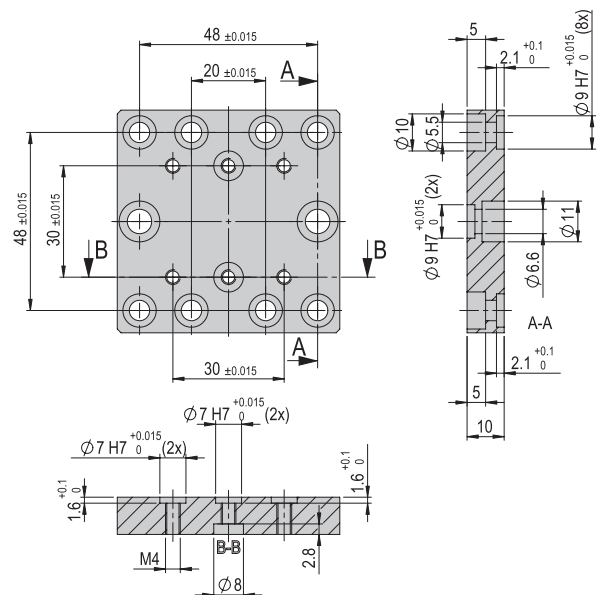
VP 120

Order number

11010369

Net weight

0.079 kg



Included in the delivery

- 4x Centering bushing Ø9x4
- 2x Mounting screw M4x12
- 4x Mounting screw M5x16
- 4x Mounting screw M6x16

Note: Connection plate, angle plates, flange plates can also be manufactured by the customer itself, please have a look at our website [www.afag.com](http://www.afag.com) where you can download shop drawings free of charge.

Connection plate VP 122

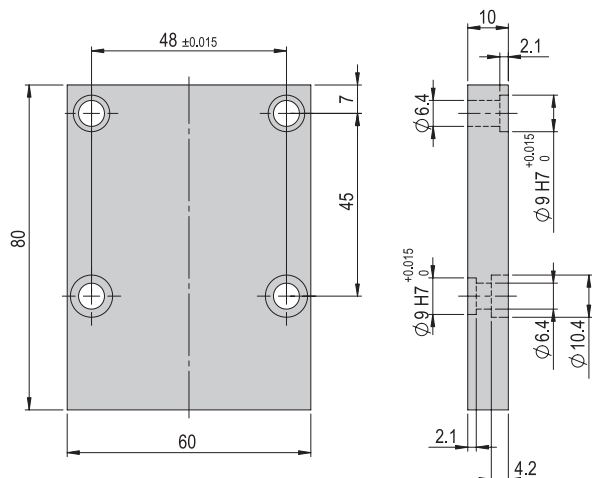
VP 122

Order number

11001621

Net weight

0.123 kg



Included in the delivery

- 4x Centering bushing  $\varnothing 9 \times 4$
- 2x Mounting screw M6x16
- 2x Mounting screw M6x20

Connection plate VP 125

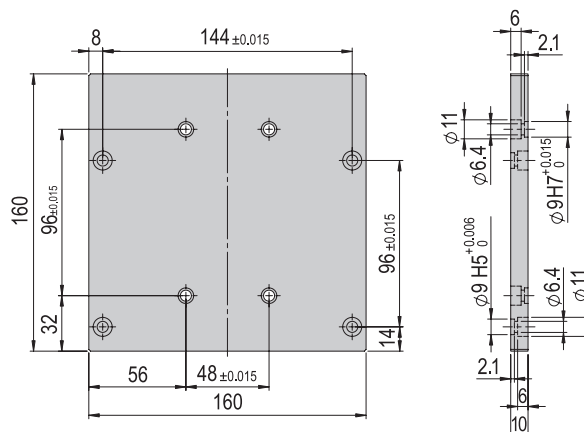
VP 125

Order number

50017888

Net weight

0.409 kg



Included in the delivery

- 8x Centering bushing  $\varnothing 9 \times 4$
- 8x Mounting screw M6x16

Connection plate VP 126

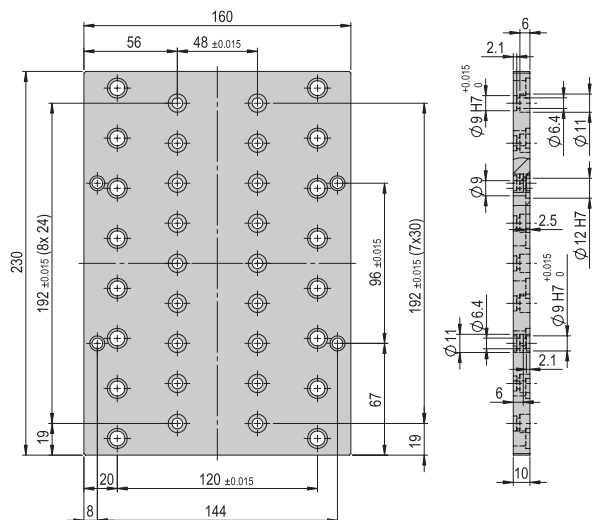
VP 126

Order number

50077130

Net weight

1.04 kg



Included in the delivery

- 4x Centering bushing  $\varnothing 9 \times 4$
- 2x Centering bushing  $\varnothing 12 \times 4.8$
- 4x Mounting screw M6x12
- 4x Mounting screw M6x18
- 4x Mounting screw M8x25

Connection plate VP 127

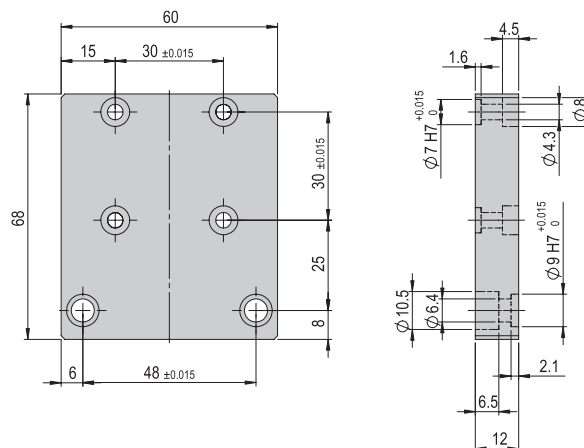
VP 127

Order number

50003068

Net weight

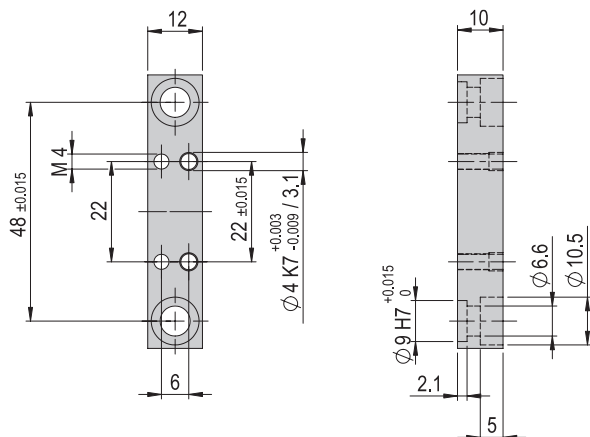
0.122 kg



Included in the delivery

- 2x Centering bushing  $\varnothing 7 \times 3$
- 2x Centering bushing  $\varnothing 9 \times 4$
- 4x Mounting screw M4x14
- 4x Mounting screw M4x20
- 2x Mounting screw M6x12
- 2x Mounting screw M6x20

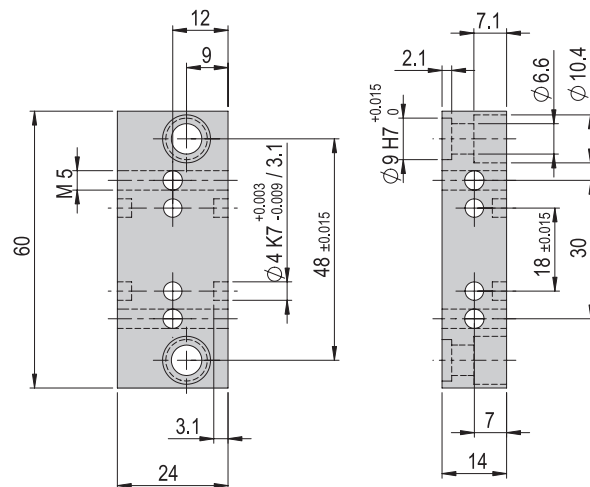
Connection plate VP 128	VP 128
<b>Order number</b>	<b>11005908</b>
Net weight	0.015 kg



#### Included in the delivery

- 2x Centering bushing Ø9x4
- 2x Mounting screw M4x30
- 2x Mounting screw M6x20
- 2x Washer M4

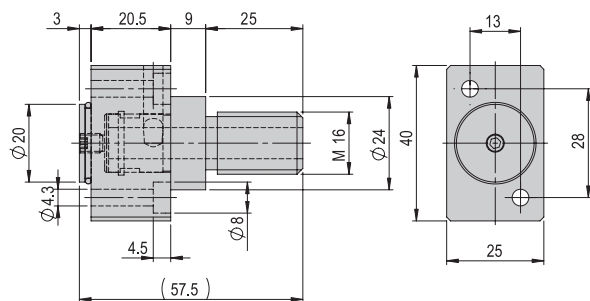
Connection plate VP 129	VP 129
<b>Order number</b>	<b>11001440</b>
Net weight	0.045 kg



#### Included in the delivery

- 2x Centering bushing Ø9x4
- 2x Mounting screw M6x20

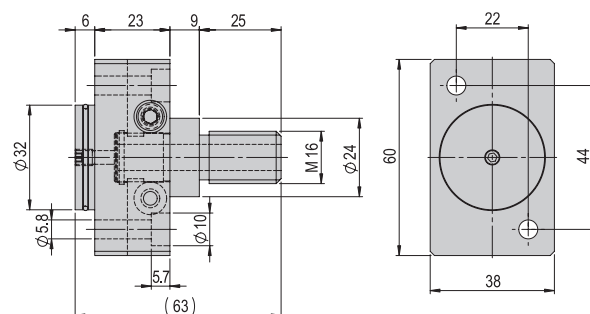
Connection plate VP 130	VP 130
<b>Order number</b>	<b>11009167</b>
Net weight	0.121 kg



#### Included in the delivery

- 2x Mounting screw M4x25
- 1x Set screw M5x6
- 1x Set screw M6x8
- 1x O-ring 15x1 mm
- 1x O-ring 18x1.5 mm
- 1x Lardon

Connection plate VP 131	VP 131
<b>Order number</b>	<b>11009168</b>
Net weight	0.241 kg



#### Included in the delivery

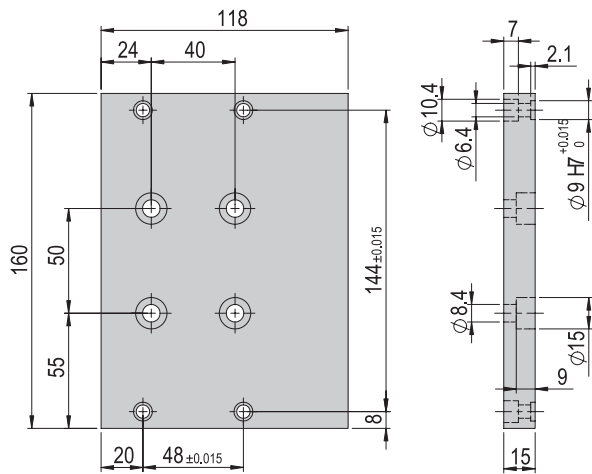
- 2x Mounting screw M5x30
- 1x Set screw M5x6
- 1x O-ring 15x1 mm
- 1x O-ring 29x1.5 mm

Note: Connection plate, angle plates, flange plates can also be manufactured by the customer itself, please have a look at our website [www.afag.com](http://www.afag.com) where you can download shop drawings free of charge.



Connection plate VP 132 VP 132

**Order number** 11004894  
**Net weight** 0.747 kg

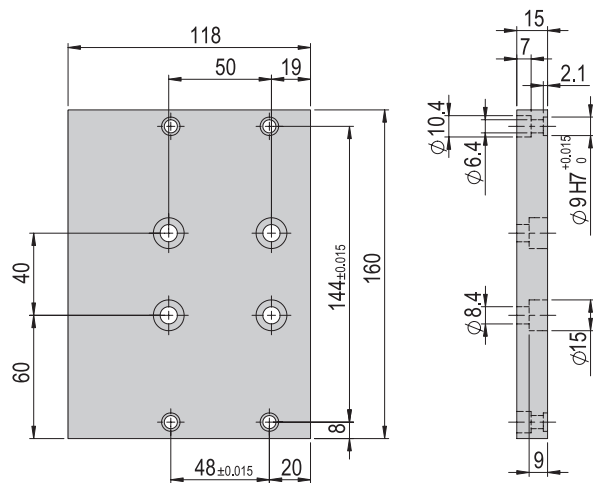


**Included in the delivery**

- 4x Centering bushing Ø9x4
- 4x Mounting screw M6x20
- 4x Mounting screw M8x25

Connection plate VP 133 VP 133

**Order number** 11004975  
**Net weight** 0.747 kg

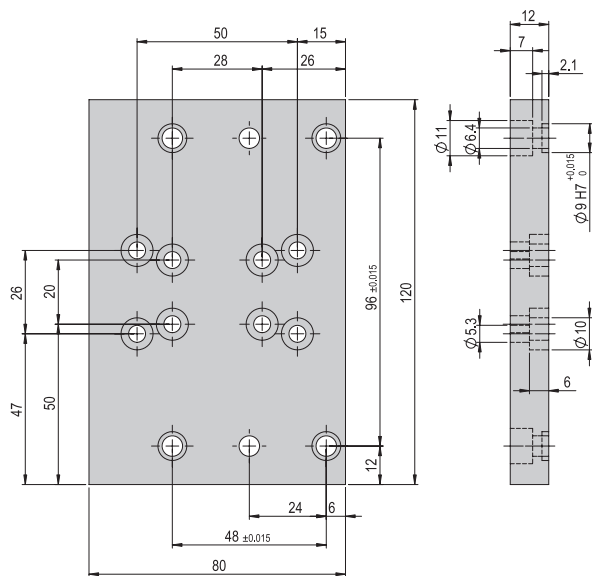


**Included in the delivery**

- 4x Centering bushing Ø9x4
- 4x Mounting screw M6x20
- 4x Mounting screw M8x16
- 4x T-nut M8

Connection plate VP 134 VP 134

**Order number** 11014949  
**Net weight** 0.282 kg

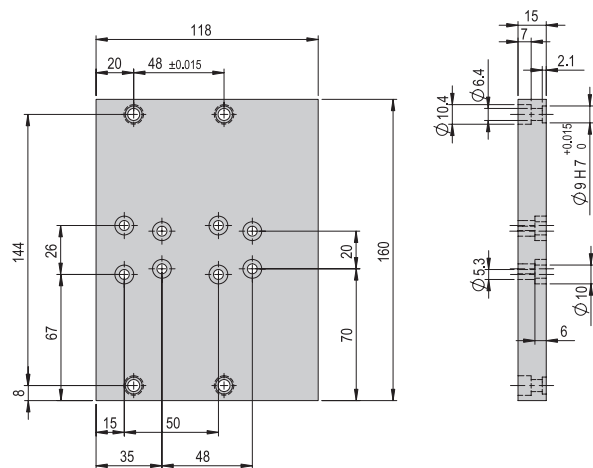


**Included in the delivery**

- 2x Centering bushing Ø9x4
- 4x Mounting screw M5x12
- 4x Mounting screw M5x16
- 4x Mounting screw M6x20
- 4x T-nut M5

Connection plate VP 135 VP 135

**Order number** 11014954  
**Net weight** 0.747 kg



**Included in the delivery**

- 2x Centering bushing Ø9x4
- 4x Mounting screw M5x12
- 4x Mounting screw M5x16
- 4x Mounting screw M6x20
- 4x T-nut M5

Connection plate VP 136

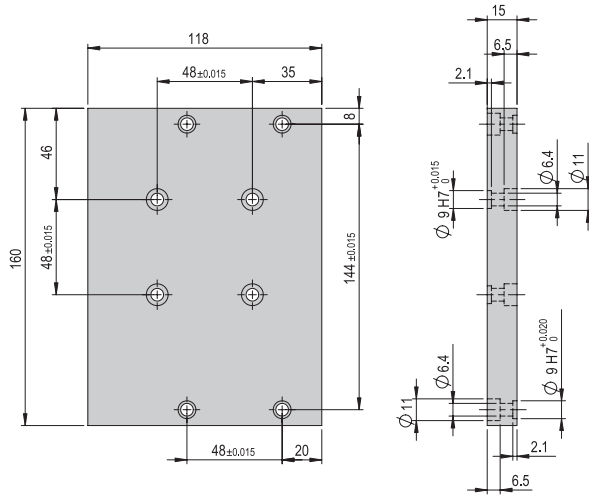
VP 136

Order number

11014931

Net weight

0.747 kg



Included in the delivery

- 4x Centering bushing  $\varnothing 9 \times 4$
- 4x Mounting screw M6x16
- 4x Mounting screw M6x20

Connection plate VP 137

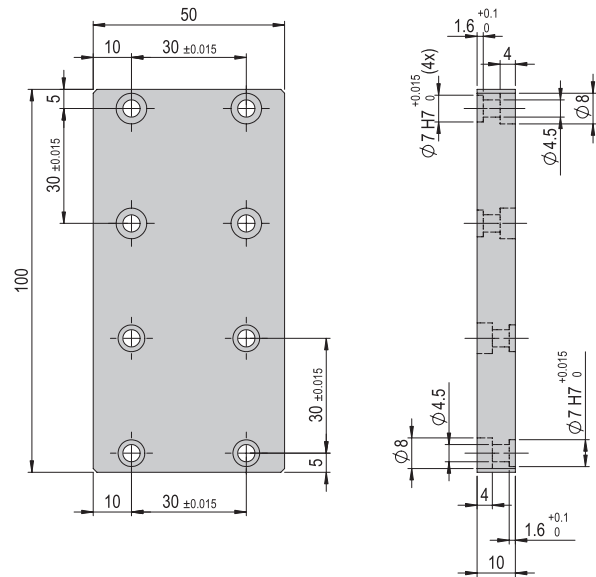
VP 137

Order number

50095813

Net weight

0.126 kg



Included in the delivery

- 4x Centering bushing  $\varnothing 7 \times 3$
- 4x Mounting screw M4x10
- 8x Mounting screw M4x14

Connection plate VP 138

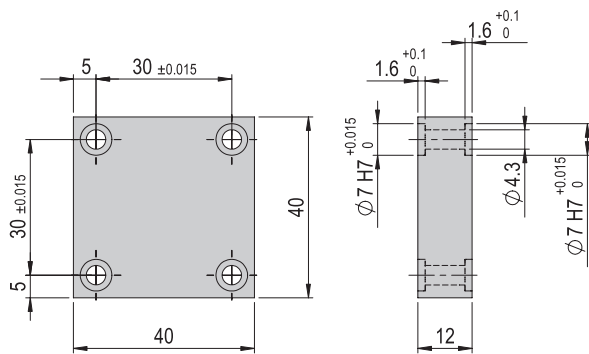
VP 138

Order number

50001370

Net weight

0.049 kg



Included in the delivery

- 2x Centering bushing  $\varnothing 7 \times 3$
- 4x Mounting screw M4x30

Connection plate VP 139

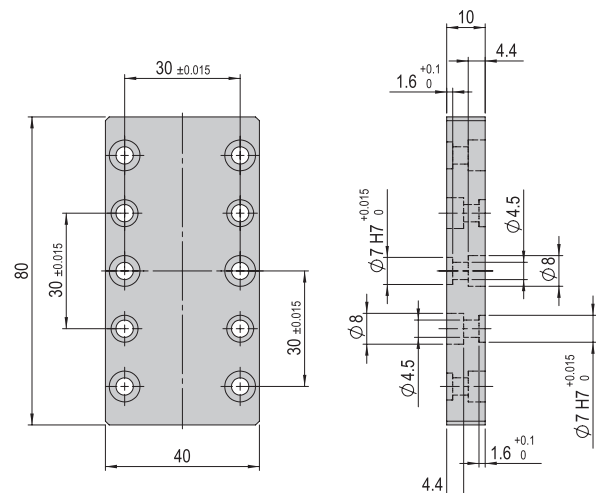
VP 139

Order number

11017960

Net weight

0.078 kg



Included in the delivery

- 4x Centering bushing  $\varnothing 7 \times 3$
- 8x Mounting screw M4x14

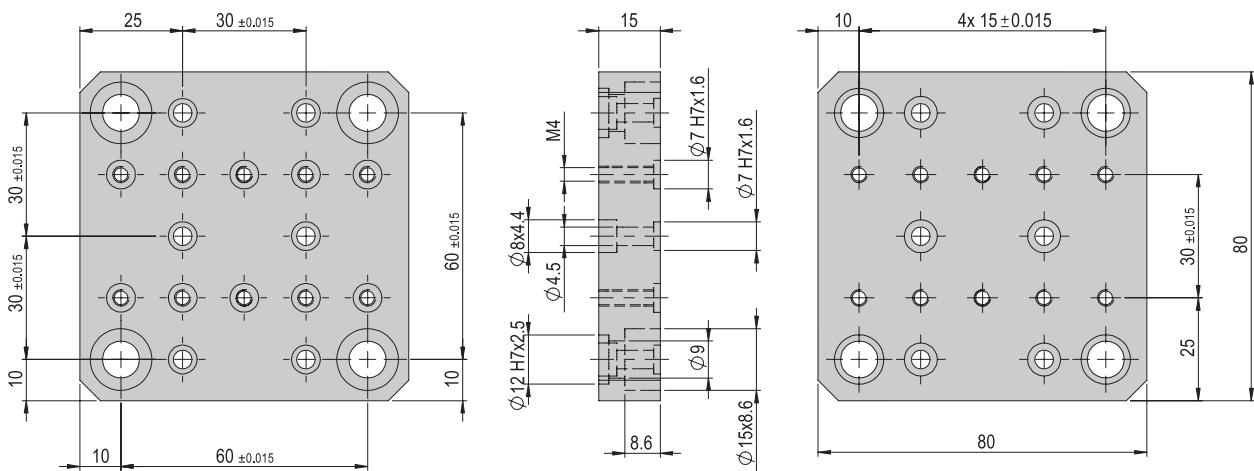
Note: Connection plate, angle plates, flange plates can also be manufactured by the customer itself, please have a look at our website [www.afag.com](http://www.afag.com) where you can download shop drawings free of charge.

**Order number**

**50214488**

Net weight

0.3 kg



**Included in the delivery**

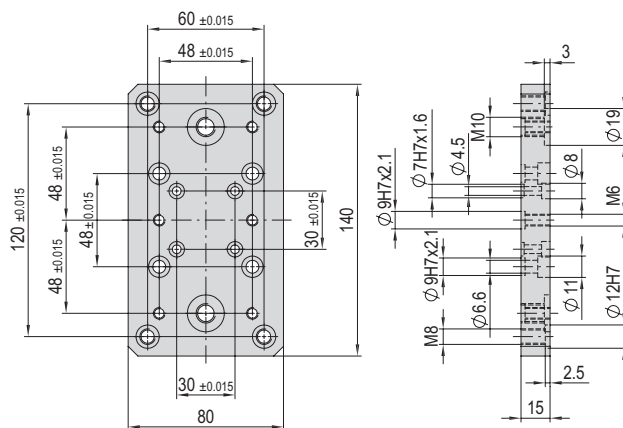
- 2x Centering bushing  $\varnothing 7 \times 3$
- 2x Centering bushing  $\varnothing 12 \times 4.8$
- 4x Mounting screw M4x18
- 4x Mounting screw M8x20

**Order number**

**50272311**

Net weight

0.465 kg



**Included in the delivery**

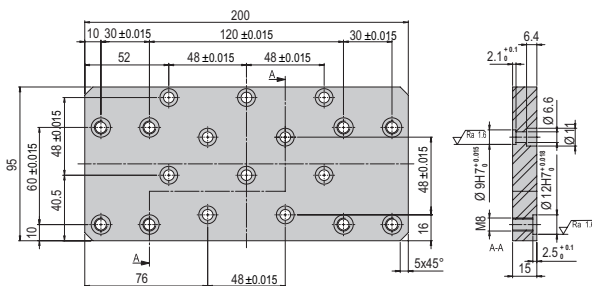
- 2x Centering bushing  $\varnothing 9 \times 4$
- 4x Special screw M8 x 30/15
- 4x Mounting screw M4x20
- 4x Mounting screw M6x20

**Order number**

**50272384**

Net weight

0.789 kg



**Included in the delivery**

- 4x Centering bushing  $\varnothing 9 \times 4$
- 4x Special screw M8 x 30/15
- 4x Mounting screw M6x20

Connection plate VP 144

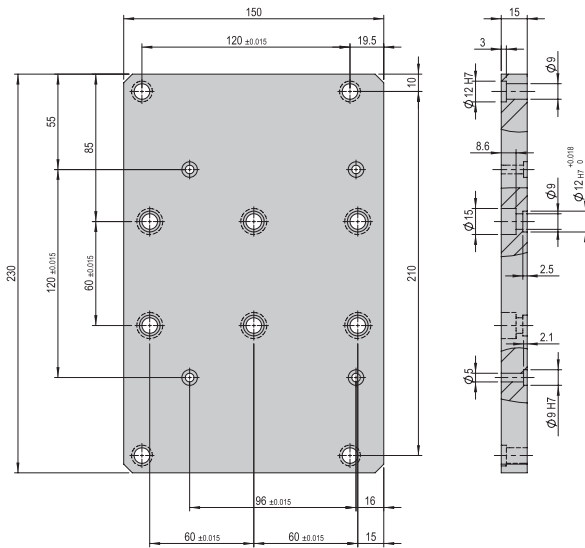
VP 144

Order number

50280005

Net weight

1.46 kg



Included in the delivery

- 2x Centering bushing  $\varnothing 12 \times 4.8$
- 4x Mounting screw M6x20
- 4x Mounting screw M8x20
- 4x Mounting screw M8x30

Connection plate VP 145

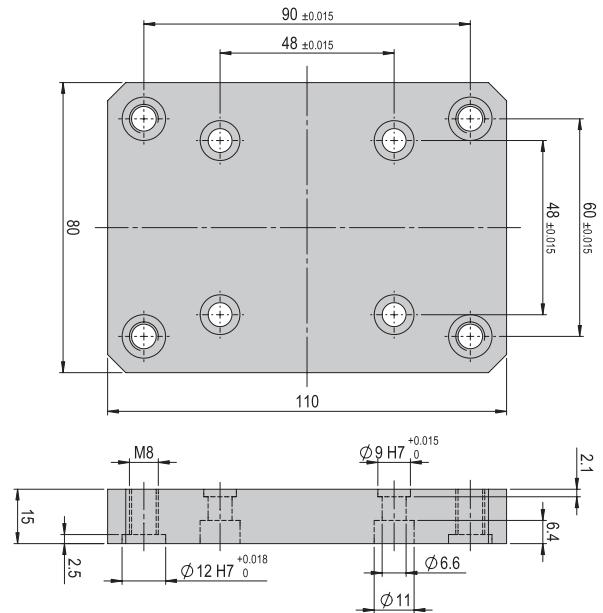
VP 145

Order number

50272309

Net weight

0.368 kg



Included in the delivery

- 2x Centering bushing  $\varnothing 9 \times 4$
- 4x Mounting screw M6x20

Connection plate VP 146

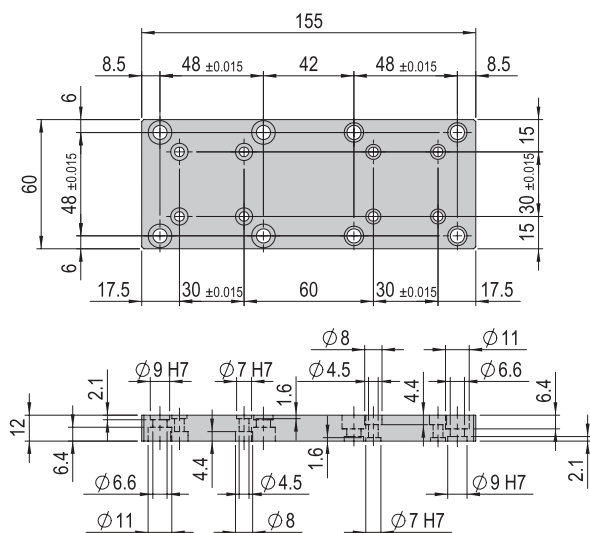
VP 146

Order number

50331960

Net weight

0.36 kg



Included in the delivery

- 4x Centering bushing  $\varnothing 7 \times 3$
- 4x Centering bushing  $\varnothing 9 \times 4$
- 8x Mounting screw M4x14
- 4x Mounting screw M6x12
- 8x Mounting screw M6x16

Connection plate VP 147

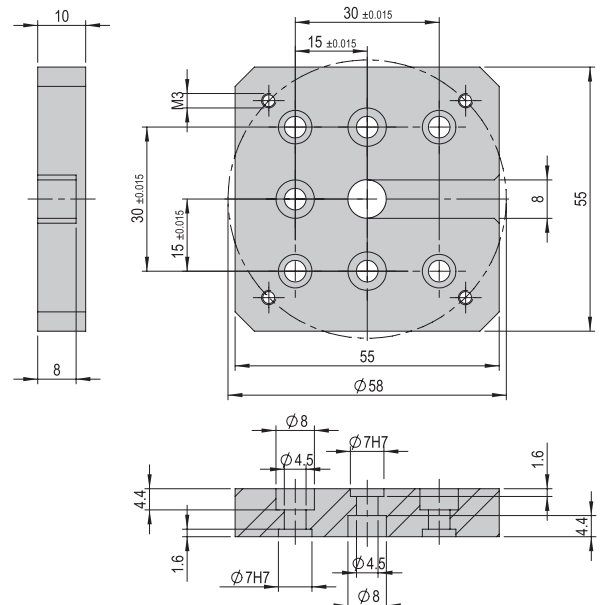
VP 147

Order number

50332006

Net weight

0.07 kg



Included in the delivery

- 2x Centering bushing  $\varnothing 7 \times 3$
- 4x Mounting screw M4x14

Note: Connection plate, angle plates, flange plates can also be manufactured by the customer itself, please have a look at our website [www.afag.com](http://www.afag.com) where you can download shop drawings free of charge.

Connection plate VP 148

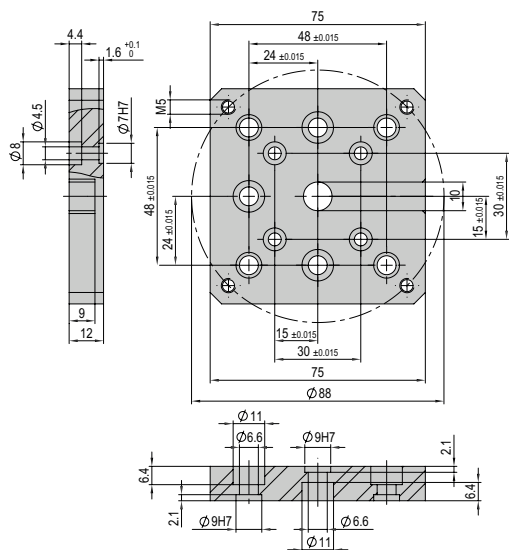
VP 148

Order number

50332008

Net weight

0.181 kg



Included in the delivery

- 2x Centering bushing  $\Phi 9 \times 4$
- 4x Mounting screw M6x16

Connection plate VP 149

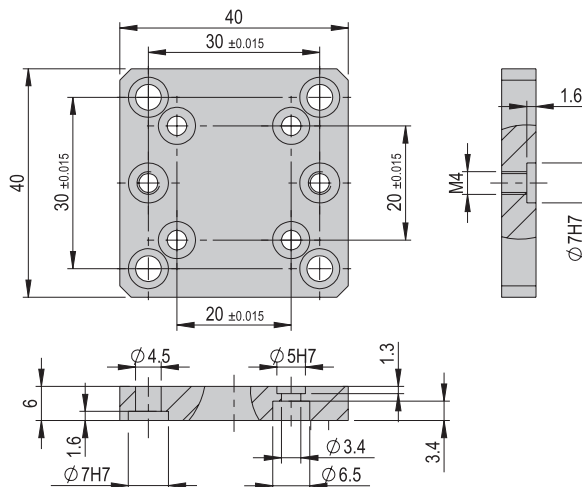
VP 149

Order number

50332010

Net weight

0.03 kg



Included in the delivery

- 2x Centering bushing  $\Phi 7 \times 3$
- 4x Mounting screw M3x10
- 2x Mounting screw M4x10
- 4x Mounting screw M4x14
- 2x Centering bushing  $\Phi 5 \times 2.5$

Connection plate VP 150

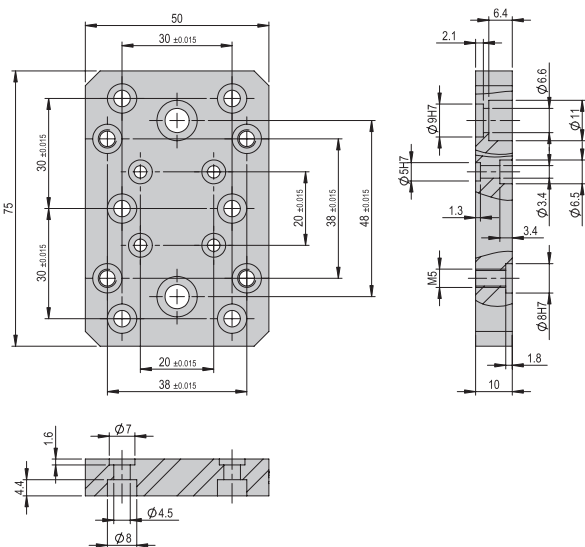
VP 150

Order number

50333787

Net weight

0.12 kg



Included in the delivery

- 2x Centering bushing  $\Phi 7 \times 3$
- 2x Centering bushing  $\Phi 9 \times 4$
- 4x Mounting screw M3x14
- 4x Mounting screw M4x12
- 2x Mounting screw M6x14
- 2x Centering bushing  $\Phi 5 \times 2.5$

Connection plate VP 151

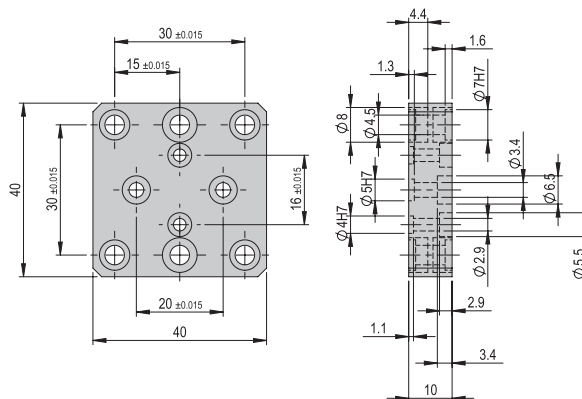
VP 151

Order number

50353062

Net weight

0.05 kg



Included in the delivery

- 2x Centering bushing  $\Phi 7 \times 3$
- 2x Mounting screw M2.5x10
- 2x Mounting screw M3x10
- 6x Mounting screw M4x12

Connection plate VP 152

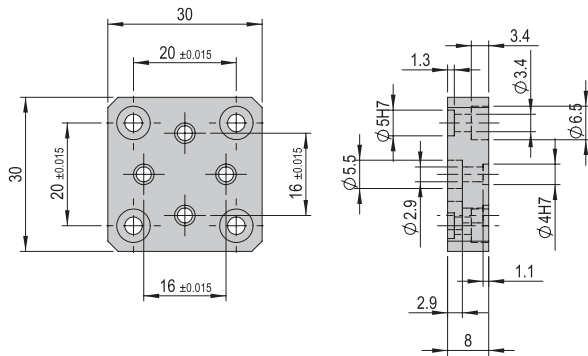
VP 152

**Order number**

**50353197**

Net weight

0.02 kg



**Included in the delivery**

- 2x Mounting screw M2.5x8
- 4x Mounting screw M3x10
- 2x Centering bushing Ø5x2.5

Connection plate VP 153

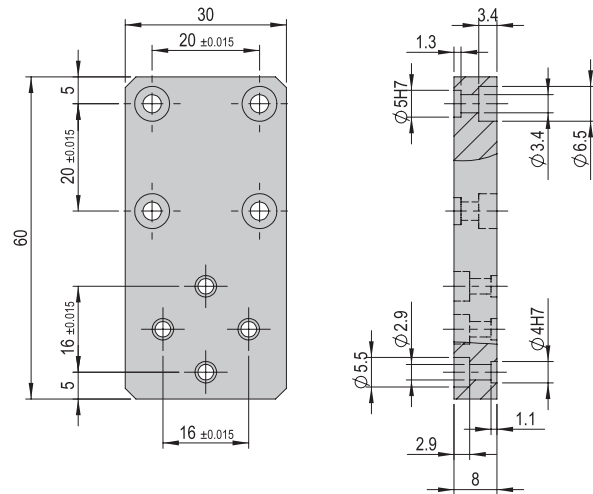
VP 153

**Order number**

**50353229**

Net weight

0.11 kg



**Included in the delivery**

- 2x Mounting screw M2.5x8
- 4x Mounting screw M3x10
- 2x Centering bushing Ø5x2.5

Connection plate VP 154

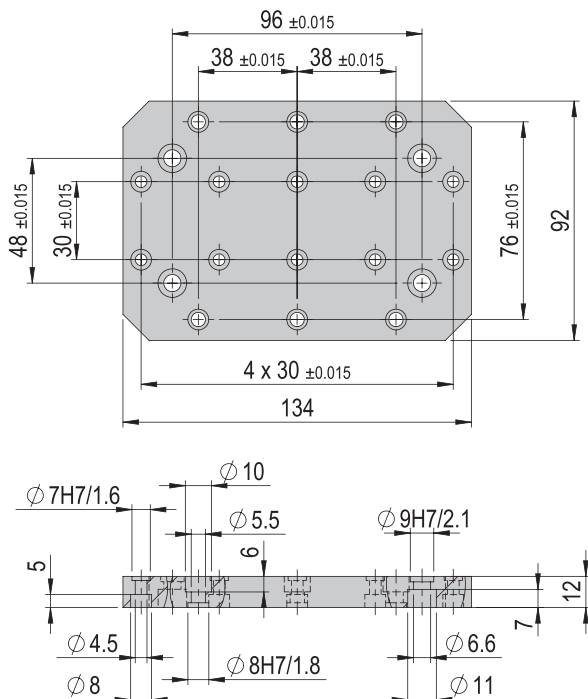
VP 154

**Order number**

**50400907**

Net weight

0.418 kg



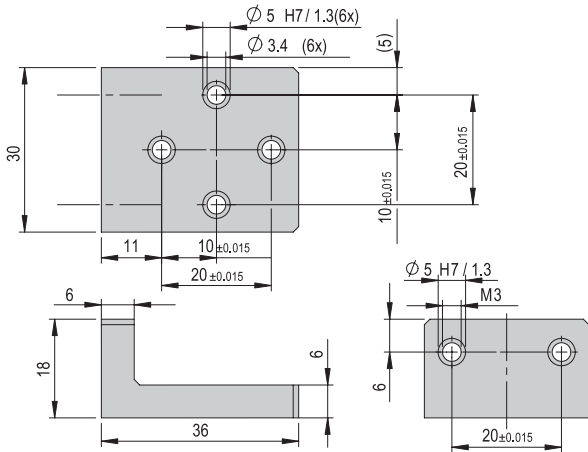
**Included in the delivery**

- 2x Centering bushing Ø7x3
- 2x Centering bushing Ø9x4
- 4x Mounting screw M4x14
- 6x Mounting screw M5x16
- 4x Mounting screw M6x16
- 2x Centering bushing Ø8x3.5

Note: Connection plate, angle plates, flange plates can also be manufactured by the customer itself, please have a look at our website [www.afag.com](http://www.afag.com) where you can download shop drawings free of charge.

# Angle plates VW

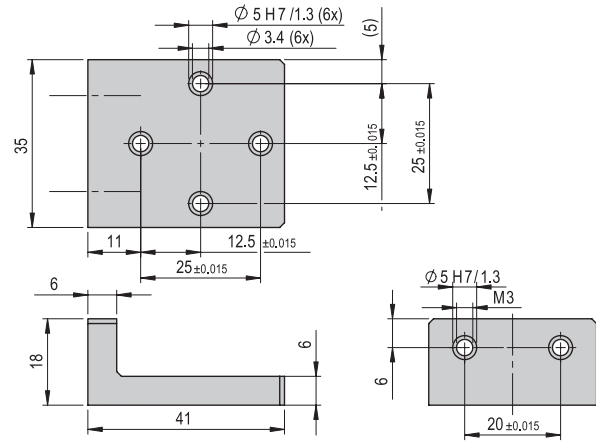
Angle plate VW 300	VW 300
<b>Order number</b>	<b>50077143</b>
<b>Net weight</b>	0.022 kg



## Included in the delivery

- 2x Mounting screw M3x12
- 2x Centering bushing  $\varnothing 5 \times 2.5$

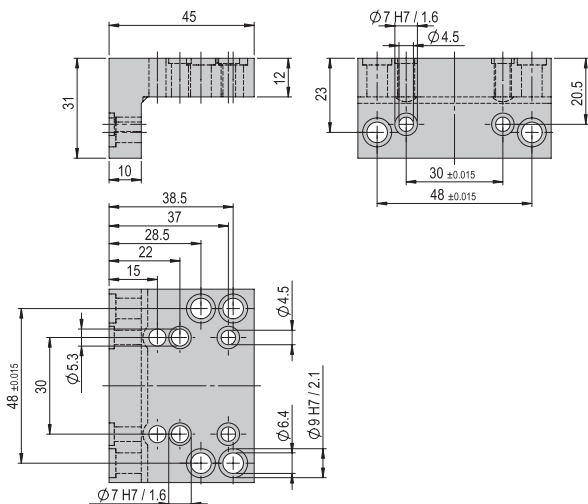
Angle plate VW 301	VW 301
<b>Order number</b>	<b>50077144</b>
<b>Net weight</b>	0.029 kg



## Included in the delivery

- 2x Mounting screw M3x12
- 2x Centering bushing  $\varnothing 5 \times 2.5$

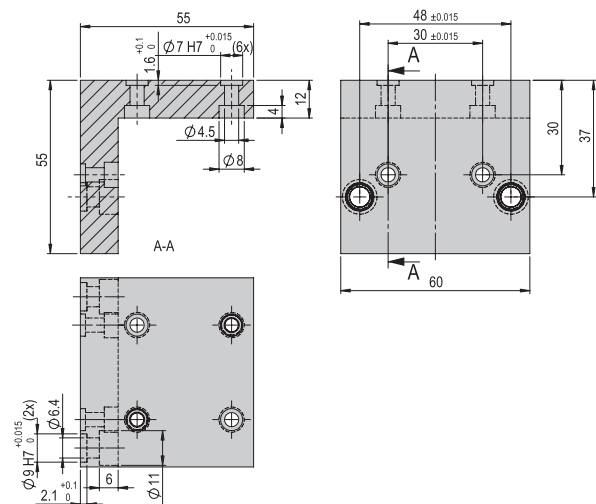
Angle plate VW 302	VW 302
<b>Order number</b>	<b>11012241</b>
<b>Net weight</b>	0.183 kg



## Included in the delivery

- 4x Centering bushing  $\varnothing 9 \times 4$
- 2x Mounting screw M4x18
- 2x Mounting screw M5x20
- 4x Mounting screw M6x18
- 4x Mounting screw M6x25
- 2x Ribbed washer M4
- 2x Ribbed washer M5
- 8x Ribbed washer M6

Angle plate VW 303	VW 303
<b>Order number</b>	<b>50077145</b>
<b>Net weight</b>	0.182 kg



## Included in the delivery

- 2x Centering bushing  $\varnothing 7 \times 3$
- 2x Centering bushing  $\varnothing 9 \times 4$
- 6x Mounting screw M4x14
- 2x Mounting screw M6x18







Angle plate VW 315

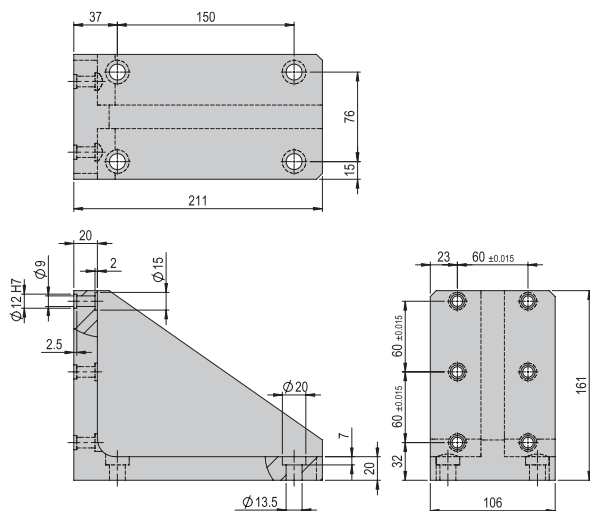
VW 315

Order number

50254013

Net weight

3.075 kg



Included in the delivery

- 2x Centering bushing  $\phi 12 \times 4.8$
- 4x Mounting screw M8x35
- 4x Mounting screw M10x20
- 4x T-nut M10

Angle plate VW 316

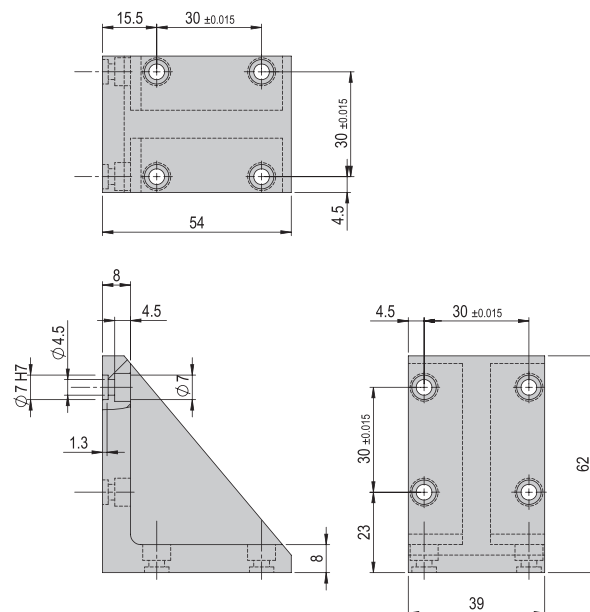
VW 316

Order number

50279234

Net weight

0.21 kg



Included in the delivery

- 2x Centering bushing  $\phi 7 \times 3$
- 4x Mounting screw M4x14
- 4x Mounting screw M4x20

Angle plate VW 317

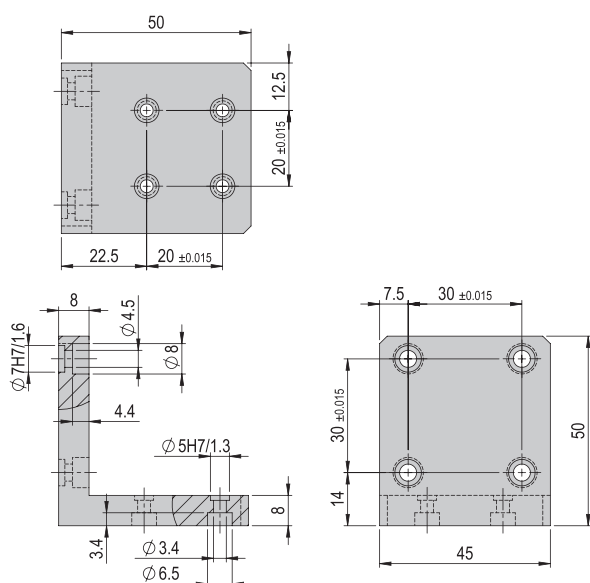
VW 317

Order number

50373127

Net weight

0.099 kg



Included in the delivery

- 2x Centering bushing  $\phi 7 \times 3$
- 4x Mounting screw M3x12
- 4x Mounting screw M4x12
- 2x Centering bushing  $\phi 5 \times 2.5$

Angle plate VW 318

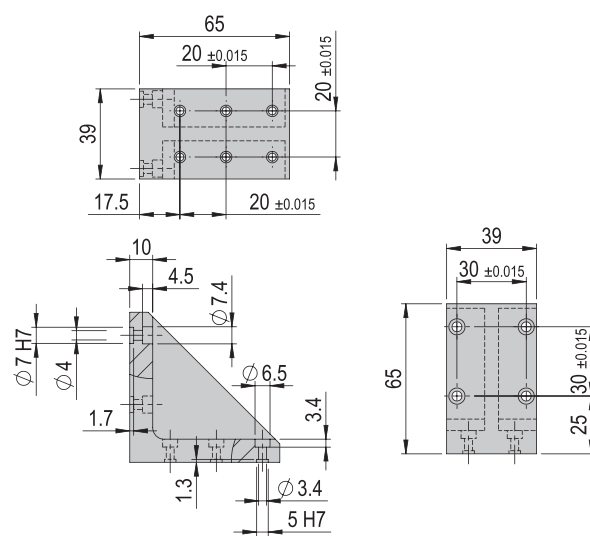
VW 318

Order number

50390283

Net weight

0.162 kg



Included in the delivery

- 2x Centering bushing  $\phi 7 \times 3$
- 6x Mounting screw M3x14
- 4x Mounting screw M4x14
- 2x Centering bushing  $\phi 5 \times 2.5$

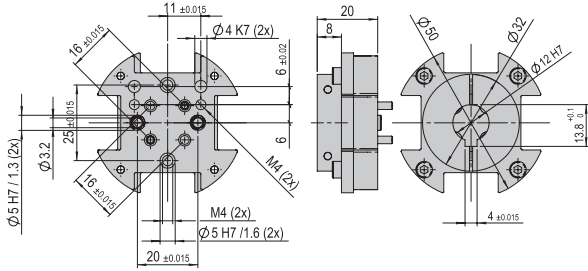
Note: Connection plate, angle plates, flange plates can also be manufactured by the customer itself, please have a look at our website [www.afag.com](http://www.afag.com) where you can download shop drawings free of charge.





# Flange plates VF

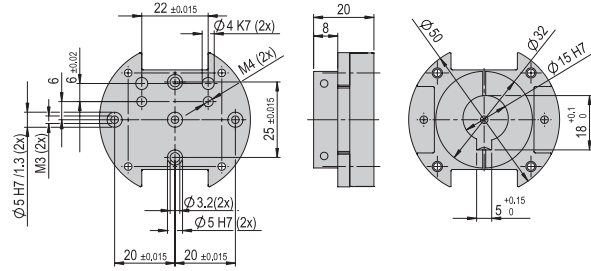
Flange plate VF 400	VF 400
<b>Order number</b>	<b>50077146</b>
Net weight	0.06 kg



### Included in the delivery

- 2x Mounting screw M2.5x10
- 2x Mounting screw M3x12
- 2x Centering bushing Ø5x2.5

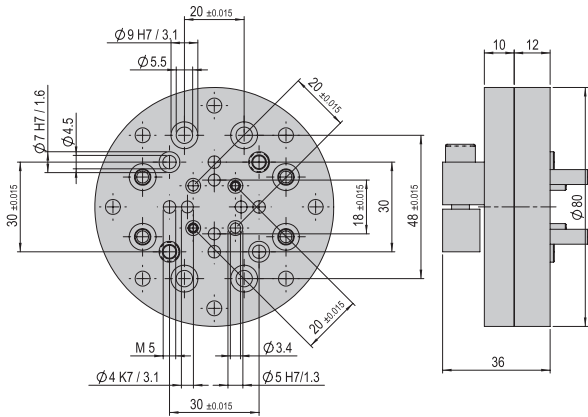
Flange plate VF 401	VF 401
<b>Order number</b>	<b>50077147</b>
Net weight	0.064 kg



### Included in the delivery

- 2x Mounting screw M3x12
- 2x Centering bushing Ø5x2.5

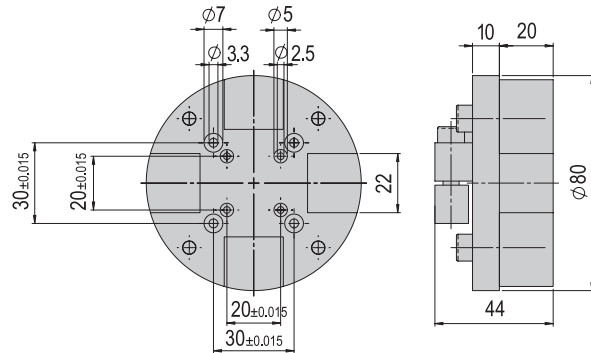
Flange plate VF 403	VF 403
<b>Order number</b>	<b>50077217</b>
Net weight	0.039 kg



### Included in the delivery

- 2x Centering bushing Ø7x3
- 2x Centering bushing Ø9x4
- 2x Mounting screw M3x14
- 4x Mounting screw M4x16
- 4x Mounting screw M5x20

Flange plate VF 404	VF 404
<b>Order number</b>	<b>50077218</b>
Net weight	0.374 kg



### Included in the delivery

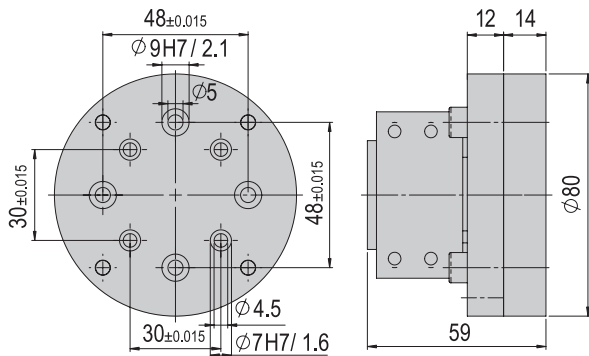
- 2x Centering bushing Ø9x4
- 4x Mounting screw M5x25

Note: Connection plate, angle plates, flange plates can also be manufactured by the customer itself, please have a look at our website [www.afag.com](http://www.afag.com) where you can download shop drawings free of charge.

Flange plate VF 405 VF 405

Order number 50077219

Net weight 0.527 kg



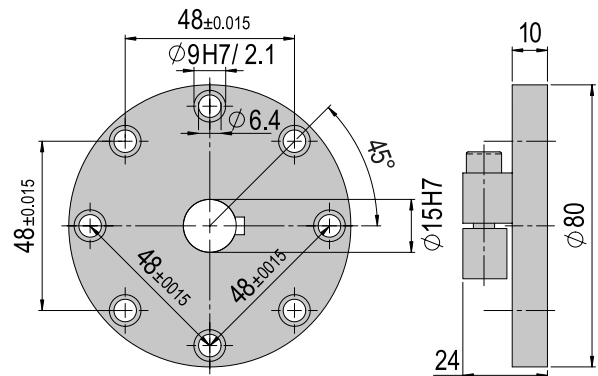
Included in the delivery

- 4x Mounting screw M4x20

Flange plate VF 406 VF 406

Order number 50077220

Net weight 0.173 kg



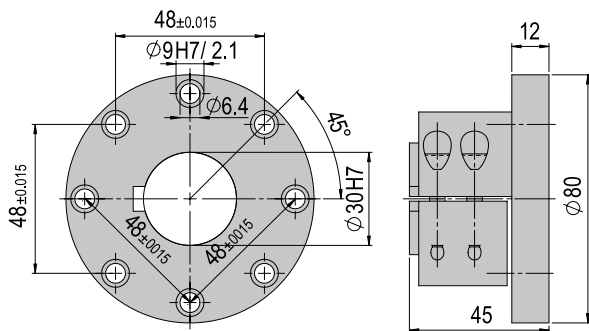
Included in the delivery

- 2x Centering bushing Ø9x4
- 4x Mounting screw M6x18
- 4x Mounting screw M6x25

Flange plate VF 407 VF 407

Order number 11001847

Net weight 0.274 kg



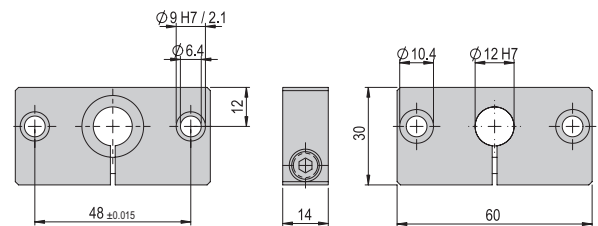
Included in the delivery

- 2x Centering bushing Ø9x4
- 4x Mounting screw M6x25

Flange plate VF 409 VF 409

Order number 11001825

Net weight 0.075 kg



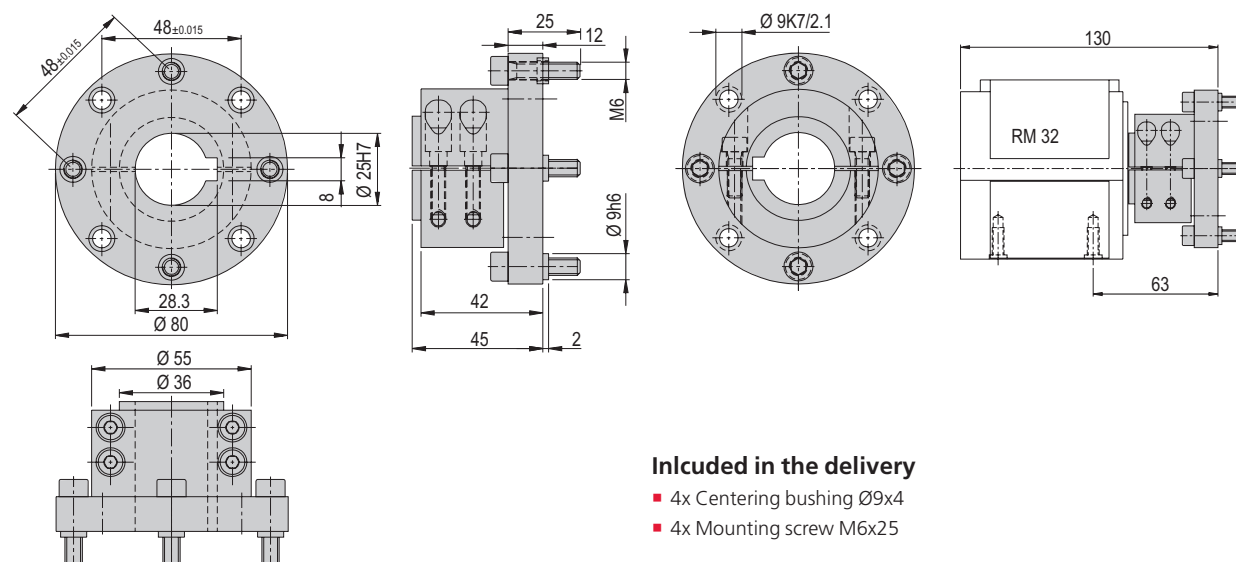
Included in the delivery

- 2x Centering bushing Ø9x4
- 4x Mounting screw M6x20

Flange plate VF 410 VF 410

Order number 11001821

Net weight 0.32 kg



Included in the delivery

- 4x Centering bushing Ø9x4
- 4x Mounting screw M6x25

# Connecting set VS

Connecting set VS 500	VS 500
<b>Order number</b>	<b>50074821</b>
Net weight	0.01 kg

### Included in the delivery

- 4x Special screw M4 x 18/9

Connecting set VS 502	VS 502
<b>Order number</b>	<b>50074823</b>
Net weight	0.01 kg

### Included in the delivery

- 4x Special screw M6 x 20/11

Connecting set VS 504	VS 504
<b>Order number</b>	<b>50074825</b>
Net weight	0.18 kg

### Included in the delivery

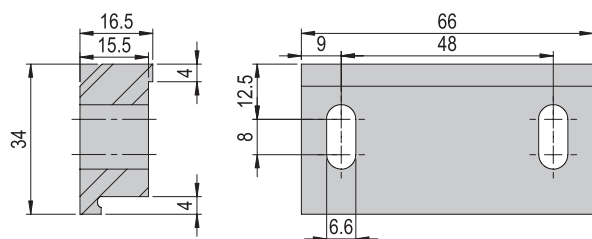
- 4x Mounting screw M8x30
- 4x Mounting screw M8x40
- 4x T-nut M8

Connecting set VS 506	VS 506
<b>Order number</b>	<b>50077086</b>
Net weight	0.01 kg

### Included in the delivery

- 2x Special screw M6 x 36/8

Connecting set VS 508	VS 508
<b>Order number</b>	<b>50254005</b>
Net weight	0.077 kg
Suitable for	PEZ-65



### Included in the delivery

- 4x Mounting screw M6x30
- 2x Washer M6
- 1x Clamping jaws PEZ-65

Connecting set VS 501	VS 501
<b>Order number</b>	<b>50074822</b>
Net weight	0.01 kg

### Included in the delivery

- 4x Special screw M6 x 36/8

Connecting set VS 503	VS 503
<b>Order number</b>	<b>50074824</b>
Net weight	0.005 kg

### Included in the delivery

- 2x Special screw M3 x 10/4

Connecting set VS 505	VS 505
<b>Order number</b>	<b>50074827</b>
Net weight	0.044 kg

### Included in the delivery

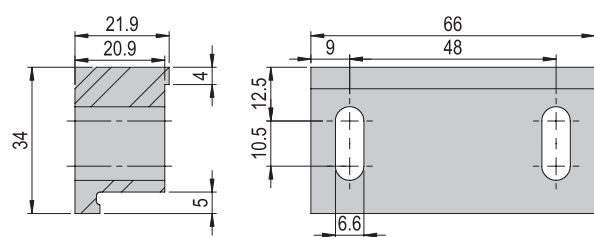
- 4x Mounting screw M4x25
- 4x Mounting screw M5x35
- 4x T-nut M4

Connecting set VS 507	VS 507
<b>Order number</b>	<b>50077087</b>
Net weight	0.01 kg

### Included in the delivery

- 2x Special screw M6 x 56/11

Connecting set VS 509	VS 509
<b>Order number</b>	<b>50254006</b>
Net weight	0.287 kg
Suitable for	PEZ-80, PEZ-100, PDZ-160

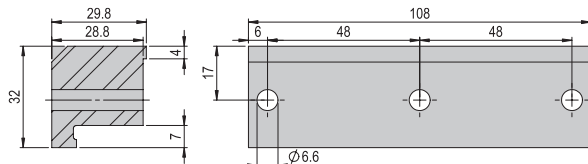


### Included in the delivery

- 2x Mounting screw M6x35
- 2x Washer M6
- 1x Clamping jaws PEZ-80/100 PDZ-160

# Connecting set VS

Connecting set VS 510	VS 510
<b>Order number</b>	<b>50254007</b>
Net weight	0.256 kg
Suitable for	PDZ-200



**Included in the delivery**

- 3x Mounting screw M6x45
- 2x Washer M6
- 1x Clamping jaws PDZ-200

Connecting set VS 511	VS 511
<b>Order number</b>	<b>50332465</b>
Net weight	0.03 kg

**Included in the delivery**

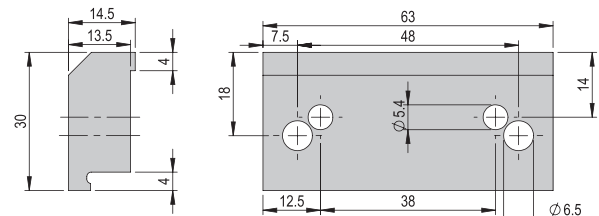
- 2x Special screw M6 x 25/9

Connecting set VS 512	VS 512
<b>Order number</b>	<b>50353058</b>
Net weight	0.01 kg

**Included in the delivery**

- 2x Special screw M4 x 16/5

Connecting set VS 513	VS 513
<b>Order number</b>	<b>50396482</b>
Net weight	0.089 kg
Suitable for	PEZ-52, PDZ-128



**Included in the delivery**

- 2x Mounting screw M5x25
- 2 Mounting screw M6x25
- 2x Washer M5
- 2x Washer M6
- 1x Clamping jaws PEZ-52 & PDZ-128

Connecting set VS 514	VS 514
<b>Order number</b>	<b>50401765</b>
Net weight	0.005 kg

**Included in the delivery**

- 2x Special screw M2.5 x 10/5

Connecting set VS 515	VS 515
<b>Order number</b>	<b>50403642</b>
Net weight	0.05 kg

**Included in the delivery**

- 2x Special screw M2.5 x 22/5-10

Note: Connection plate, angle plates, flange plates can also be manufactured by the customer itself, please have a look at our website [www.afag.com](http://www.afag.com) where you can download shop drawings free of charge.

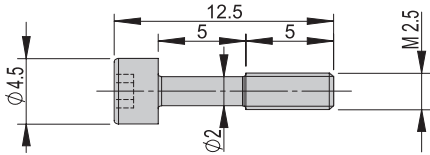


# Special screws

## Special screw M2.5x10/5

**Order number** 50389779

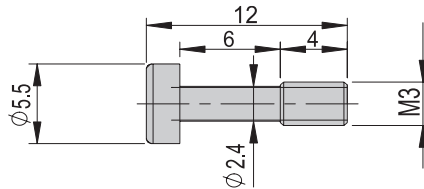
Net weight 0.001 kg



## Special screw M3x10/4

**Order number** 50040978

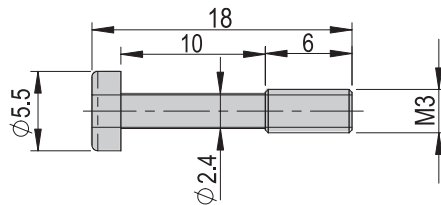
Net weight 0.001 kg



## Special screw M3x16/6

**Order number** 50035812

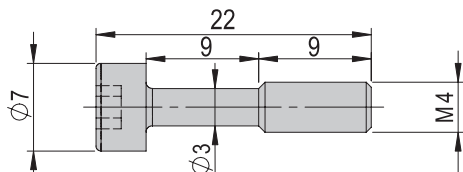
Net weight 0.001 kg



## Special screw M4x18/9

**Order number** 50001373

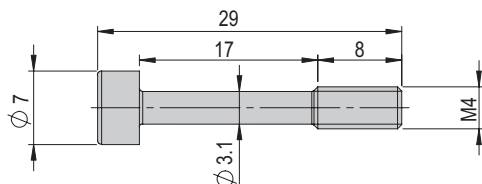
Net weight 0.002 kg



## Special screw M4x25/8

**Order number** 50060095

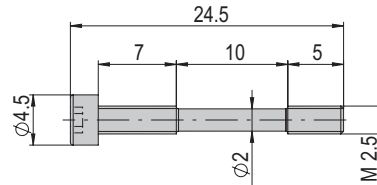
Net weight 0.002 kg



## Special screw M2.5x22/5-10

**Order number** 50403640

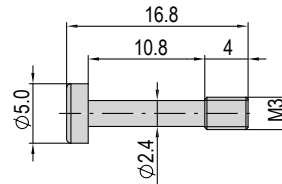
Net weight 0.001 kg



## Special screw M3x14.8/4

**Order number** 50473379

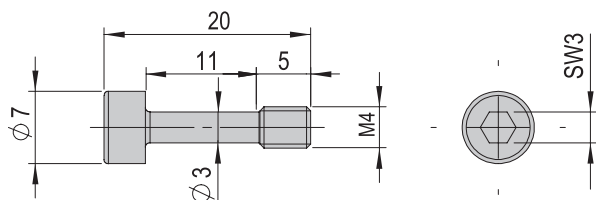
Net weight 0.001 kg



## Special screw M4x16/5

**Order number** 50353043

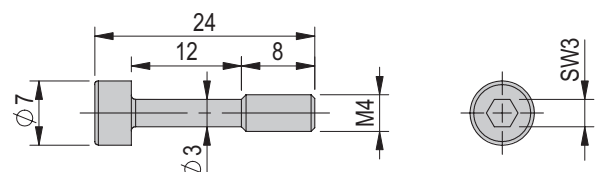
Net weight 0.002 kg



## Special screw M4x20/8

**Order number** 50101005

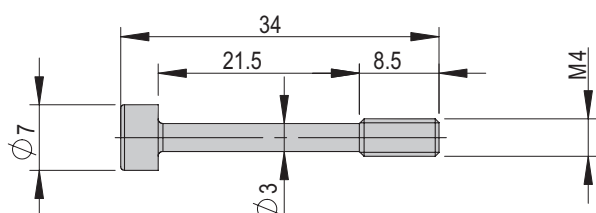
Net weight 0.002 kg



## Special screw M4x30/8.5

**Order number** 50001374

Net weight 0.003 kg

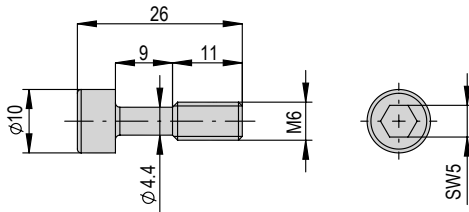


# Special screws

## Special screw M6x20/11

**Order number** 50035662

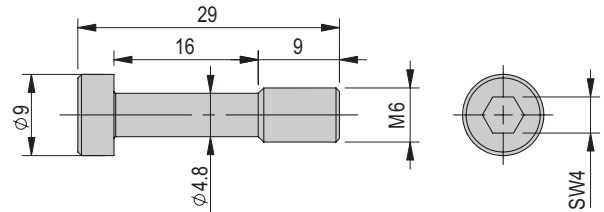
**Net weight** 0.006 kg



## Special screw M6x25/9

**Order number** 50101720

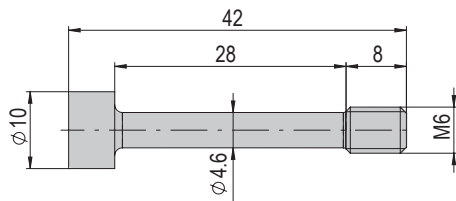
**Net weight** 0.005 kg



## Special screw M6x36/8

**Order number** 11005014

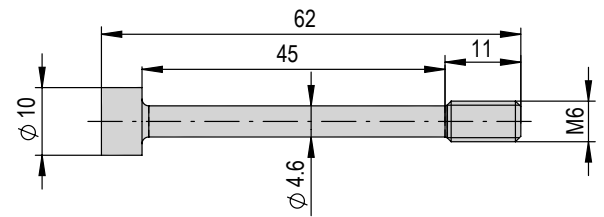
**Net weight** 0.001 kg



## Special screw M6x56/11

**Order number** 11005015

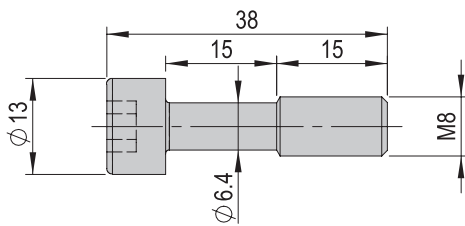
**Net weight** 0.001 kg



## Special screw M8x30/15

**Order number** 50332560

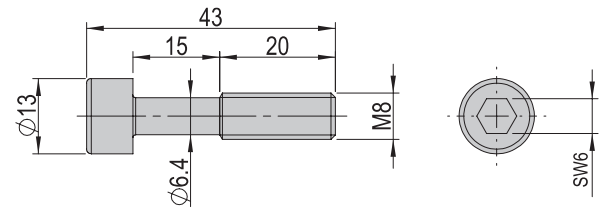
**Net weight** 0.016 kg



## Special screw M8x35/15

**Order number** 50244904

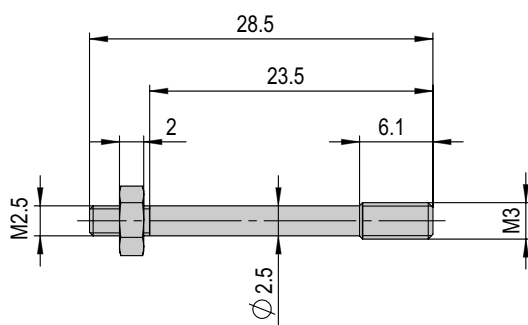
**Net weight** 0.002 kg



## Special screw M3x23 5/6

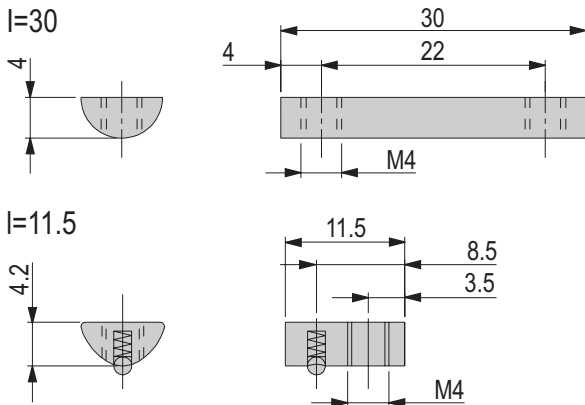
**Order number** 50561844

**Net weight** 0.002 kg

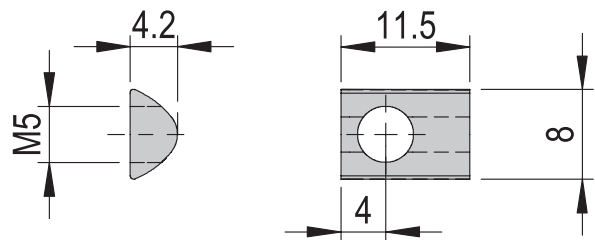


# T-nuts

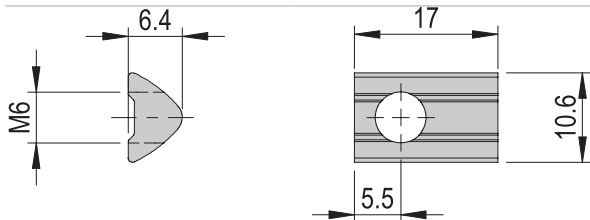
T-nuts M4	long	short
<b>Order number</b>	<b>11014646</b>	<b>11002448</b>
Net weight	0.01 kg	0.01 kg
Suitable for	PMP-c	PMP-c



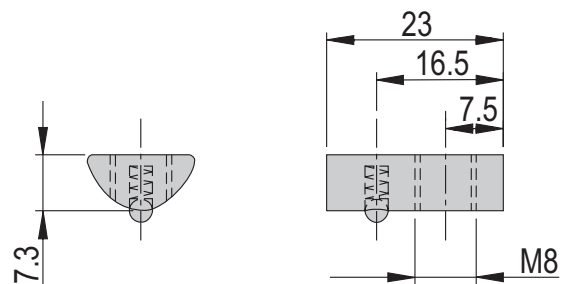
T-nut M5	
<b>Order number</b>	<b>11011070</b>
Net weight	0.001 kg
Suitable for	PEZ-52 PEZ-65, PDZ-128 side slot



T-nut M6	
<b>Order number</b>	<b>50252676</b>
Net weight	0.004 kg
Suitable for	PEZ-65 PEZ-80, PEZ-100, PDZ-160 side slot PDZ-128 bottom



T-nut M8	
<b>Order number</b>	<b>11002452</b>
Net weight	0.009 kg
Suitable for	PEZ-80, PEZ-100, PDZ-160, PMP PDZ-200 side slot



T-nut M10	
<b>Order number</b>	<b>50252678</b>
Net weight	0.035 kg
Suitable for	PDZ-200

