

**RNE 181**

## **Data sheet RNE-010-181**

Radial Riveting Unit

Rivet shank Ø: up to 6 mm | Force: up to 6.60 kN | Stroke: up to 30 mm

## Key features | Content of delivery

### RNE-010-181 Radial Riveting Unit

#### Forming process: Radial

#### Standard Version

- Nominal force 6.6 kN @ 6 bar (max. operating pressure)
- Rivet shaft up to Ø 6 mm (Steel 370 N/mm<sup>2</sup>)
- Spindle stroke 5-30 mm with 0.01 mm micrometer scale and mechanical stroke limit
- Machine weight: approx. 30 kg
- Electro-pneumatic drive - power supply @x@V, @Hz
- Permanently lubricated spindle
- Pressure cup & tool holder Rp = @ mm for forming tool length Ls = @ mm
- Color: light grey RAL 7035

#### Including

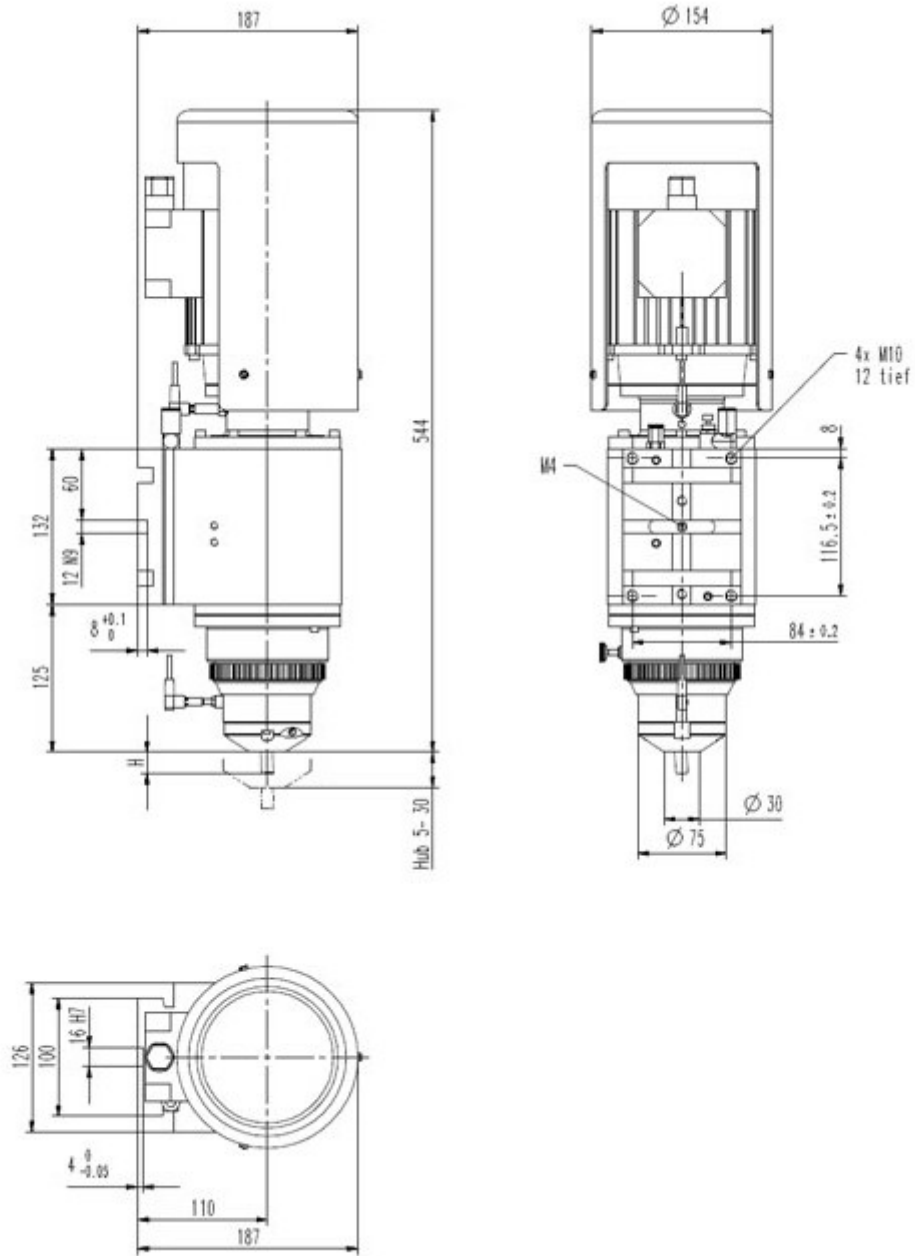
- Manual grease gun (not supplied if automatic lubrication is ordered)
- Standard accessories and user manual in the language of destination

#### Options

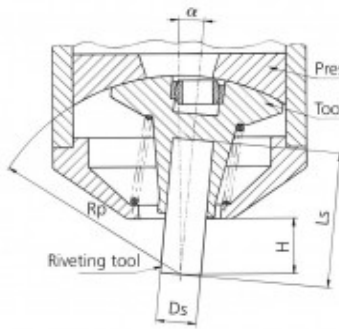
- SEI-OTH-181 Sensor upper spindle home position (TDC)
- NHE-MYC-E-01, Rivet base detection device NHE-E
- NHE-MST-xxx, RBD lever and touch sleeve (@)
- NZ-039, Automatic lubrication with reservoir grease level monitor

Subject to change.

## Drawing



## Comprimento da ferramenta em

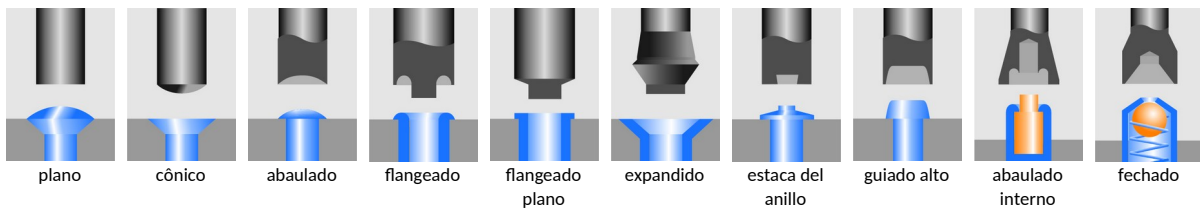


Raio mm Rp	Comprimento de ferramenta a mm Ls	Altura Livre mm H	Haste Ø mm Ds	Ângulo de deflexão α
65.00	39.00	18.00	10	6° 02'
80.00	54.00	33.00	10	4° 47'
100.00	74.00	53.00	10	3° 44'
120.00	94.00	73.00	10	3° 04'
132.00	106.00	85.00	10	2° 46'

## Perfis de ferramentas de formação



Os requisitos de concepção complexos para novas aplicações e desenhos desafiam os nossos engenheiros todos os dias. Na tecnologia de fixação, um molde específico pode fazer a diferença entre o sucesso e o fracasso. Teremos todo o prazer em aconselhá-lo a encontrar a ferramenta certa.



## Indústrias e aplicações



**BalTec AG**  
Switzerland / Germany

BalTec (UK) Ltd.  
United Kingdom

BalTec France  
France

BalTec Corporation  
USA / Canada / Mexico

BalTec do Brasil  
Brazil

BalTec Machinery (Shanghai) Ltd.  
China

BalTec Italia Srl  
Italia

# BalTec