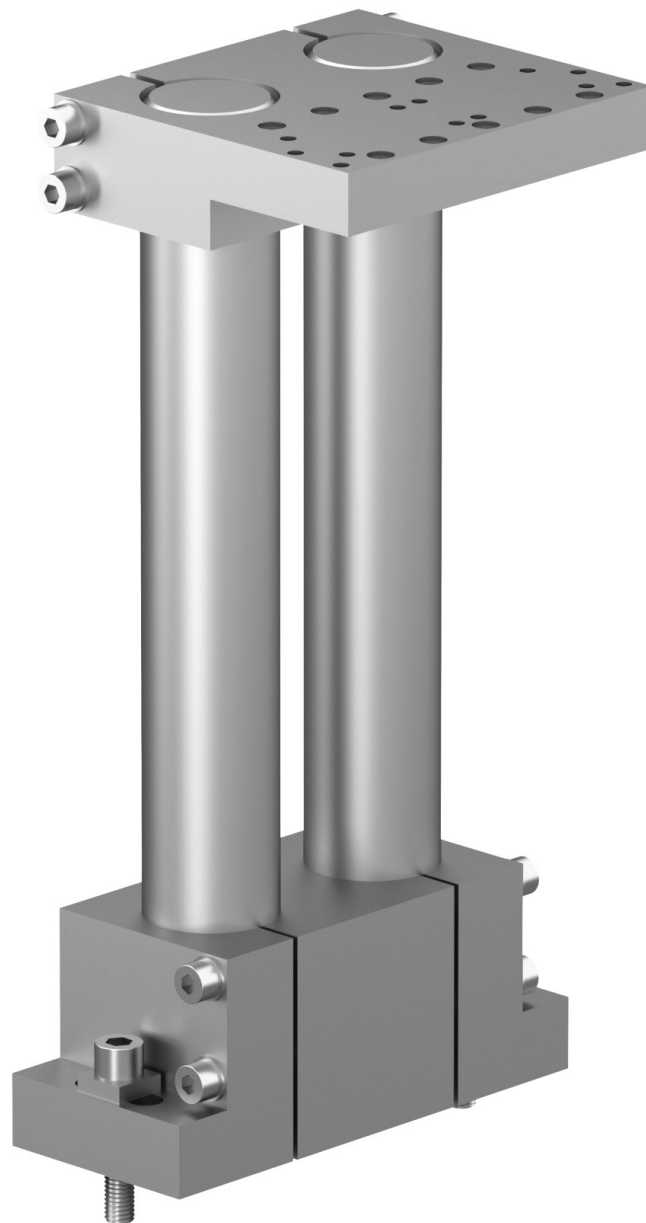


# Program for supports/columns

Ø25 mm - Ø45 mm



# Table of contents: Program for supports/columns

<b>Program for supports/columns</b>	<b>Page</b>
Program for supports/columns Ø 25 mm	37
Program for supports/columns Ø 45 mm	42

# Program for supports/columns Ø 25 mm

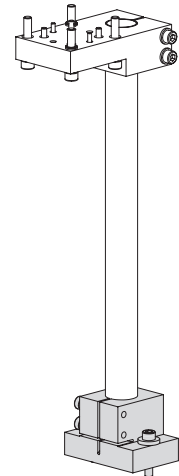
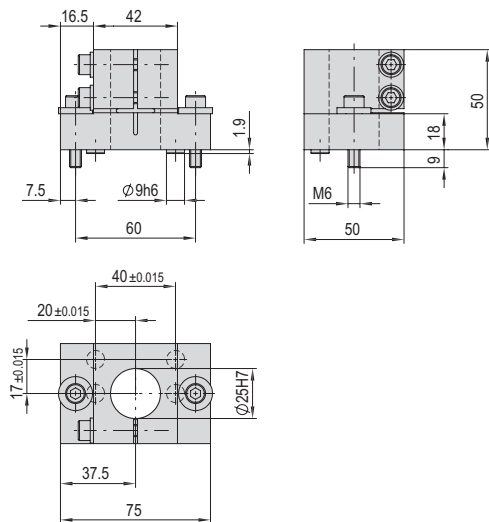
## Single column support d25

**Order number**

**11006862**

Net weight

0.33 kg



### Included in the delivery

- 2x Centering bushing Ø9x4
- 2x Mounting screw M6x35
- 2x Washer M6

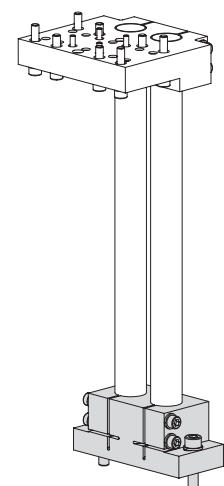
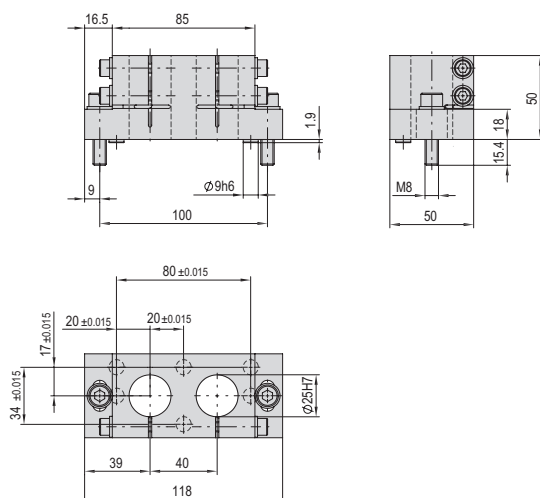
## Double column support d25

**Order number**

**11013417**

Net weight

0.5 kg



### Included in the delivery

- 2x Centering bushing Ø9x4
- 2x Mounting screw M8 x 35
- 2x Washer M8

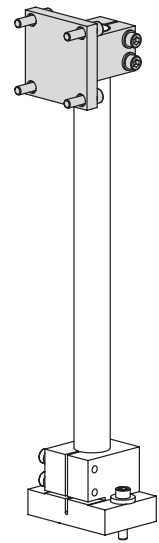
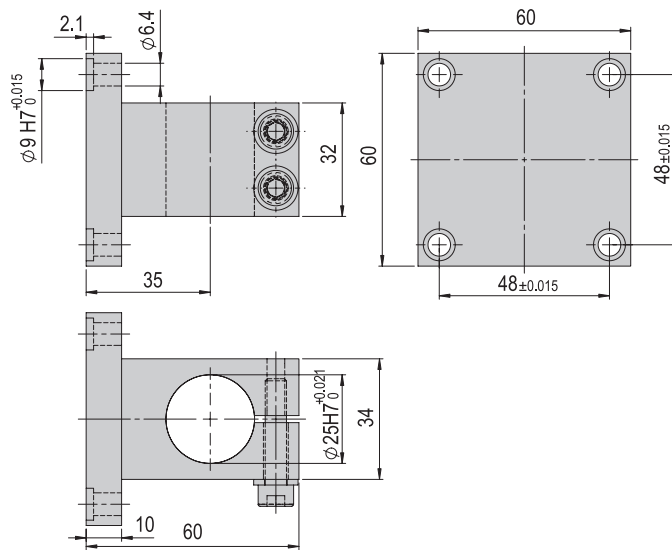
## MH 25x1 Module support

**Order number**

**11013415**

Net weight

0.25 kg



2

### Included in the delivery

- 4x Mounting screw M6x25
- 4x Ribbed washer M6

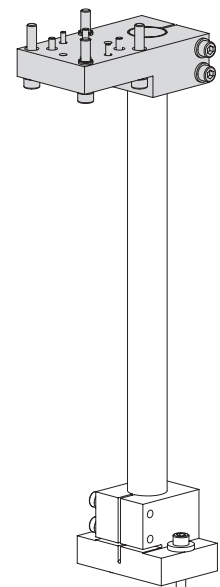
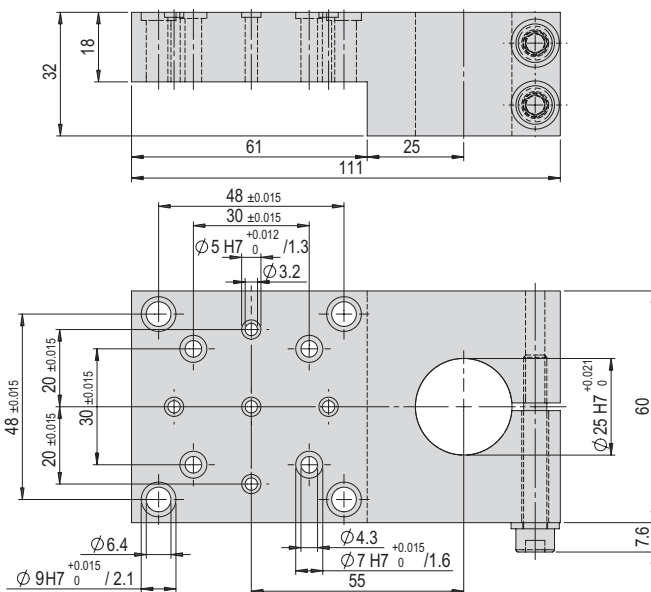
## MT 25x1 Single module support

**Order number**

**11013412**

Net weight

0.45 kg



### Included in the delivery

- 2x Mounting screw M3x25
- 4x Mounting screw M4x25
- 4x Mounting screw M6x35
- 4x Ribbed washer M6



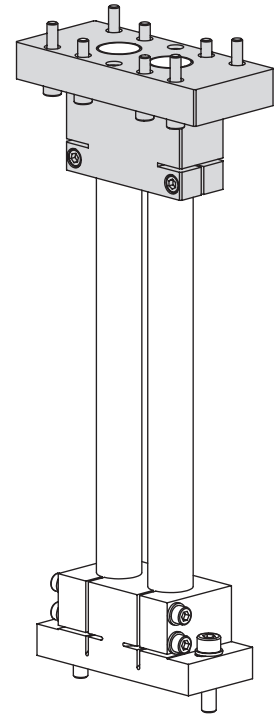
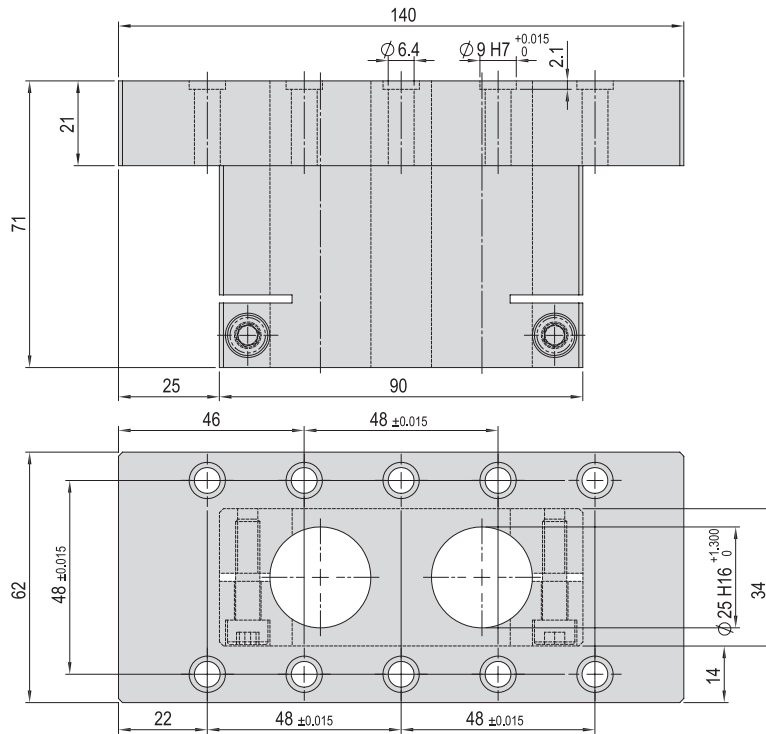
MTZ 25x2 Double module support centric

Order number

11013955

Net weight

0.8 kg



2

Included in the delivery

- 4x Mounting screw M6x30
- 4x Mounting screw M6x35
- 4x Ribbed washer M6

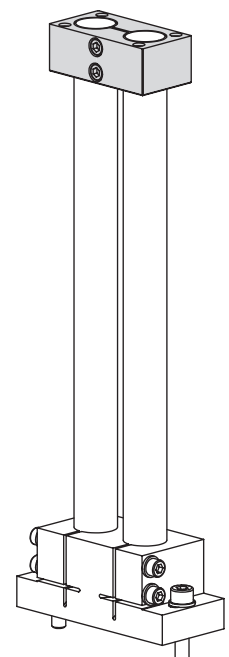
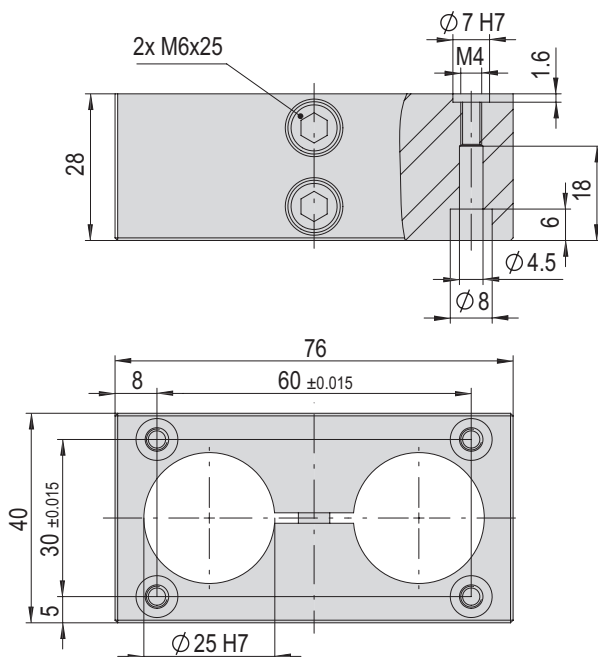
MTZ 25x2b Double module support centric

Order number

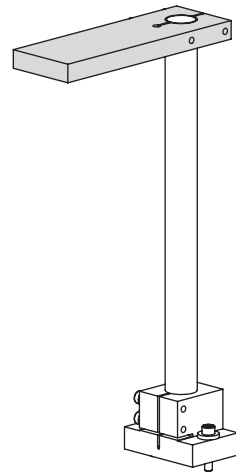
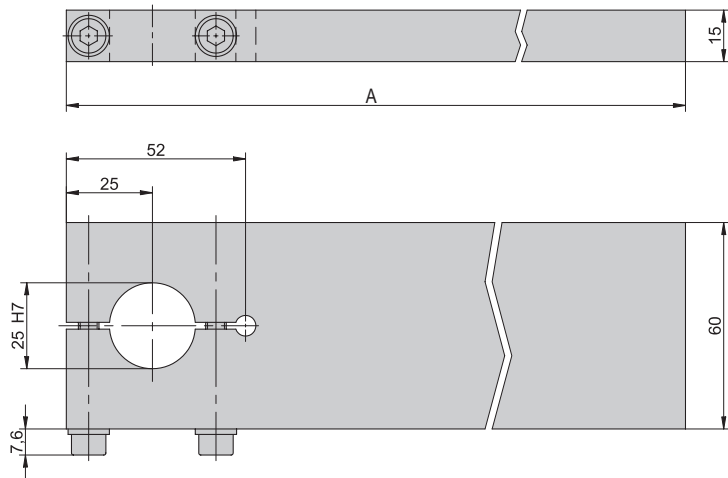
50432835

Net weight

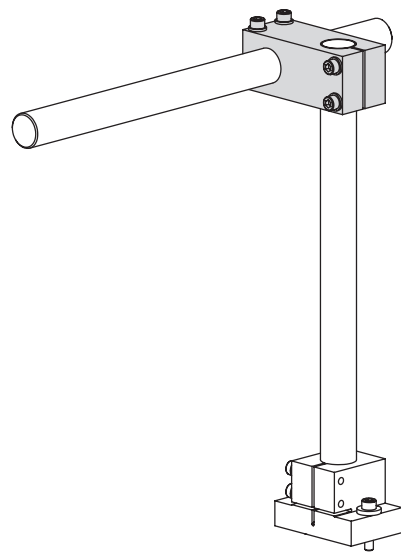
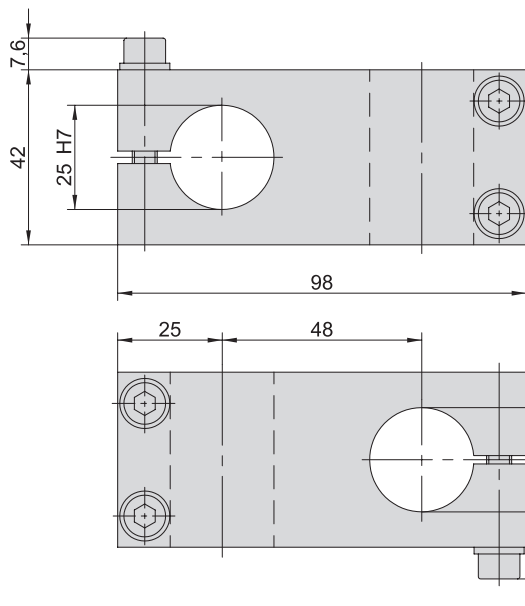
0.156 kg



Support plate d25	180	280
<b>Order number</b>	<b>11013414</b>	<b>11013413</b>
Net weight	0.433 kg	0.675 kg
A	180 mm	280 mm

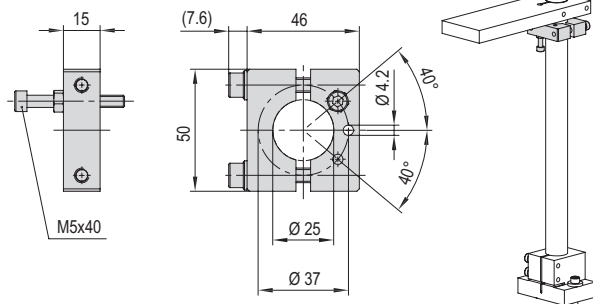
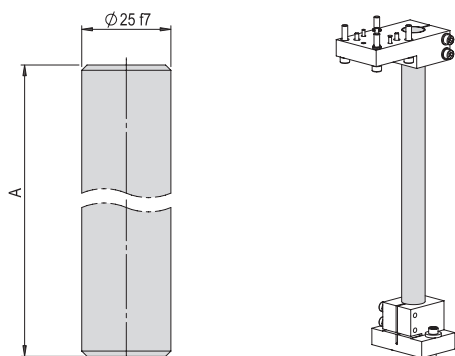


Cross support d25	11013416
Net weight	0.38 kg



Pillar d25	Weight/100 mm	350 mm
<b>Order number</b>	<b>11017840</b>	<b>11013429</b>
Net weight	0.38 kg/100 mm	1.35 kg
A	100-999 mm	350 mm

Elevating adjustment d25	50317963
Net weight	0.134 kg



# Program for supports/columns Ø 45 mm

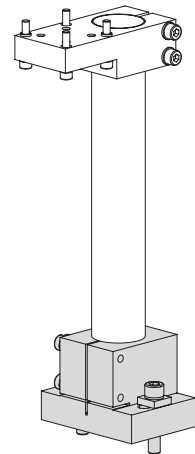
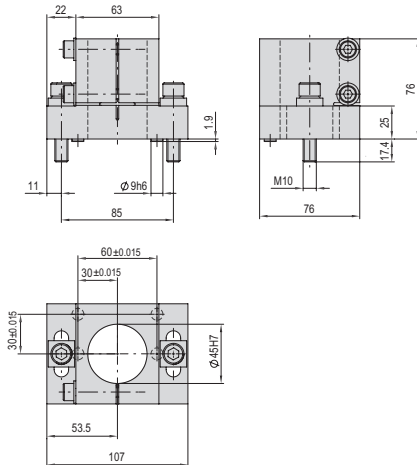
## Single column support d45

**Order number**

**11004998**

**Net weight**

0.942 kg



### Included in the delivery

- 2x Centering bushing Ø9x4
- 2x Mounting screw M10x50
- 2x Ribbed washer M10
- 2x Washer, square

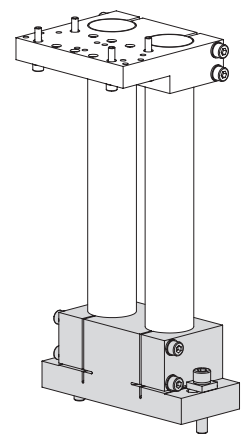
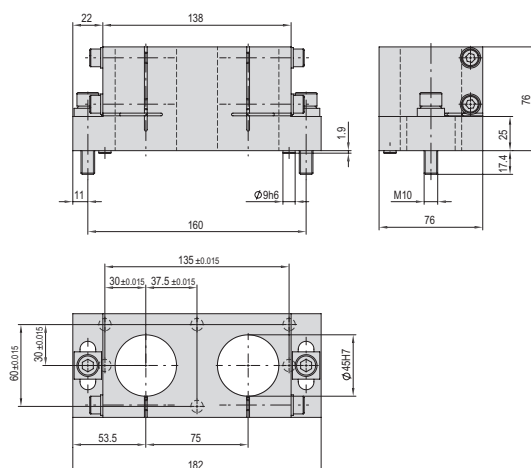
## Double column support d45

**Order number**

**11005008**

**Net weight**

1.78 kg



### Included in the delivery

- 2x Centering bushing Ø9x4
- 2x Mounting screw M10x50
- 2x Ribbed washer M10
- 2x Washer, square



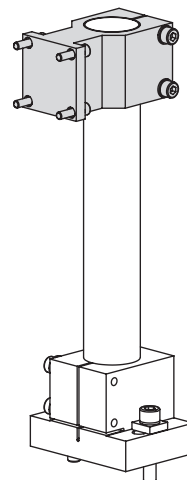
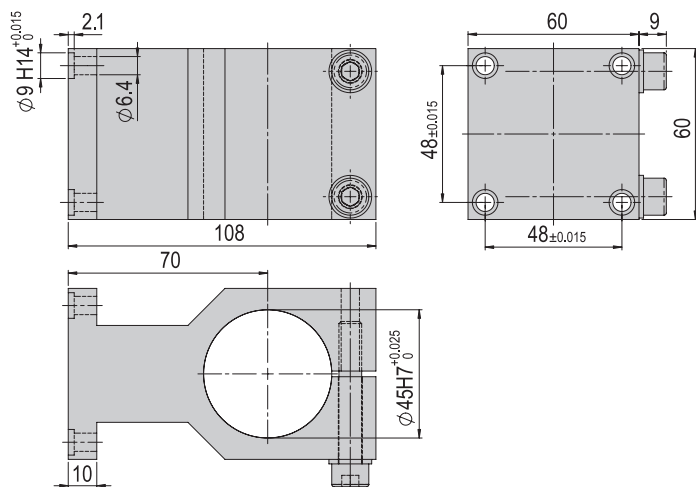
## MH 45x1 Module support

Order number

11005002

Net weight

0.707 kg



### Included in the delivery

- 4x Mounting screw M6x20
- 4x Mounting screw M6x25
- 4x Ribbed washer M6

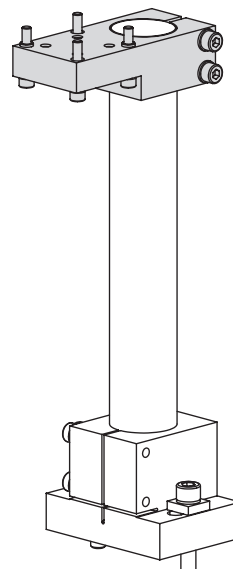
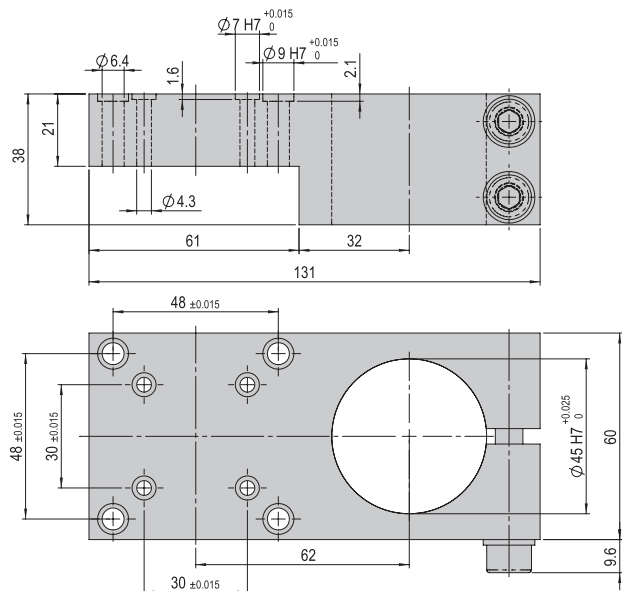
## MT 45x1 Single module support

Order number

11004999

Net weight

0.6 kg



### Included in the delivery

- 4x Mounting screw M4x30
- 4x Mounting screw M6x30
- 4x Mounting screw M6x35
- 4x Ribbed washer M4
- 4x Ribbed washer M6

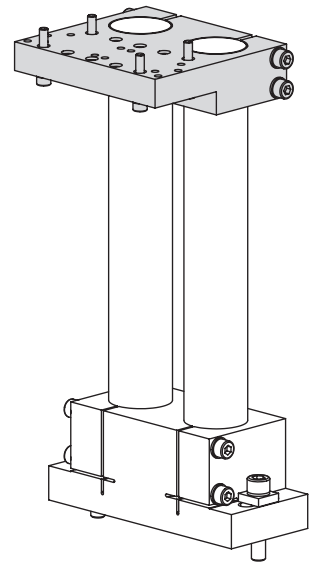
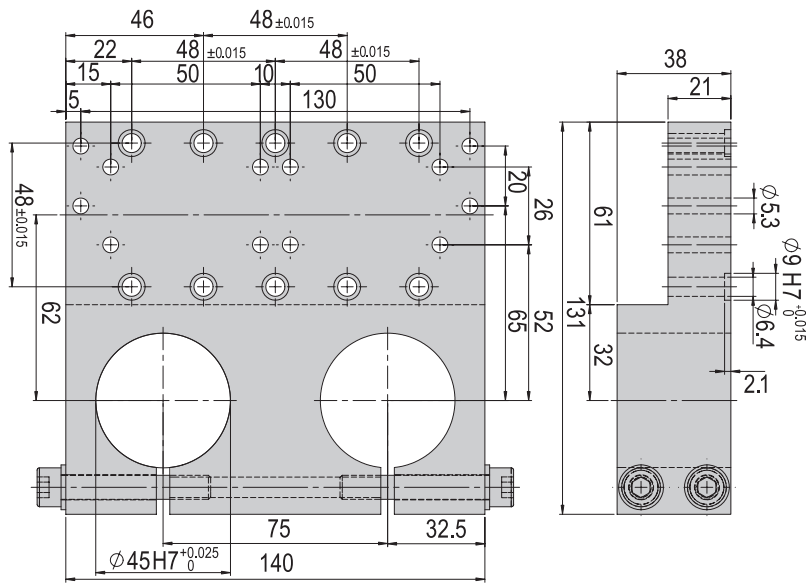
MT 45x2a Double module support L=62

Order number

11005009

Net weight

0.484 kg



2

Included in the delivery

- 4x Mounting screw M6x35
- 4x Ribbed washer M6

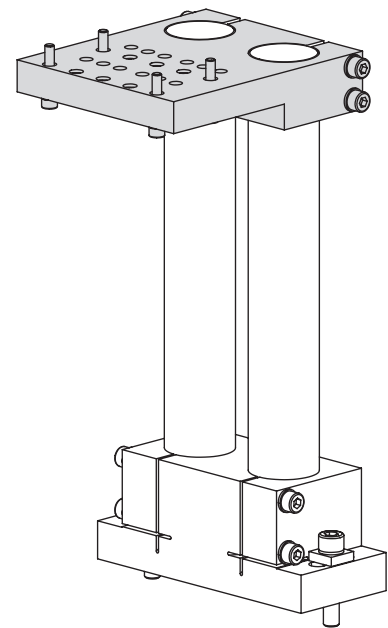
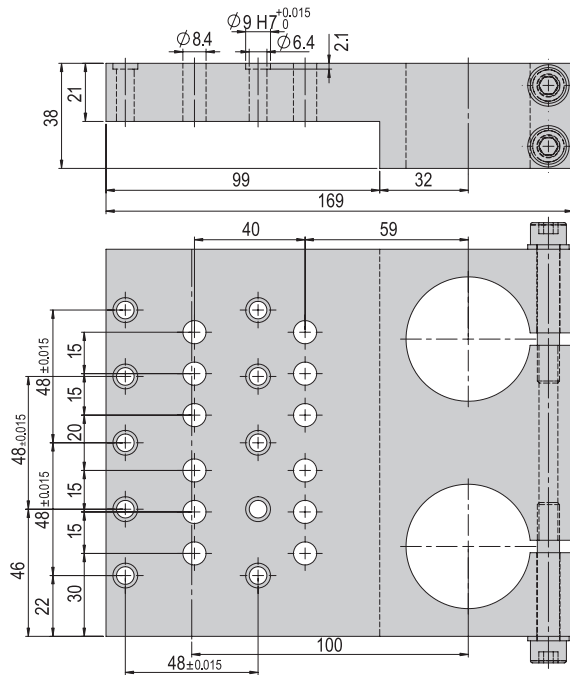
MT 45x2b Double module support L=100

Order number

11005010

Net weight

1.559 kg



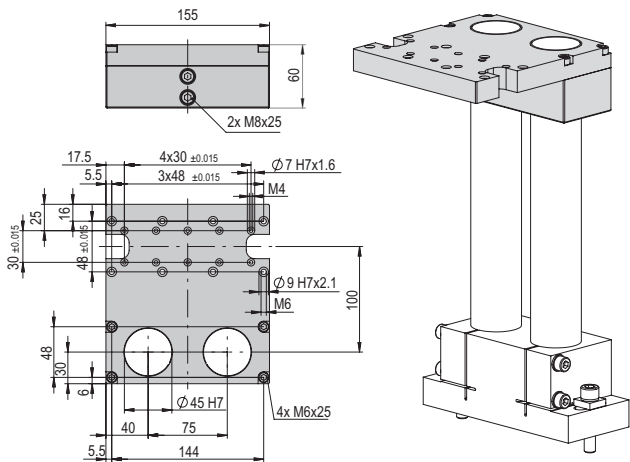
Included in the delivery

- 4x Mounting screw M6x35
- 4x Ribbed washer M6

**MT 45x2c Double module support L=100**

**Order number** 50433135

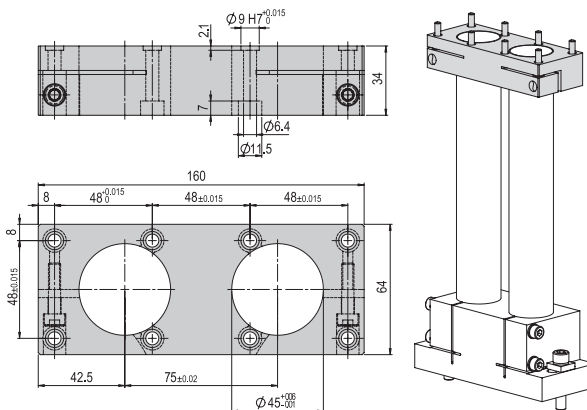
**Net weight** 1.909 kg



**MTZ 45x2 Double module support centric**

**Order number** 11017420

**Net weight** 0.58 kg



**Included in the delivery**

- 4x Mounting screw M6x25
- 4x Mounting screw M6x35
- 4x Mounting screw M6x40

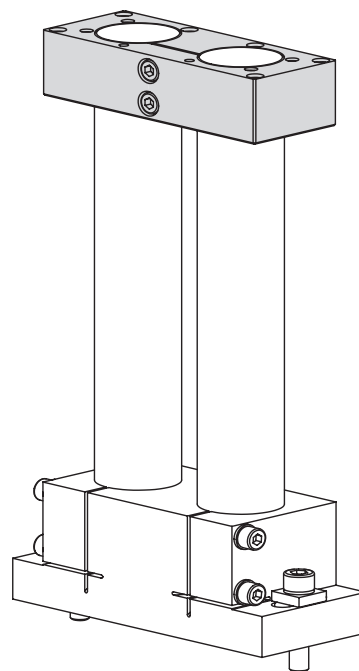
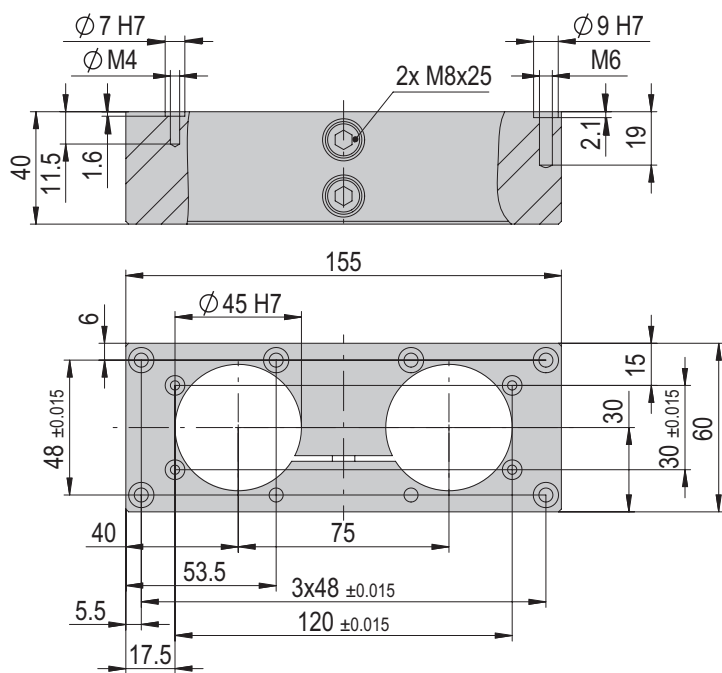
**MTZ 45x2b Double module support centric**

**Order number**

**50432836**

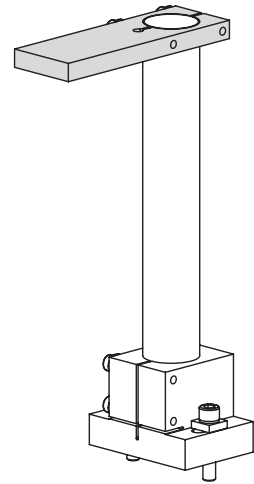
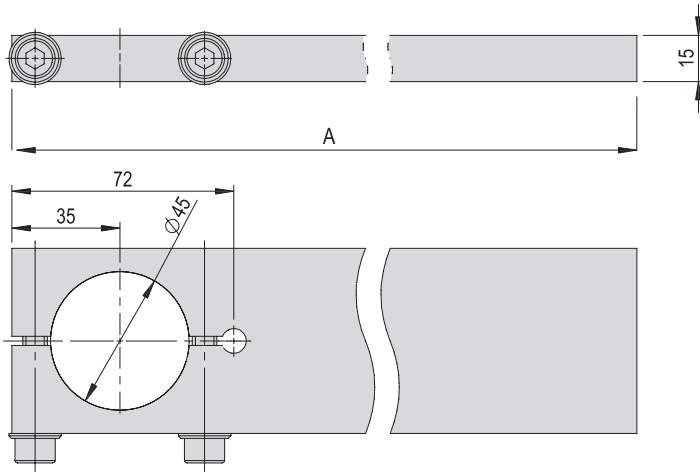
**Net weight**

**0.659 kg**

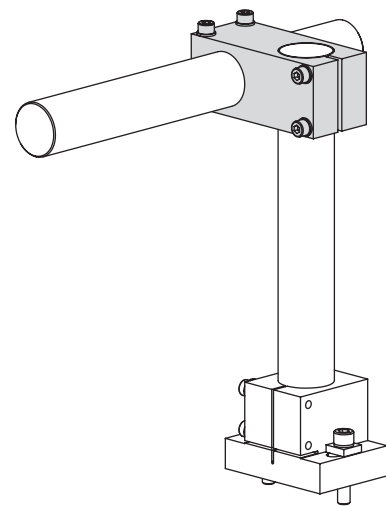
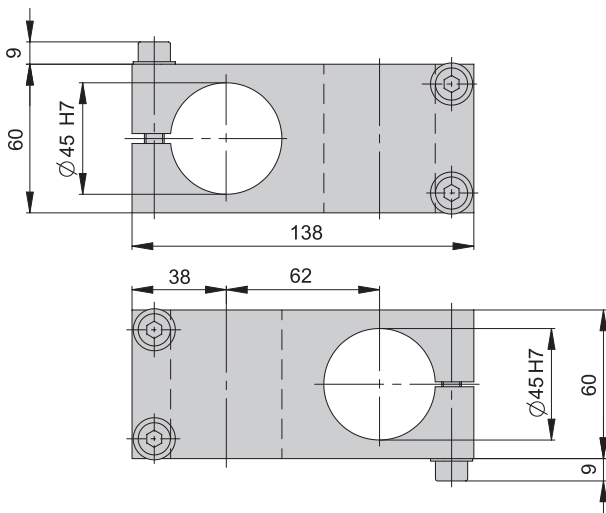




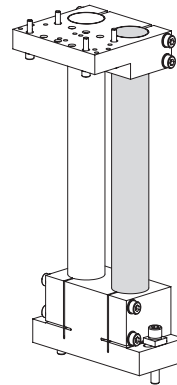
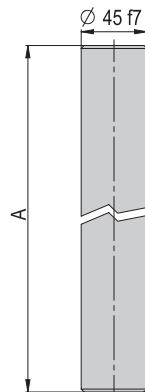
Support plate d45	180 mm	280 mm
<b>Order number</b>	<b>11005001</b>	<b>11005000</b>
Net weight	0.412 kg	0.655 kg
A	180 mm	280 mm



Cross support d45		
<b>Order number</b>		<b>11005003</b>
Net weight		0.821 kg

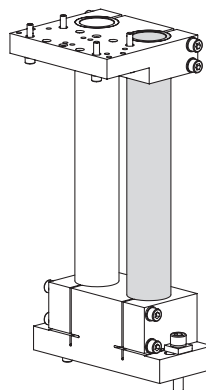
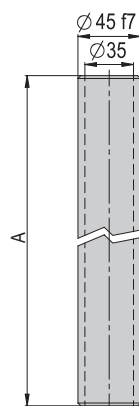


Pillar d45	Weight/100 mm	350 mm	550 mm	1000 mm
<b>Order number</b>	<b>11005005</b>	<b>11005004</b>	<b>11005006</b>	<b>11009036</b>
Net weight	1.20 kg/100 mm	4.2 kg	6.9 kg	12.245 kg
A	100-999 mm	350 mm	550 mm	1000 mm



2

Hollow pillar d45/35	Weight/100 mm	35x1000 mm
<b>Order number</b>	<b>11005007</b>	<b>11009037</b>
Net weight	0.48 kg/100 mm	4.836 kg
A	100-999 mm	1000 mm



Elevating adjustment d45	Order number	50317945
Net weight		0.175 kg

