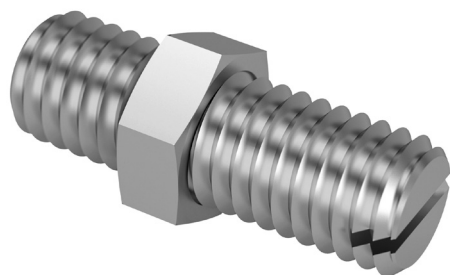
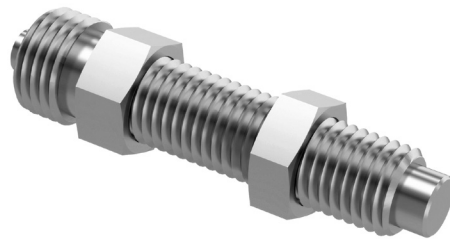


# Adjusting stops



## Table of contents: Adjusting stops

<b>Adjusting stops</b>	<b>Page</b>
Stop sleeves ASH	64
Stop screw AS	65
Steel stop ASS	66
Adjusting stop pin	67

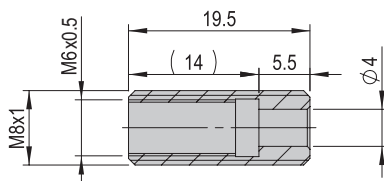
	50286115	50098367	50287664	50100898	50287968	50224961	50138506	11011202	50138579	50138592	11004991	11004992	11004993	11004994	11017149	50465413	50465467	50036780	50045855	50046516	11009229	11009230	
	ASH M8x1-1	ASH M10x1-1	ASH M10x1-2	ASH M12x1-1	ASH M16x1-1	ASH M18x1-1	AS 08/14	AS 08/15	AS 08/16	AS 08/18	AS 08/25	AS 08/40	AS 08/80	AS 12/60	ASC 08/30	ASS-03/25	ASS-04/25	ASS 05/12	ASS 05/22	ASS 05/37	M8x1/25	M8x1/40	
CS 8																							
CS 12																							
CS 16																							
CS 20																							
CS 25																							
PS 16																							
PS 25																							
PS 32																							
LM 12																							
LM 16																							
LM 20																							
LM 25																							
LM 32																							
HM 10																							
HM 16																							
HM 25																							
PMP																							
PMP-c																							
CR 12																							
CR 16																							
CR 20																							
CR 25																							
CR 32																							
RM 12																							
RMZ 12																							
RM 16																							
RM 25																							
RM 32																							
RM 63																							
GMQ 12																							
GMQ 20																							
GMQ 32																							

ASH: Stop sleeve  
 ASC, AS: Stop screw  
 ASS: Steel stop

# Stop sleeves

## Stop sleeve ASH M8x1 -1

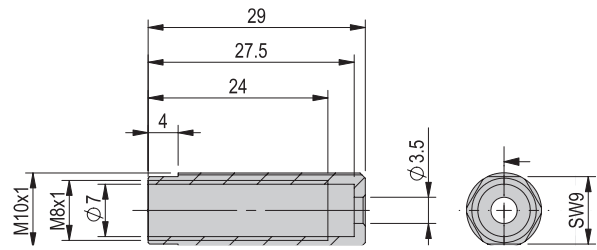
<b>Order number</b>	<b>50286115</b>
Net weight	0.004 kg
Suitable for	HM 10



Note: The ASH stop sleeves may only be operated with the shock absorbers!

## Stop sleeve ASH M10x1 -1

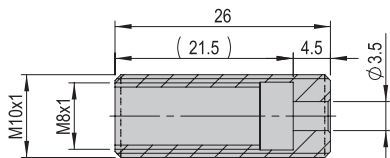
<b>Order number</b>	<b>50098367</b>
Net weight	0.009 kg
Suitable for	CS 16



Note: The ASH stop sleeves may only be operated with the shock absorbers!

## Stop sleeve ASH M10x1 -2

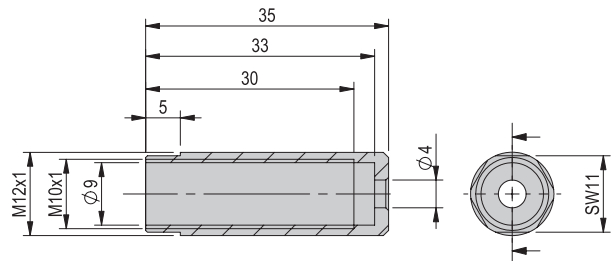
<b>Order number</b>	<b>50287664</b>
Net weight	0.008 kg
Suitable for	HM 16



Note: The ASH stop sleeves may only be operated with the shock absorbers!

## Stop sleeve ASH M12x1 -1

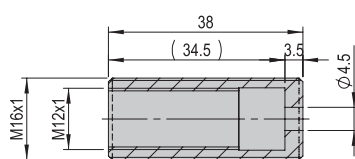
<b>Order number</b>	<b>50100898</b>
Net weight	0.014 kg
Suitable for	CS 20



Note: The ASH stop sleeves may only be operated with the shock absorbers!

## Stop sleeve ASH M16x1 -1

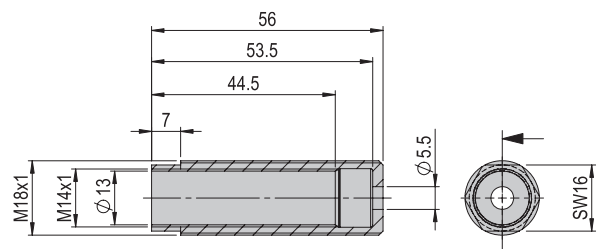
<b>Order number</b>	<b>50287968</b>
Net weight	0.031 kg
Suitable for	HM 25



Note: The ASH stop sleeves may only be operated with the shock absorbers!

## Stop sleeve ASH M18x1 -1

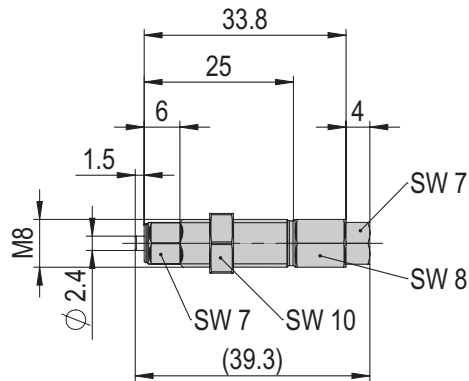
<b>Order number</b>	<b>50224961</b>
Net weight	0.017 kg
Suitable for	CS 25



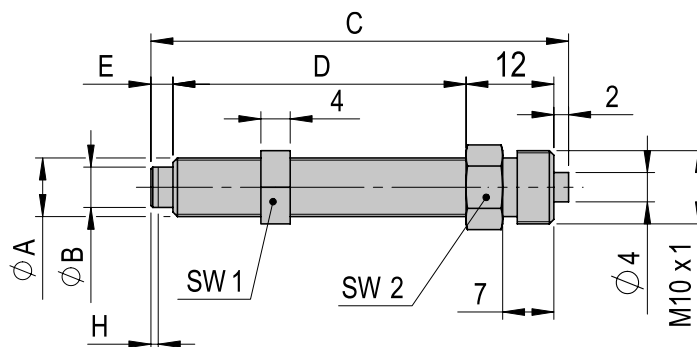
Note: The ASH stop sleeves may only be operated with the shock absorbers!

# Stop screw

Stop screw ASC		ASC 08/25
<b>Order number</b>	<b>50421608</b>	
Net weight	0.01 kg	
Suitable for	RMZ 12	

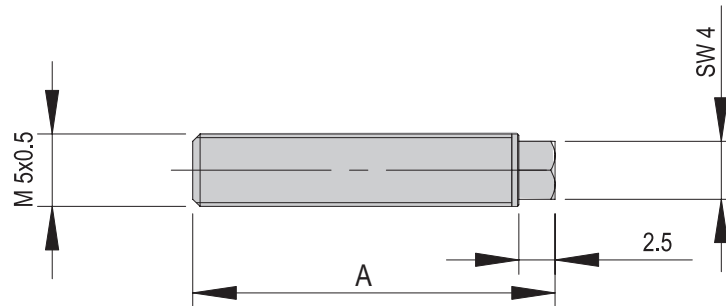


Stop screw AS	AS 08/15	AS 08/25	AS 08/40	AS 08/80	AS 12/60
<b>Order number</b>	<b>11011202</b>	<b>11004991</b>	<b>11004992</b>	<b>11004993</b>	<b>11004994</b>
Net weight	0.03 kg	0.02 kg	0.02 kg	0.04 kg	0.1 kg
Repeat accuracy	+/- 0.01 mm	+/- 0.01 mm	+/- 0.01 mm	+/- 0.01 mm	+/- 0.01 mm
Suitable for	GMQ 12, GMQ 20, GMQ 32	RM 12 LM 12, LM 16, LM 20	RM 16, RM 25 LM 12, LM 16, LM 20, LM 25 PMP-c	LM 12, LM 16, LM 20	RM 32, RM 63 LM 32
A	M8 x 1 mm	M8 x 1 mm	M8 x 1 mm	M8 x 1 mm	M12 x 1 mm
B	5.5 mm	5.5 mm	5.5 mm	5.5 mm	8 mm
C	32 mm	42 mm	57 mm	97 mm	78 mm
D	15 mm	25 mm	40 mm	80 mm	60 mm
E	3 mm	3 mm	3 mm	3 mm	4 mm
H	1 mm	1 mm	1 mm	1 mm	1 mm
SW 1	10 mm	10 mm	10 mm	10 mm	12 mm
SW 2	10 mm	10 mm	10 mm	10 mm	14 mm

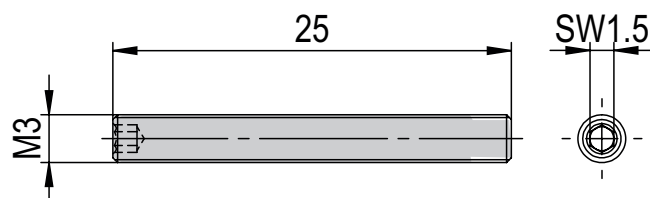


# Steel stop

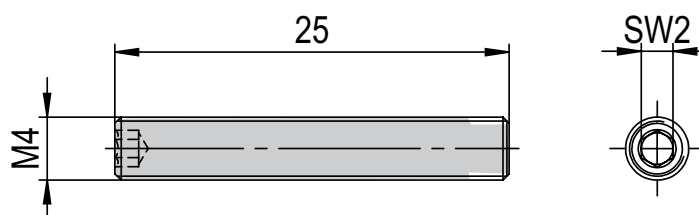
Steel stop	ASS 05/12	ASS 05/22	ASS 05/37
<b>Order number</b>	<b>50036780</b>	<b>50045855</b>	<b>50046516</b>
Net weight	0.002 kg	0.003 kg	0.005 kg
Suitable for	CS 8	CS 8	CS 8
A	16 mm	25 mm	40 mm



Steel stop	ASS 03/25
<b>Order number</b>	<b>50465413</b>
Net weight	0.001 kg
Suitable for	CS 8



Steel stop	ASS 04/25
<b>Order number</b>	<b>50465467</b>
Net weight	0.002 kg
Suitable for	CS 12



# Adjusting stop pin

## Adjusting stop pin M8x1/25

**Order number**

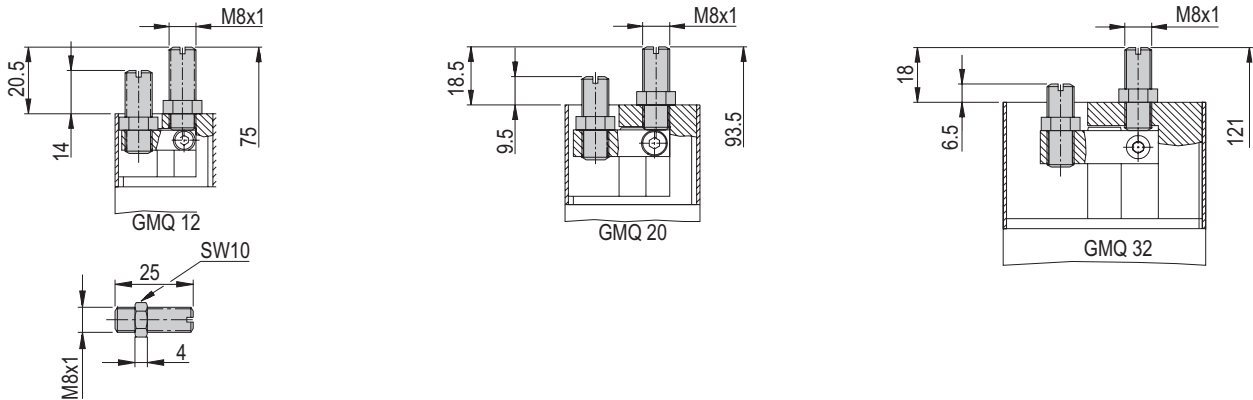
**11009229**

Net weight

0.01 kg

Suitable for

LM 12  
GMQ 12, GMQ 20, GMQ 32



## Adjusting stop pin M8x1/40

**Order number**

**11009230**

Net weight

0.016 kg

Suitable for

LM 12

