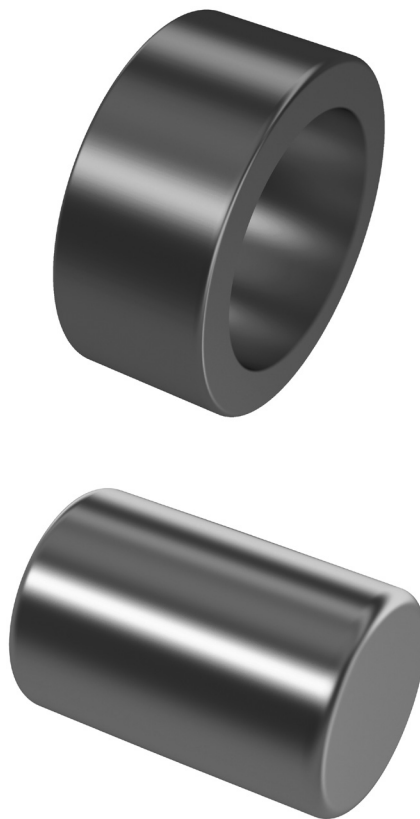


# Module centering

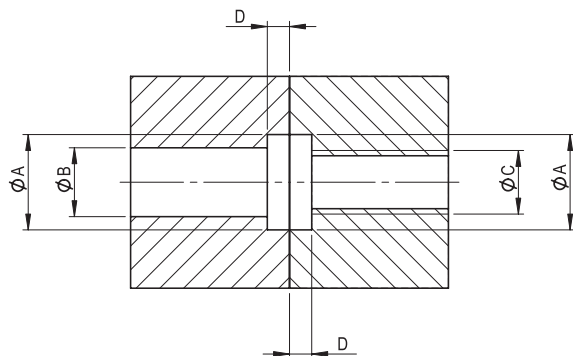


# Table of contents: Module centering

Module centering	Page
Centering bushings, centering pins, dowel pins, accessories intermediate stops, various	52

# Module centering

Bores							
Ø A*	19H7	12H7	9H7	8H7	7H7	5H7	4H7
Ø B	13	8.5	6.5	5.4	4.3	3.2	2.6
Ø C	M12	M8	M6	M5	M4	M3	M2.5
D	3.0 (+0.1/0)	2.5 (+0.1/0)	2.1 (+0.1/0)	1.8 (+0.1/0)	1.6 (+0.1/0)	1.3 (+0.1/0)	1.1 (+0.1/0)

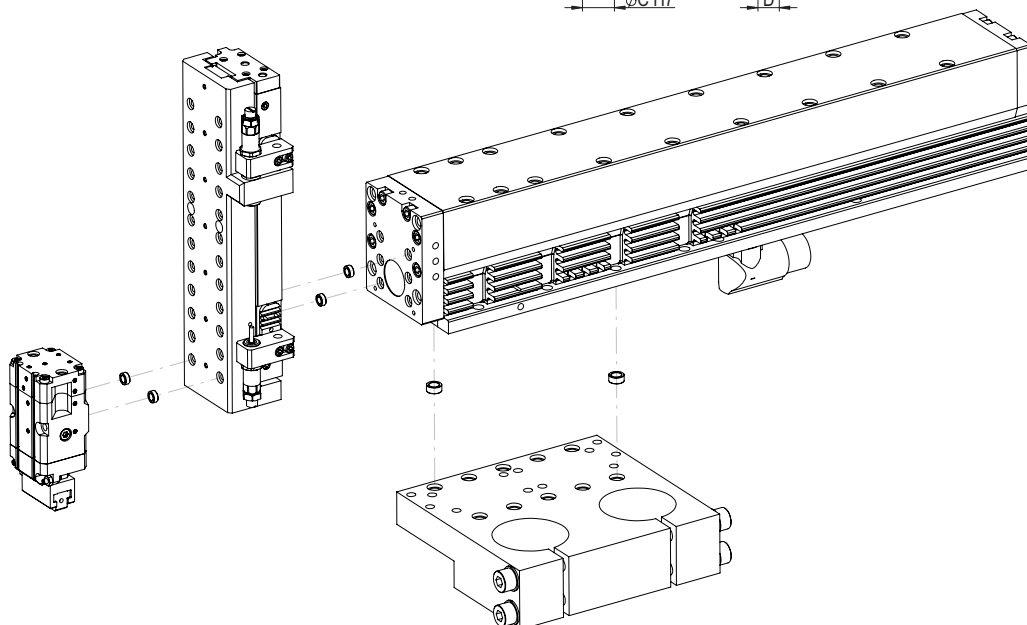
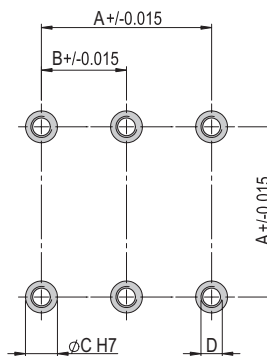


\*for several old modules, the bores are still K7 tolerated.

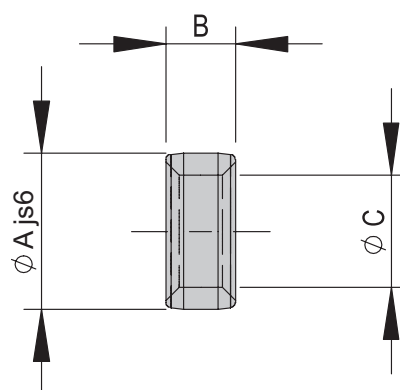
Attachment grid	16x16 mm	20x20 mm	30x30 mm	38x38 mm	48x48 mm	60x60 mm	75x75 mm	96x96 mm
A	16 mm	20 mm	30 mm	38 mm	48 mm	60 mm	75 mm	96 mm
B	8 mm	10 mm	15 mm	19 mm	24 mm	30 mm	37.5 mm	48 mm
C	4x1.1 mm	5x1.3 mm	7x1.6 mm	8x1.8 mm	9x2.1 mm	12x2.5 mm	15x2.7 mm	19x3 mm
D	M2.5	M3	M4	M5	M6	M8	M10	M12

## Module-centering, centering bushings

In order to guarantee a high and repetitive fit accuracy during installation, operation or replacement of a module, all components of the entire program are consequently provided with a precise module centering. Centering bushings or pins are supplied as standard with each module.



Centering bushings	Ø4x2	Ø5x2.5	Ø7x3	Ø8x3.5	Ø9x4	Ø12x4.8	Ø19x5.8
<b>Order number</b>	<b>50332257</b>	<b>50035831</b>	<b>11016850</b>	<b>50263565</b>	<b>11004942</b>	<b>50187424</b>	<b>50189497</b>
Net weight	0.001 kg	0.001 kg	0.001 kg	0.001 kg	0.001 kg	0.002 kg	0.006 kg
A	4 mm	5 mm	7 mm	8 mm	9 mm	12 mm	19 mm
B	2 mm	2.5 mm	3 mm	3.5 mm	4 mm	4.8 mm	5.8 mm
C	2.6 mm	3.2 mm	4.3 mm	5.4 mm	6.5 mm	8.5 mm	13 mm



Centering pin	Ø4x6	Cylindrical pin 2h6x28
<b>Order number</b>	<b>11005017</b>	<b>11004755</b>
Net weight	0.001 kg	0.001 kg

Keys	Key 4x4x10	Key 5x5x10	Key 8x7x25	Key 8x7x32
<b>Order number</b>	<b>11002404</b>	<b>11002405</b>	<b>11002406</b>	<b>11002407</b>
Net weight	0.001 kg	0.001 kg	0.011 kg	0.014 kg

Accessories intermediate stops	Centering bushing ZA-PS 16	Centering bushing ZA-PS 25	Centering bushing ZA-PS 32	Nut M10x1 for ZA 32	Stop screw ZA20/25	Stop carrier ZA20/25
<b>Order number</b>	<b>50235575</b>	<b>50235901</b>	<b>50235989</b>	<b>11009300</b>	<b>11016912</b>	<b>11011027</b>
Net weight	0.001 kg	0.003 kg	0.003 kg	0.002 kg	0.014 kg	0.019 kg

Various	Stop carrier	Contact plate	Nut M5
<b>Order number</b>	<b>11001612</b>	<b>11001614</b>	<b>11000673</b>
Net weight	0.088 kg	0.105 kg	0.001 kg