

ENE 35

## Data sheet ENE-35-015

Orbital Riveting Unit

Rivet shank Ø: up to 0 mm | Force: up to 35.00 kN | Stroke: up to 50 mm

## Key features | Content of delivery

### ENE-35-015 Orbital Riveting Unit

#### Forming process: Orbital

#### Standard Version

- Nominal force 35 kN @ 6 bar (max. operating pressure)
- Rivet shaft up to Ø 18 mm (Steel 370 N/mm<sup>2</sup>)
- Spindle stroke 5 - 50 mm with 0.01mm micrometer scale and mechanical stroke limit
- Machine weight: approx. 120 kg
- Electro-pneumatic drive - power supply @x@V, @Hz
- Permanently lubricated spindle
- head angle 5° for tool length L<sub>s</sub>= 84 mm, free height 28 mm
- or
- head angle 3° for tool length L<sub>s</sub>= 116 mm, free height 60 mm (specify when ordering)
- Color: light grey RAL 7035

#### Including

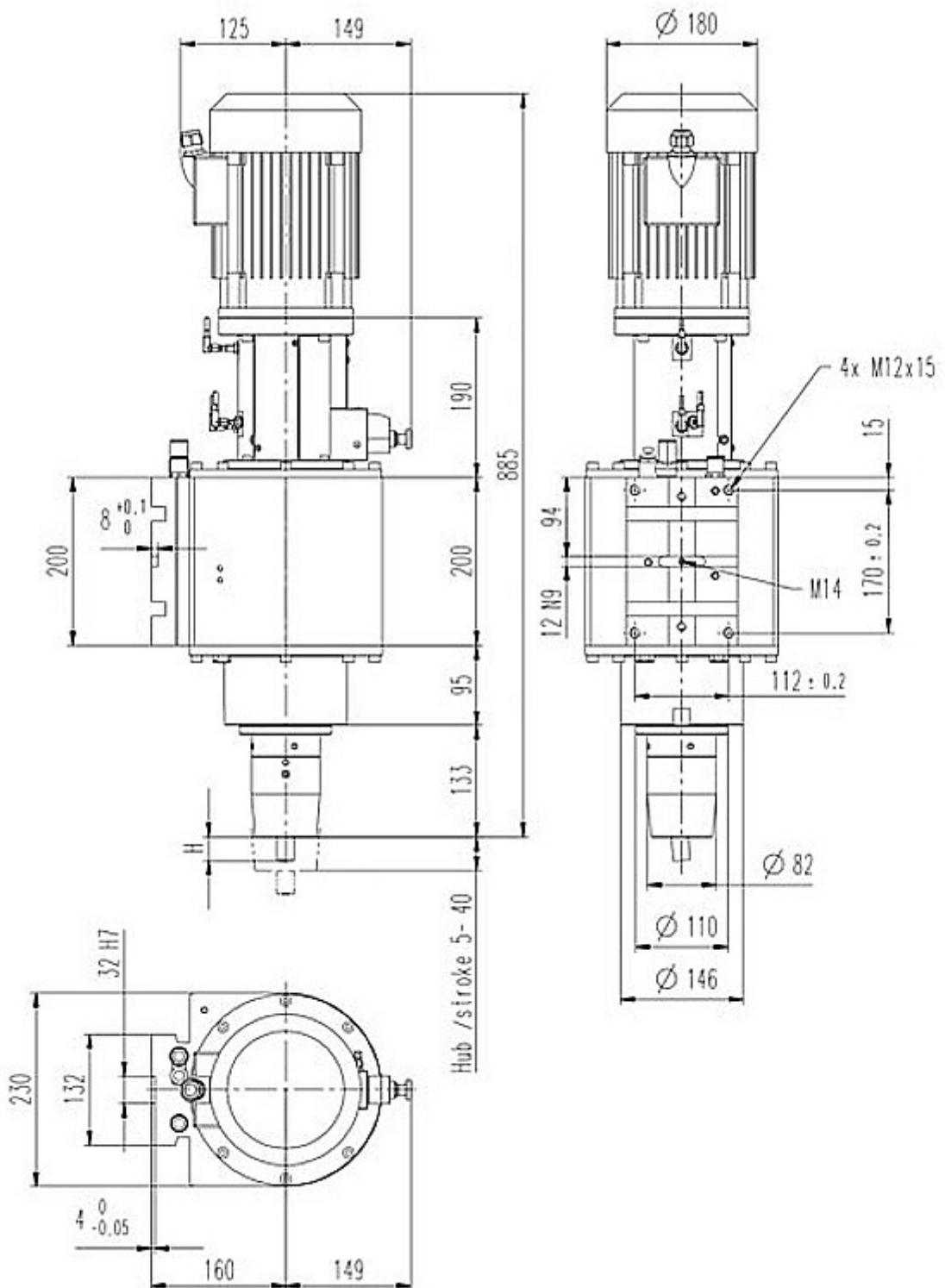
- Standard accessories and user manual in the language of destination

#### Options

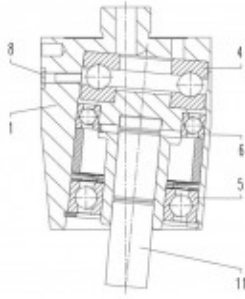
- FN-042 Sensor upper spindle home position (TDC)
- FN-043 Sensor lower spindle position (BDC)

Subject to change.

## Drawing



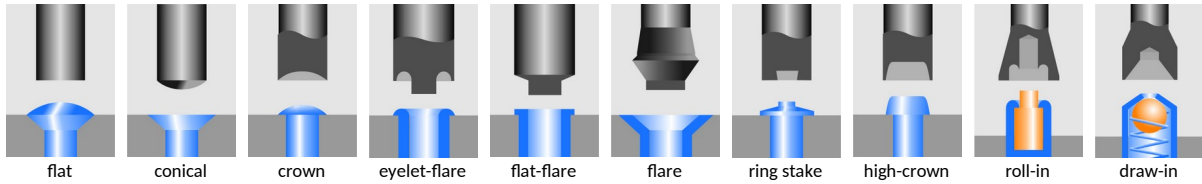
## Forming tool lengths



Radius mm Rp	Tool length mm Ls	Free height mm H	Shank Ø mm Ds	Angle of inclination α
84.00	28.00		10	5°
116.00	60.00		10	3°



Our engineers are routinely meeting the demands of complex design problems. Having the specific tools needed for your metal forming project can mean the difference between success and failure. Contact us with your unique application for custom tooling.



## Industries & Applications



**BalTec AG**  
Switzerland / Germany

BalTec (UK) Ltd.  
United Kingdom

BalTec France  
France

BalTec Corporation  
USA / Canada / Mexico

BalTec do Brasil  
Brazil

BalTec Machinery (Shanghai) Ltd.  
China

BalTec Italia Srl  
Italia

# BalTec