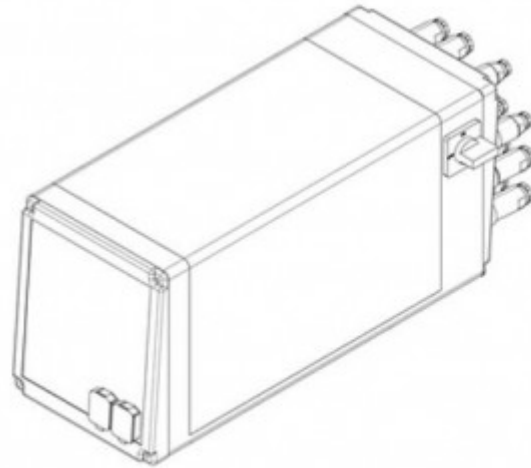


ENE 20R
HPP-25



Data sheet ENE-20R-HPP

Orbital Riveting Unit

Rivet shank Ø: up to 0 mm | Force: up to 9.50 kN | Stroke: up to 40 mm

Key features | Content of delivery

ENE-20R-HPP Orbital Riveting Unit

Forming process: Orbital

Standard Version

REDUCED FORCE

- Nominal force 9.5 kN @ 6 bar (max. operating pressure)
- Rivet shaft up to Ø 7.5 mm (Steel 370 N/mm²)
- Spindle stroke 5 - 40 mm with 0.01mm micrometer scale and mechanical stroke limit
- Machine weight: approx. 122 kg
- Electro-pneumatic drive - power supply @x@V, @Hz
- Permanently lubricated spindle
- head angle 5° for tool length L_s= 84 mm, free height 28 mm
- or
- head angle 3° for tool length L_s= 116 mm, free height 60 mm (specify when ordering)
- Color: light grey RAL 7035

Including

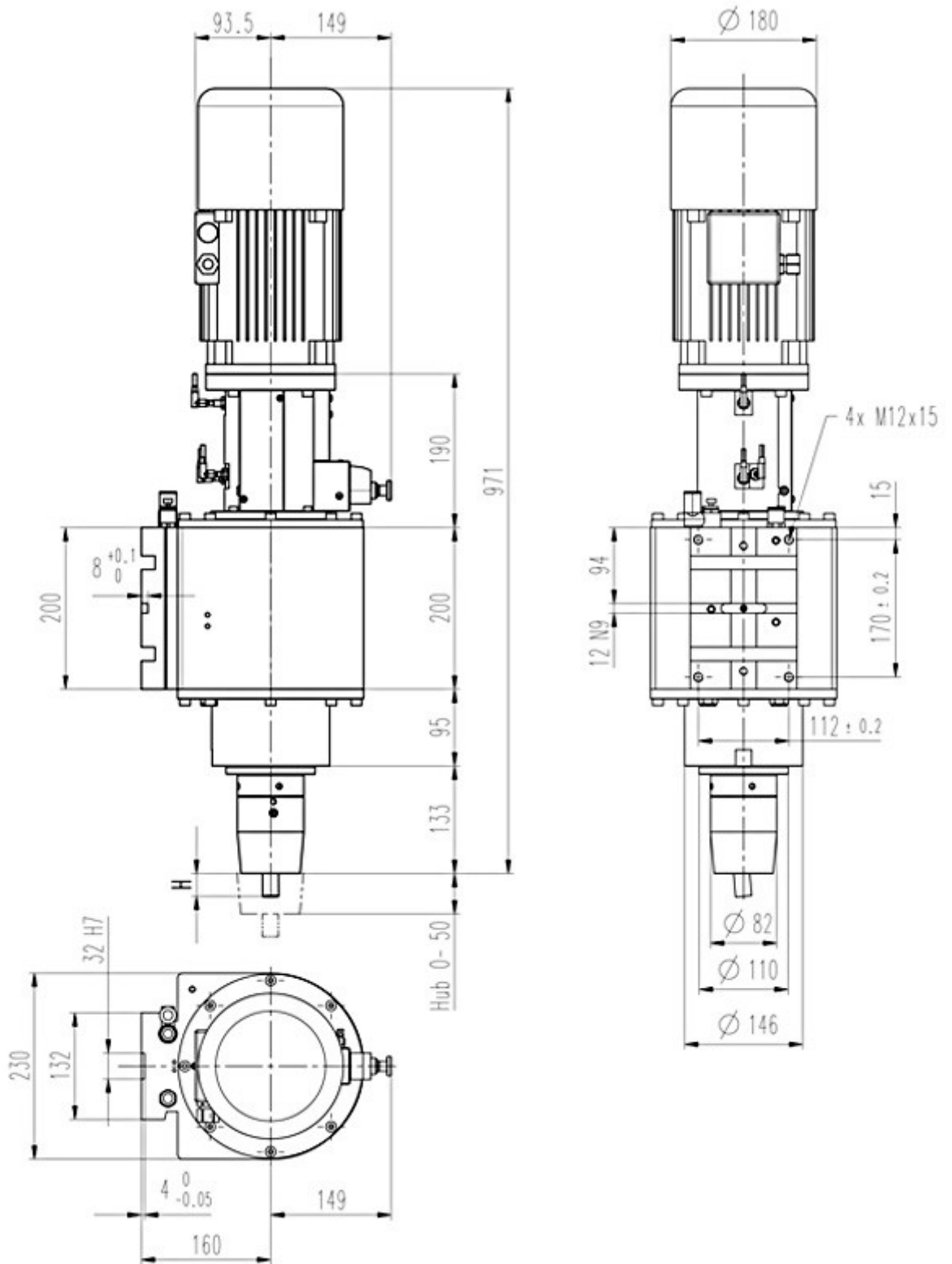
- HPP-010-281, Process-Control HPP-25 for 281R, connections X1, X2, X3, X20, X21
- Incl. SEI-100-281, Distance sensor, Type HPP-25
- Incl. SEI-200-281, Pressure sensors, Type HPP-25
- HPP-X4-02, Connection X4, for emergency-stop, w/out two-hand relay
- HPP-X6-01, Connection X6, external safety / reset
- HPP-X9-01, Connection X9, PLC interface with cable, 5m
- HPP-045-03, Sensor cable extension 3 m, total length 4 m
- FN-042, Sensor upper spindle position (TDC)
- PNP-HPP-281R, Pneumatic service unit, including pressure regulator, filter, lubricator and pneumatic valve package for HPP
- Standard accessories and user manual in the language of destination

Options

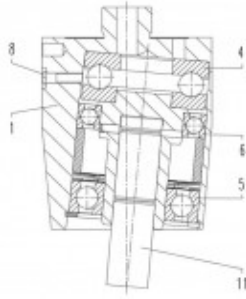
- HPP-X5-01, Connection X5 PVM Module (for control of PNP-PRV-020)
 - PNP-PRV-020, Proportional-pressure control, integrated & ready for operation (requires HPP-X5-01)
 - HPP-DLL-S7L-x, HPP-25 - Siemens S7 Communication link (S7LINK).
- License code to be ordered for each HPP control
- HPP-DLL-PCT, PC-Analysis Software HPP-PCTool, incl. UDP Protocol (on USB Stick)

Subject to change.

Drawing



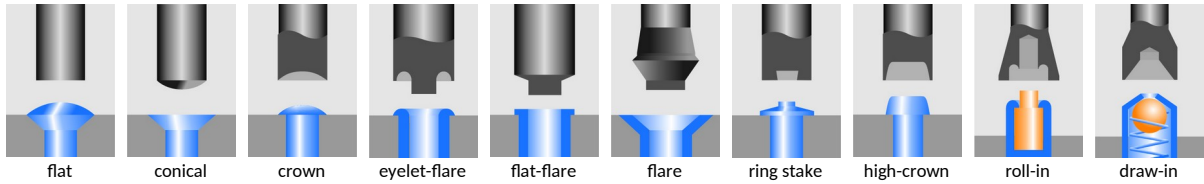
Forming tool lengths



Radius mm Rp	Tool length mm Ls	Free height mm H	Shank Ø mm Ds	Angle of inclination α
84.00	28.00		10	5°
116.00	60.00		10	3°



Our engineers are routinely meeting the demands of complex design problems. Having the specific tools needed for your metal forming project can mean the difference between success and failure. Contact us with your unique application for custom tooling.



Industries & Applications



BalTec AG
Switzerland / Germany

BalTec (UK) Ltd.
United Kingdom

BalTec France
France

BalTec Corporation
USA / Canada / Mexico

BalTec do Brasil
Brazil

BalTec Machinery (Shanghai) Ltd.
China

BalTec Italia Srl
Italia

BalTec