

ENE 20R

Data sheet ENE-20R-015

Orbital Riveting Unit

Rivet shank Ø: up to 0 mm | Force: up to 9.50 kN | Stroke: up to 40 mm

Key features | Content of delivery

ENE-20R-015 Orbital Riveting Unit

Forming process: Orbital

Standard Version

REDUCED FORCE

- Nominal force 9.5 kN @ 6 bar (max. operating pressure)
- Rivet shaft up to Ø 7.5 mm (Steel 370 N/mm²)
- Spindle stroke 5 - 40 mm with 0.01mm micrometer scale and mechanical stroke limit
- Machine weight: approx. 110 kg
- Electro-pneumatic drive - power supply @x@V, @Hz
- Permanently lubricated spindle
- head angle 5° for tool length L_s= 84 mm, free height 28 mm
- or
- head angle 3° for tool length L_s= 116 mm, free height 60 mm (specify when ordering)
- Color: light grey RAL 7035

Including

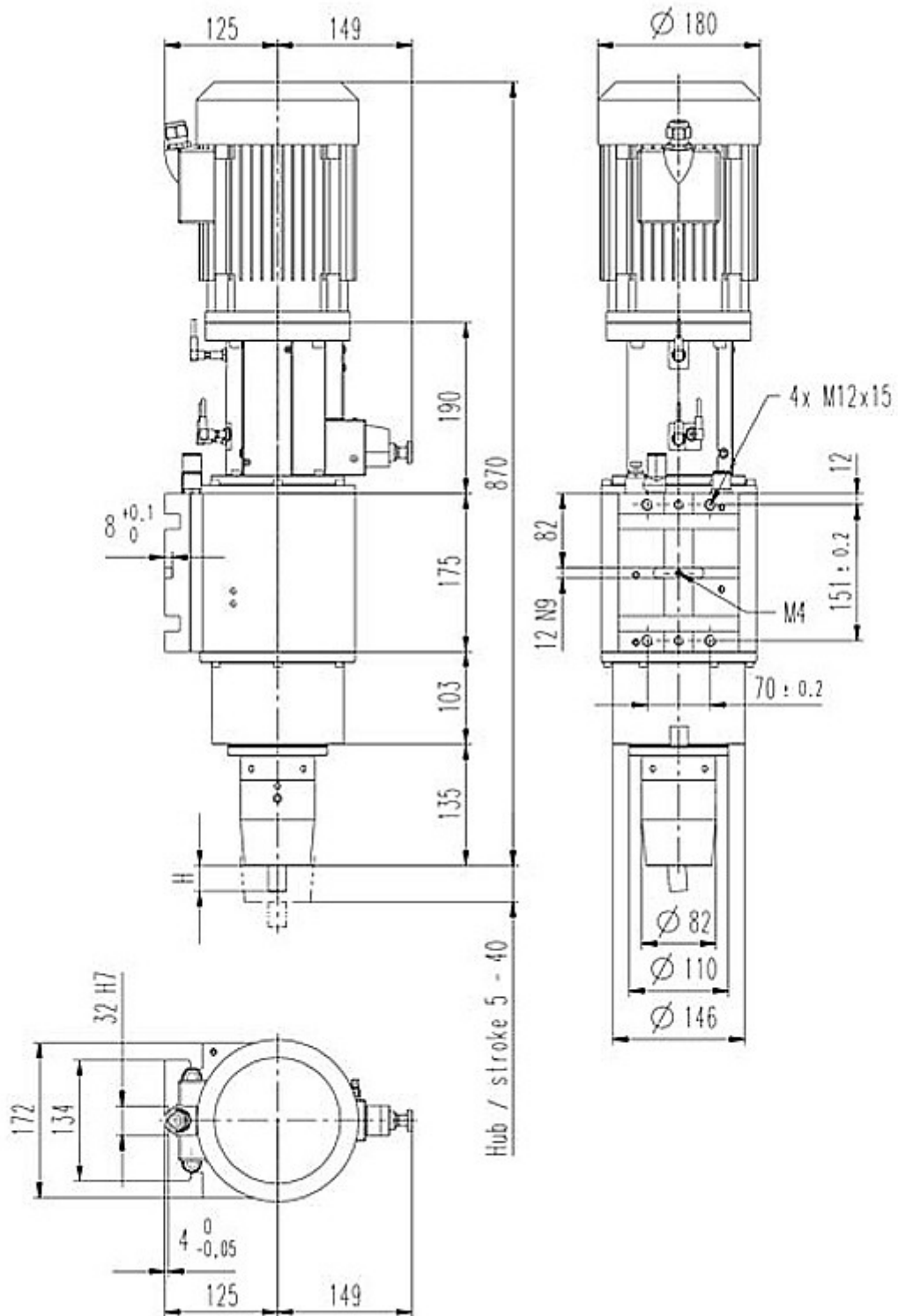
- Standard accessories and user manual in the language of destination

Options

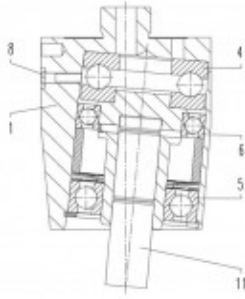
- FN-042 Sensor upper spindle home position (TDC)
- FN-043 Sensor lower spindle position (BDC)

Subject to change.

Drawing



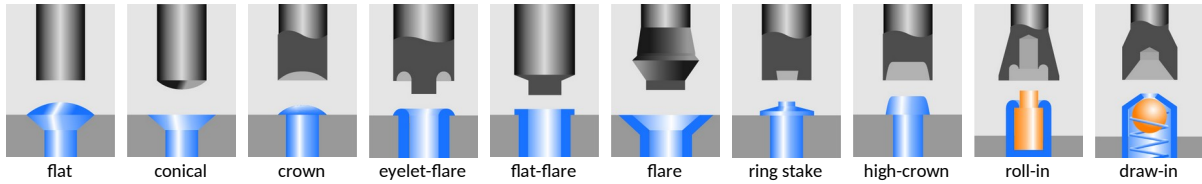
Forming tool lengths



Radius mm Rp	Tool length mm Ls	Free height mm H	Shank Ø mm Ds	Angle of inclination α
84.00	28.00		10	5°
116.00	60.00		10	3°



Our engineers are routinely meeting the demands of complex design problems. Having the specific tools needed for your metal forming project can mean the difference between success and failure. Contact us with your unique application for custom tooling.



Industries & Applications



BalTec AG
Switzerland / Germany

BalTec (UK) Ltd.
United Kingdom

BalTec France
France

BalTec Corporation
USA / Canada / Mexico

BalTec do Brasil
Brazil

BalTec Machinery (Shanghai) Ltd.
China

BalTec Italia Srl
Italia

BalTec