

RLE 35

## Data sheet RLE-35

Roller Forming Unit

Rivet shank Ø: up to 0 mm | Force: up to 33.00 kN | Stroke: up to 50 mm

## Key features | Content of delivery

### RLE-35 Roller Forming Unit

#### Forming process: Roller forming

##### Standard Version

- Nominal force 33 kN @ 6 bar (max. operating pressure)
- Spindle stroke 5 - 50 mm with 0.01 mm micrometer scale and mechanical stroke limit
- Application specific motor (typically: gear motor with brake)
- Spindle rotational speed typically approx. 500/min. (optimal speed will be determined via trials)
- Machine weight: approx. 110 kg (excl. roll forming head)
- Electro-pneumatic drive – power supply @x@V, @Hz
- Permanently lubricated spindle
- Adapter for roll forming head
- Color: light grey RAL 7035

##### Including

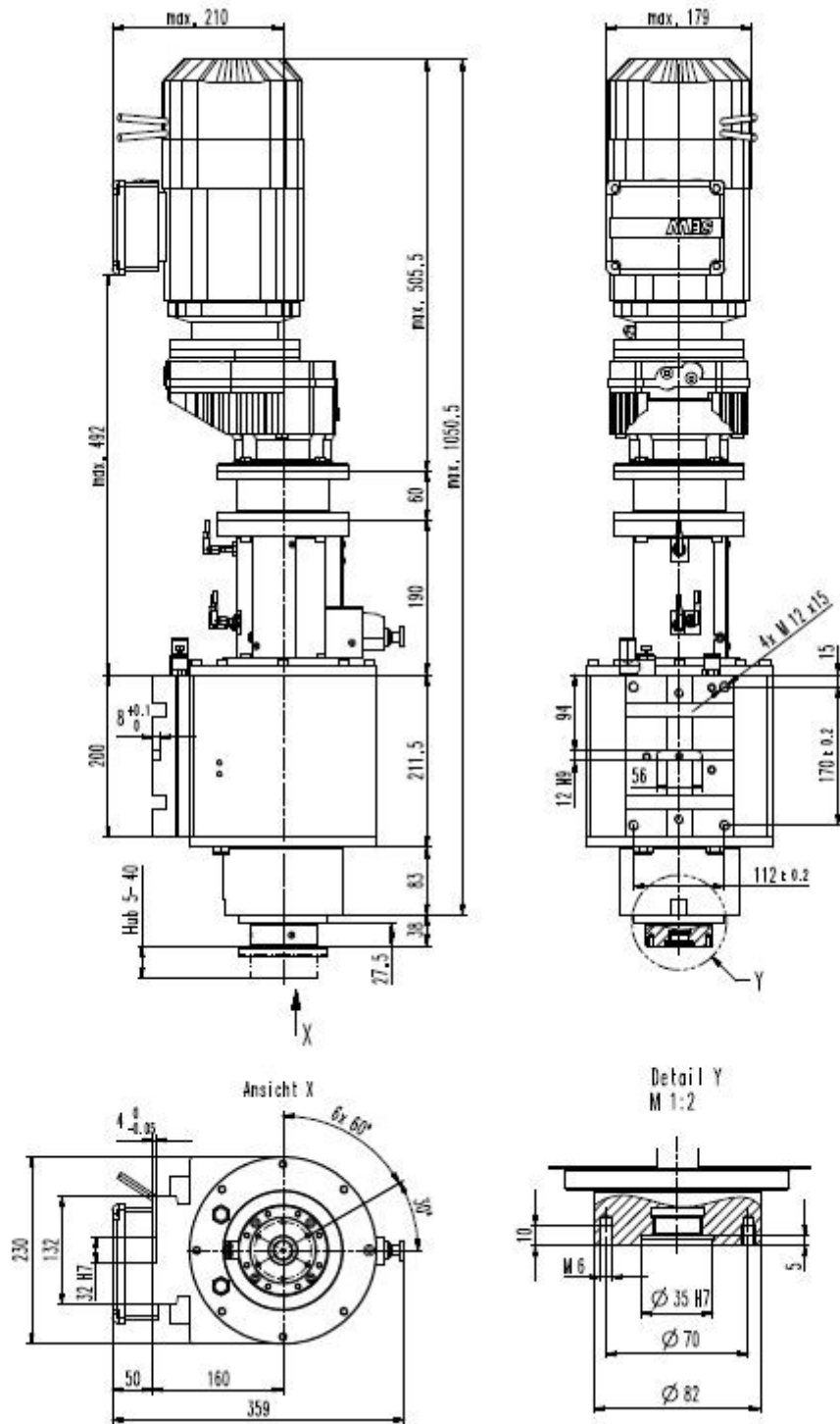
- Standard accessories and user manual in the language of destination
- Declaration for integration of an incomplete machine

##### Options

- SEI-OTH-181 Sensor upper spindle home position (TDC)
- SEI-UTE-000, Sensor for spindle in work position
- Roll forming head  
(Roller forming units incl. roll forming head are only offered after a prior feasibility analysis)  
Please provide following information:
  - Desired spindle (roll forming head) speed
  - Operation with frequency converter yes/no
  - Dimensions (drawing) roll forming head with details of weight, height, diameter and number of rollers

Subject to change.

## Drawing



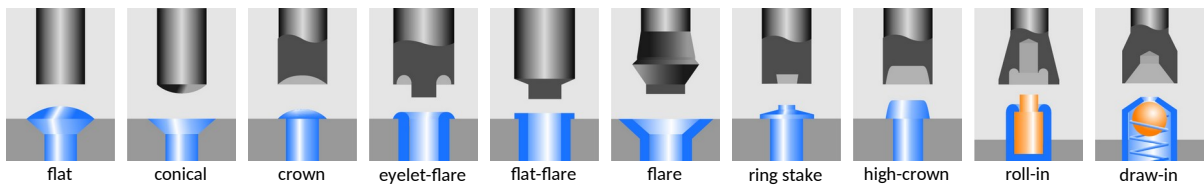
## Forming tool lengths



Radius mm Rp	Tool length mm Ls	Free height mm H	Shank Ø mm Ds	Angle of inclination $\alpha$
{radius}	{length}	{height}	{shaft}	{angle}



Our engineers are routinely meeting the demands of complex design problems. Having the specific tools needed for your metal forming project can mean the difference between success and failure. Contact us with your unique application for custom tooling.



## Industries & Applications



**BalTec AG**  
Switzerland / Germany

BalTec (UK) Ltd.  
United Kingdom

BalTec France  
France

BalTec Corporation  
USA / Canada / Mexico

BalTec do Brasil  
Brazil

BalTec Machinery (Shanghai) Ltd.  
China

BalTec Italia Srl  
Italia

# BalTec