

RLE 06

Data sheet RLE-06

Roller Forming Unit

Rivet shank Ø: up to 0 mm | Force: up to 6.60 kN | Stroke: up to 30 mm

Key features | Content of delivery

RLE-06 Roller Forming Unit

Forming process: Roller forming

Standard Version

- Nominal force 6.6 kN @ 6 bar (max. operating pressure)
- Spindle stroke 5 - 30 mm with 0.01 mm micrometer scale and mechanical stroke limit
- Application specific motor (typically: gear motor with brake)
- Spindle rotational speed typically approx. 500/min. (optimal speed will be determined via trials)
- Machine weight: approx. 30 kg (excl. roll forming head)
- Electro-pneumatic drive – power supply @x@V, @Hz
- Permanently lubricated spindle
- Adapter for roll forming head
- Color: light grey RAL 7035

Including

- Standard accessories and user manual in the language of destination
- Declaration for integration of an incomplete machine

Options

- SEI-OTH-181 Sensor upper spindle home position (TDC)
- SEI-UTE-000, Sensor for spindle in work position

- Roll forming head

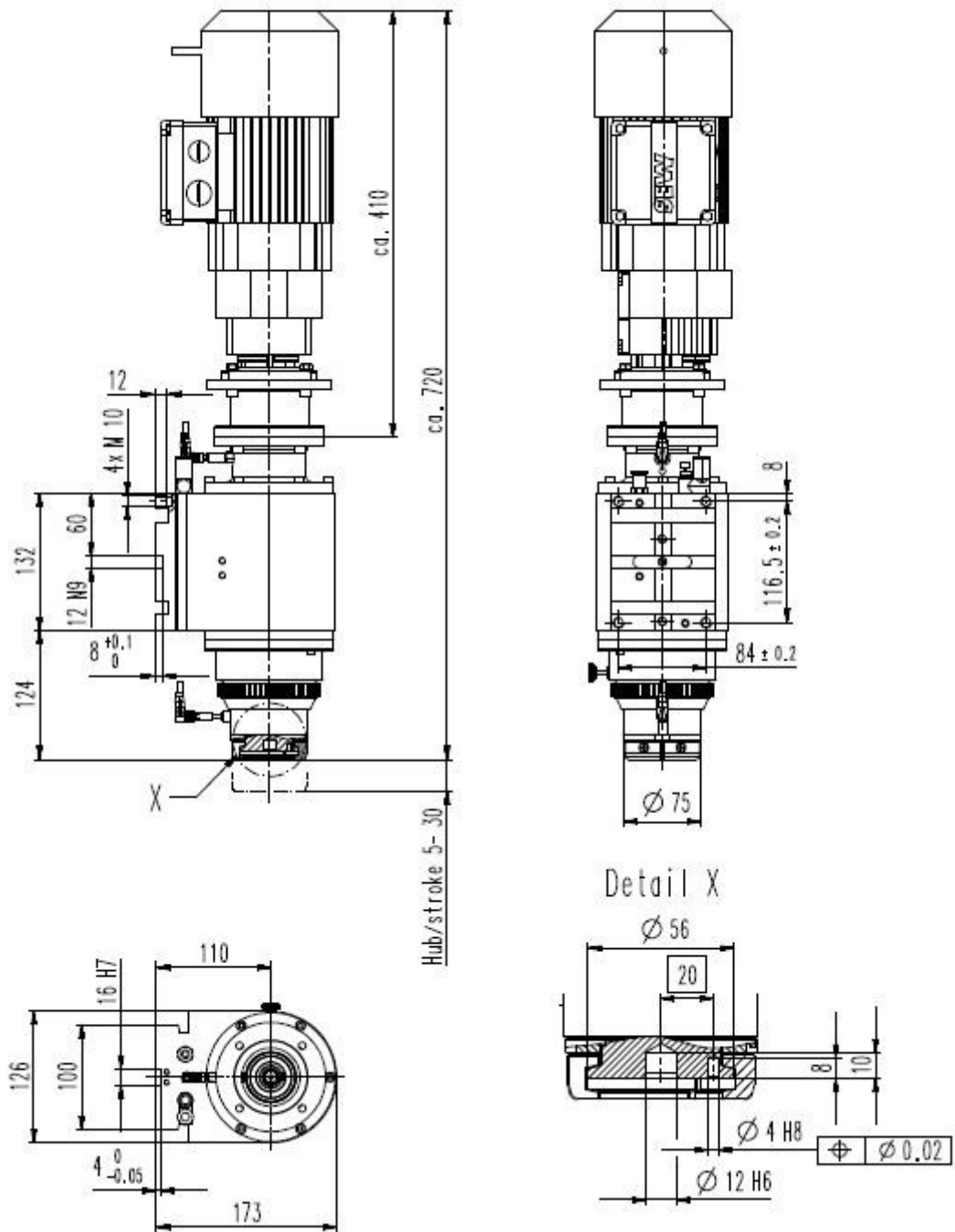
(Roller forming units incl. roll forming head are only offered after a prior feasibility analysis)

Please provide following information:

- Desired spindle (roll forming head) speed
- Operation with frequency converter yes/no
- Dimensions (drawing) roll forming head with details of weight, height, diameter and number of rollers

Subject to change.

Drawing



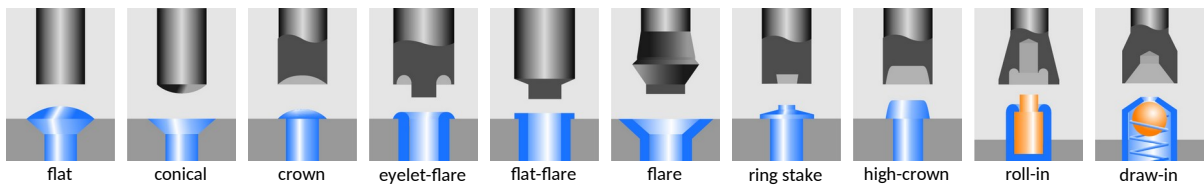
Forming tool lengths



Radius mm Rp	Tool length mm Ls	Free height mm H	Shank Ø mm Ds	Angle of inclination α
{radius}	{length}	{height}	{shaft}	{angle}



Our engineers are routinely meeting the demands of complex design problems. Having the specific tools needed for your metal forming project can mean the difference between success and failure. Contact us with your unique application for custom tooling.



Industries & Applications



BalTec AG
Switzerland / Germany

BalTec (UK) Ltd.
United Kingdom

BalTec France
France

BalTec Corporation
USA / Canada / Mexico

BalTec do Brasil
Brazil

BalTec Machinery (Shanghai) Ltd.
China

BalTec Italia Srl
Italia

BalTec