

RNR 331  
HPP-25

## Data sheet RNR331-HPP

Rotary Indexing Table Riveting Machine

Rivet shank Ø: up to 16 mm | Force: up to 33.00 kN | Stroke: up to 50 mm

## Key features | Content of delivery

### RNR331-HPP Rotary Indexing Table Riveting Machine

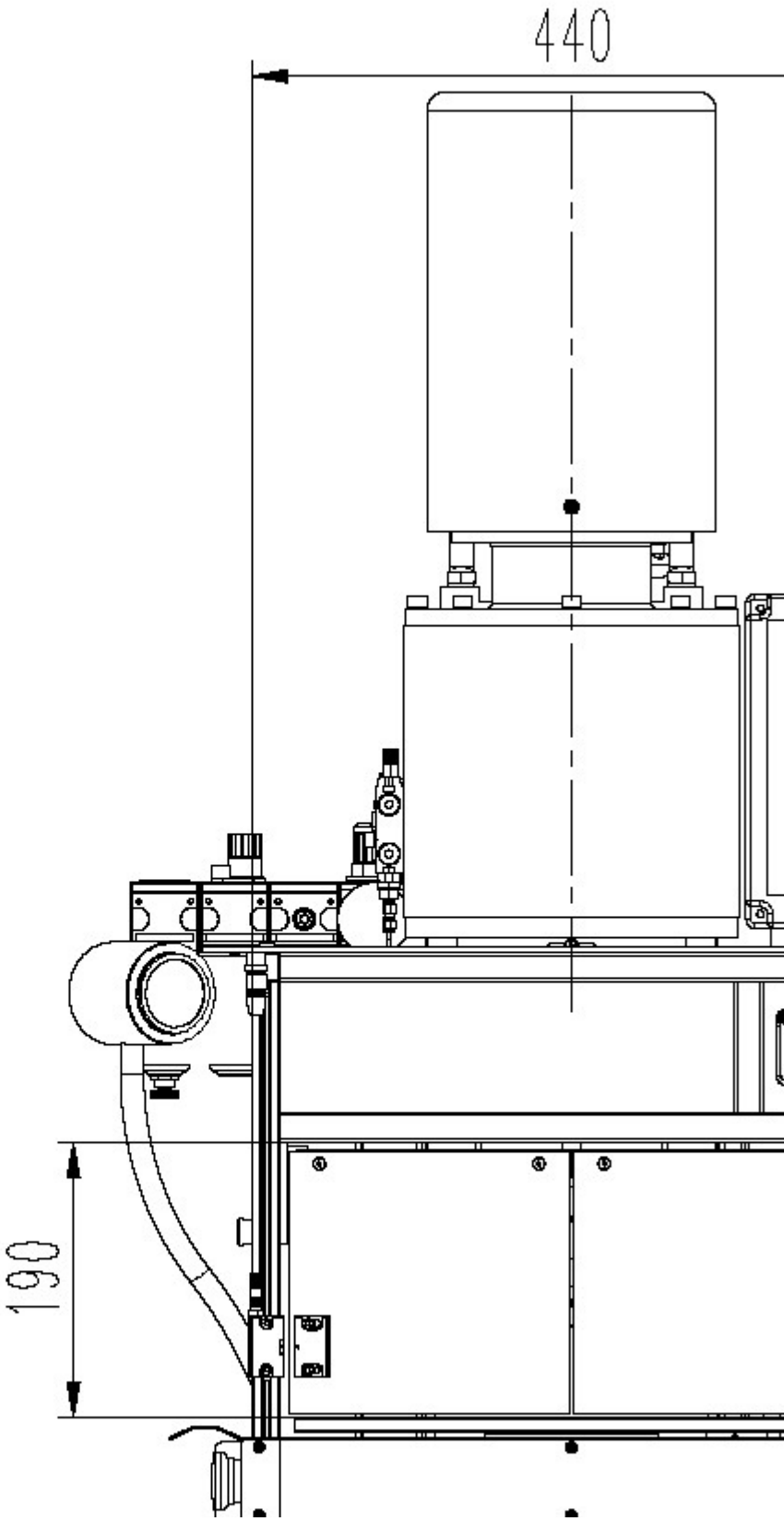
#### Forming process: Radial

#### Standard Version

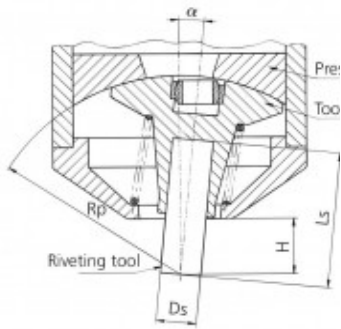
- RNR331 with HPP-25
- Complete work station; column and riser plate
- Electrical rotary indexing table with 6 stations (optional with 4)
- Safety enclosure
- Two hand start button including safety relay or foot pedal
- With pneumatic ejection of the riveted parts on request
- Standard pneumatics
- Work lamp
  
- Supply voltage 3x230-280V, 50/60Hz or 3x400/480V, 50/60Hz (other supply voltages on request)
- rivet mushroom & pressure shell Rp=@ mm / Ls=@ mm
- Color: Light grey RAL 7035

Subject to change.

Drawing



## Forming tool lengths

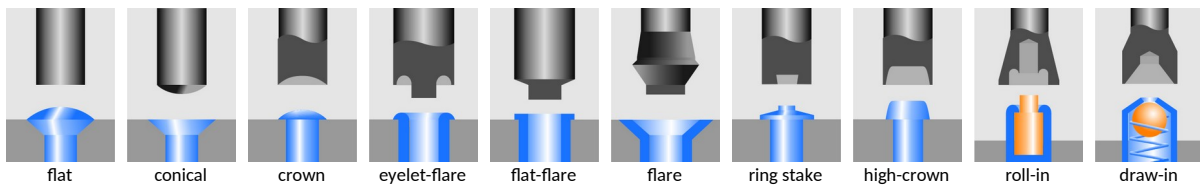


| Radius mm<br>Rp | Tool<br>length mm<br>Ls | Free<br>height mm<br>H | Shank Ø<br>mm Ds | Angle of<br>inclination α |
|-----------------|-------------------------|------------------------|------------------|---------------------------|
| 100.00          | 68.00                   | 28.00                  | 10               | 5° 37'                    |
| 116.00          | 84.00                   | 44.00                  | 10               | 4° 47'                    |
| 132.00          | 100.00                  | 60.00                  | 10               | 4° 10'                    |
| 148.00          | 116.00                  | 76.00                  | 10               | 3° 41'                    |
| 170.00          | 135.00                  | 98.00                  | 10               | 3° 10'                    |
| 191.00          | 159.00                  | 119.00                 | 10               | 2° 49'                    |
| 240.00          | 208.00                  | 168.00                 | 10               | 2° 13'                    |

## Forming tool profile



Our engineers are routinely meeting the demands of complex design problems. Having the specific tools needed for your metal forming project can mean the difference between success and failure. Contact us with your unique application for custom tooling.



## Industries & Applications



**BalTec AG**  
Switzerland / Germany

BalTec (UK) Ltd.  
United Kingdom

BalTec France  
France

BalTec Corporation  
USA / Canada / Mexico

BalTec do Brasil  
Brazil

BalTec Machinery (Shanghai) Ltd.  
China

BalTec Italia Srl  
Italia

# BalTec