

RNC 331 TF

Data sheet RNC331-TF-4040

Coordinate Machine for Linear Transfer

Rivet shank Ø: up to 16 mm | Force: up to 33.00 kN | Stroke: up to 50 mm

Key features | Content of delivery

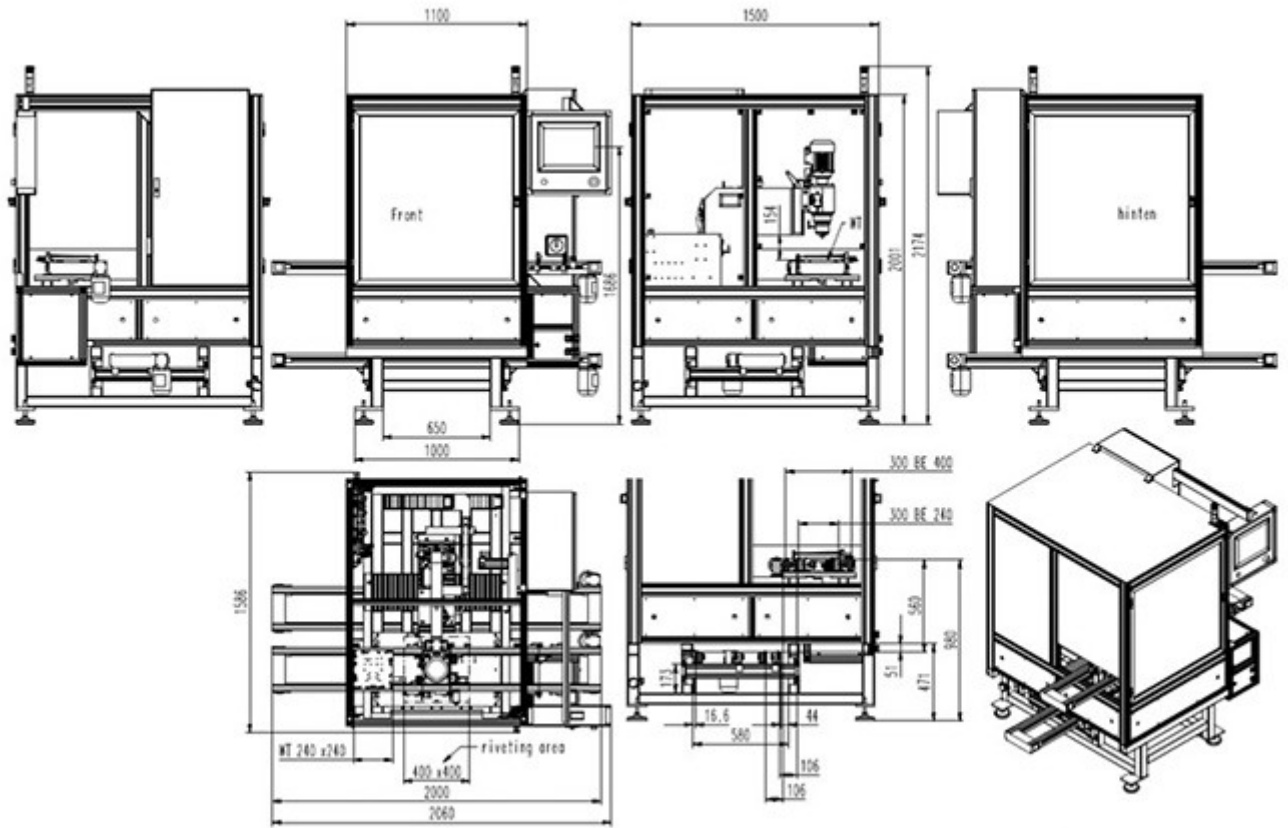
RNC331-TF-4040 Coordinate Machine for Linear Transfer

Forming process: Radial

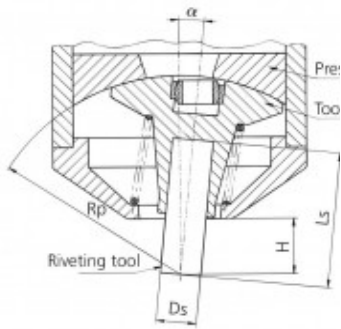
- Radial coordinate riveting machine RNC 331 for linear transfer
- XY table travel: X= 400, Y=400 mm
- Pneumatic force generation
- Touchscreen
- Work cell with safety enclosure
- Process monitoring and controlling with process control HPP-25
- 63 riveting programs can be addressed and saved
- 6 different control parameters / 45 riveting modes
- Integrated logger function, all data are recorded
- Ethernet und USB interfaces
- 5.7" touchscreen LED backlit

Subject to change.

Drawing



Forming tool lengths

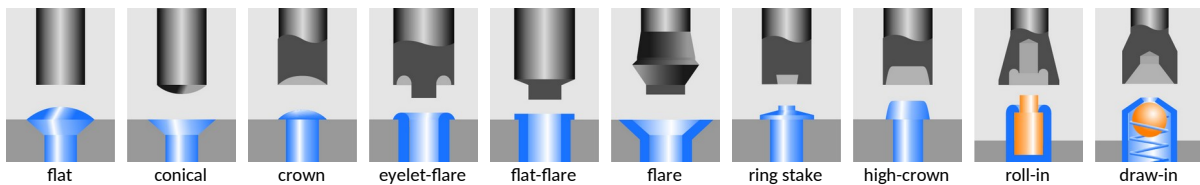


Radius mm Rp	Tool length mm Ls	Free height mm H	Shank Ø mm Ds	Angle of inclination α
100.00	68.00	28.00	10	5° 37'
116.00	84.00	44.00	10	4° 47'
132.00	100.00	60.00	10	4° 10'
148.00	116.00	76.00	10	3° 41'
170.00	135.00	98.00	10	3° 10'
191.00	159.00	119.00	10	2° 49'
240.00	208.00	168.00	10	2° 13'

Forming tool profile



Our engineers are routinely meeting the demands of complex design problems. Having the specific tools needed for your metal forming project can mean the difference between success and failure. Contact us with your unique application for custom tooling.



Industries & Applications



BalTec AG
Switzerland / Germany

BalTec (UK) Ltd.
United Kingdom

BalTec France
France

BalTec Corporation
USA / Canada / Mexico

BalTec do Brasil
Brazil

BalTec Machinery (Shanghai) Ltd.
China

BalTec Italia Srl
Italia

BalTec