

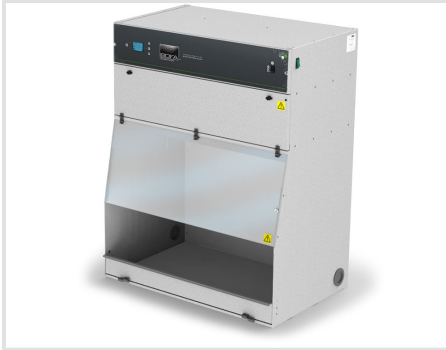


A WORLD LEADER IN FUME EXTRACTION TECHNOLOGY

FumeCAB 1000 iQ T

ELECTRONICS, PHARMACEUTICAL & MEDICAL

Last Updated on 02.02.2022



The complete cabinet fume extraction solution for a broad range of applications, with a taller, larger working area.

Partial enclosures are becoming the recommended extraction option for a variety of applications. Government bodies, including the HSE in the UK are now making direct reference through guidance documentation such as the new HSG258 to their use.

The FumeCAB 1000 iQ T integrated filtration system has been designed to comply with the latest regulations. It provides users with an extra depth of working space for taller applications. BOFA's Intelligent Operating System (iQ) and ultra-bright slimline energy-saving LED lights come as standard, making this system an ideal choice of fume extraction for a wide variety of applications.

More information about the [Intelligent Operating System \(iQ\)](#).

Technology



Intelligent Operating System (iQ)



HEPA filter



Automatic flow control technology



Reverse flow air technology



Advanced carbon filter technology



Patented technology



ProTECT service plan



SureCHECK quality standard

Key Features of the FumeCAB 1000 iQ T

Certified to BS 7989:2001 - recirculatory filtration fume cabinet specification
Standard

Reverse flow filter technology
Standard

Energy saving ultra-bright slim line LED lighting
Standard

Combined HEPA / gas filter incorporating ACF technology
Standard

Real time airflow reading
Standard

Ensures operational compliance with HSG258 guidelines
Standard

Automatic flow control system
Standard

Twin coated anti UV / anti splash protective polycarbonate visor
Standard

Filters with long life and low replacement cost
Standard

Independent filter condition monitoring, display and warnings
Standard

Contact BOFA at <https://bofainternational.com/en/contact/>

<https://bofainternational.com/en/portal/datasheets/fumecab-1000-iq-t/>



Approvals: REACH and RoHS. See individual product technical data for specific accreditations

High contrast display
Standard

Remote diagnostics via USB
Standard

Side entry blind grommets for equipment access
Standard

UV lighting
Optional

'Run safe' operation
Standard

Large and extra deep working area
Standard

VOC gas sensor (Volatile Organic Compound)
Optional

Optional filter medias
Optional

Technical specification

1. iQ display

2. On / off switch

3. Filter compartment / visor hinges

4. Cable entry grommet

5. Transparent visor

6. USB port

7. Power cable inlet

8. Internal LED lighting

9. Exhaust outlet

10. Cooling air inlet

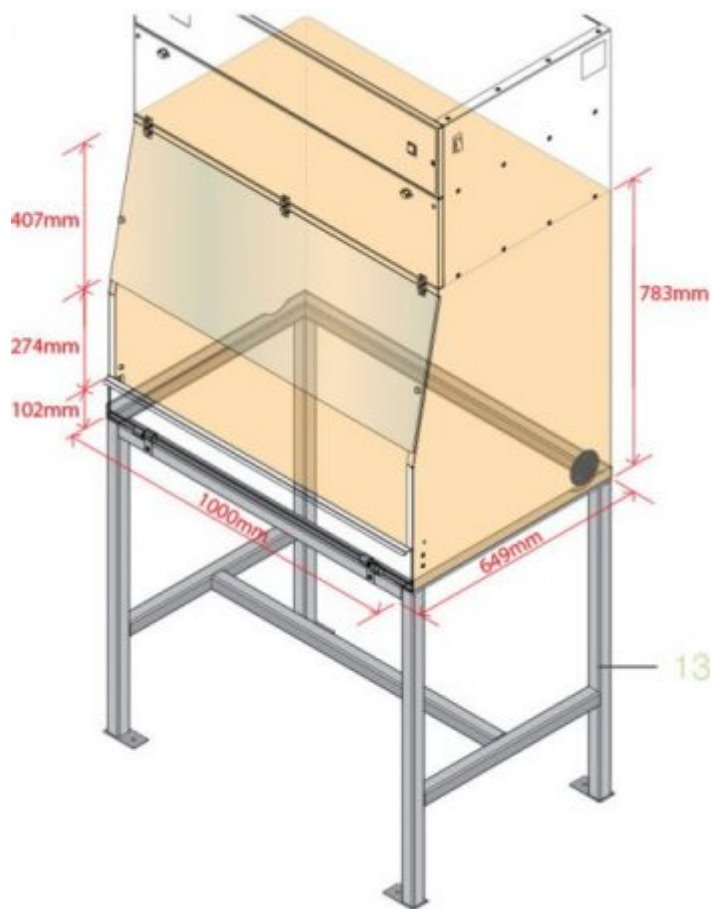
11. Standby button

12. Optional internal UV lighting

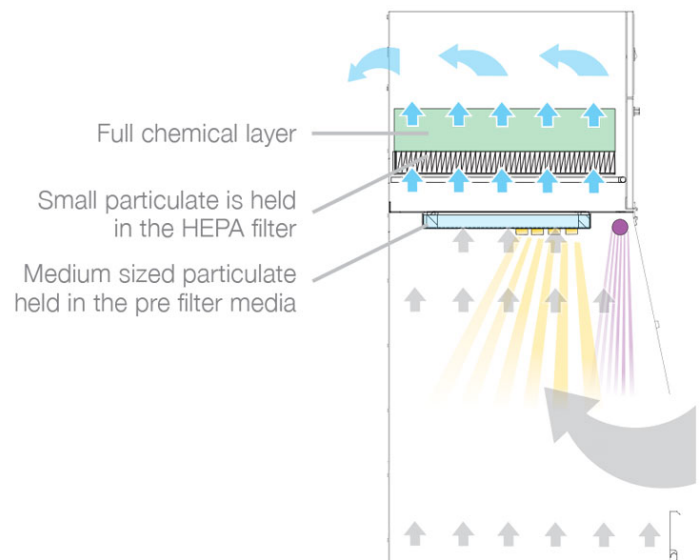
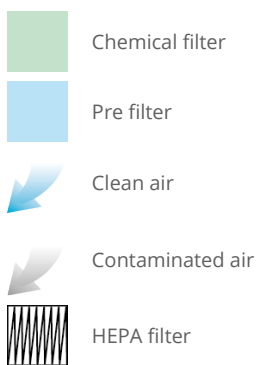


Internal work area and optional stand

13. Stand (optional)



Airflow through filters



Technical data

	EU	US
Dimensions (HxWxD)	1278 x 1000 x 660mm	50.3 x 39.4 x 26"

Technical data

Opening dimensions (HxW)	285 x 1000mm	11.2 x 39.4"
Cabinet construction	Powder coated mild steel	Powder coated mild steel
Face velocity	0.4m/s (410m ³ /h)	78.7ft/min
Max face velocity	0.6m/s (616m ³ /h)	118ft/min
Electrical data	230v 50/60Hz Full load current: 6 amps	115v 50/60 Hz Full load current: 10amps
Noise level	< 60dBA (at typical operating speed)	< 60dBA (at typical operating speed)
Weight	128kg	282lbs
Exhaust outlet (optional)	150mm	150mm
Approvals	CE	CE

Pre-filter specifications

Filter media construction	Borosilicate pleat
Filter housing	Cardboard
Filter efficiency	99% @ 0.3 microns

Combined HEPA / gas filter specifications

HEPA filter media	Borosilicate
HEPA media construction	Maxi pleat construction with glue bead spacers
Filter housing	Zintec mild steel
Treated activated carbon	17kgs (37.4 lbs)
Filter efficiency	99.997% @ 0.3 microns

Optional stand specifications

Dimensions (HxWxD)	943 x 1029 x 669mm / 37.1 x 40.5 x 26.3"
Stand construction	Powder coated mild steel

Unit part numbers and options

Model	Voltage	Part no.	VOC monitor	UV lights	Stand
FumeCAB 1000 iQ Powder coated	230v	E2252A	A2003	A2010	A1060054
FumeCAB 1000 iQ Powder coated	115v	E2251A	A2003	A2010	A1060054

Replacement filter part numbers

Pre-filter	A1030249
Combined filter	A1030250

Datasheet correct at time of publishing.

Where applicable, the carbon used in BOFA units is capable of removing a wide range of VOCs, however it is the responsibility of the user to ensure the carbon is suitable for their application. For specific applications, please contact us for details.

Important Notice: *Many factors beyond the control of BOFA can affect the use and performance of BOFA products in a particular application, including the conditions under which the product is used. Since these factors are uniquely within the user's knowledge and control, it is essential the user evaluate the products to determine whether the product is fit for the particular purpose and suitable for the user's application. All products, product specifications, availability and data are subject to change without notice, and may vary by region or country.*

Think before you print! Please consider the environment before printing this document.

